

## WARNING

Gasoline and oil should be mixed at temperatures above freezing. Below freezing, gas and oil mix with difficulty. Mix with care or damage to engine could result.

Use only a good grade of SAE 30 or 40 Wt. nondetergent automotive engine or 2-cycle motor oil. Do not use light duty oils or multiviscosity oils.

Use a good grade of regular, fresh gasoline only. Do not use gasoline left over from summer uses.

Mix the gasoline and oil thoroughly in a clean container kept for this purpose only. Best way to insure a good mix is to add oil to an empty or about half-full container of gasoline and then fill with gasoline and mix thoroughly. Pour the mixed fuel from the container into the gasoline tank. Use a funnel with a fine screen strainer when filling tank. Fill tank slowly to avoid air pockets and spillage.

## OIL AND ADDITIVES

Fuels containing additives are not recommended for use in the Ski-Daddler engines. Use only oil that is recommended for use in air-cooled, 2-cycle engines such as an AMF oil or an equivalent non-detergent motor oil (see FUEL MIXTURE chart).

## CAUTION

Some outboard motor oils contain a detergent that works well in outboard motors that operate at much lower temperatures because they are water cooled. However, the detergents may cause spark plug fouling in the air-cooled engines used on the Ski-Daddler.

## Note

A small amount of Dri-Gas or equivalent may be added to the fuel system if moisture from condensation is evident.

## REPAIRMAN'S REFERENCE WIRING DIAGRAM

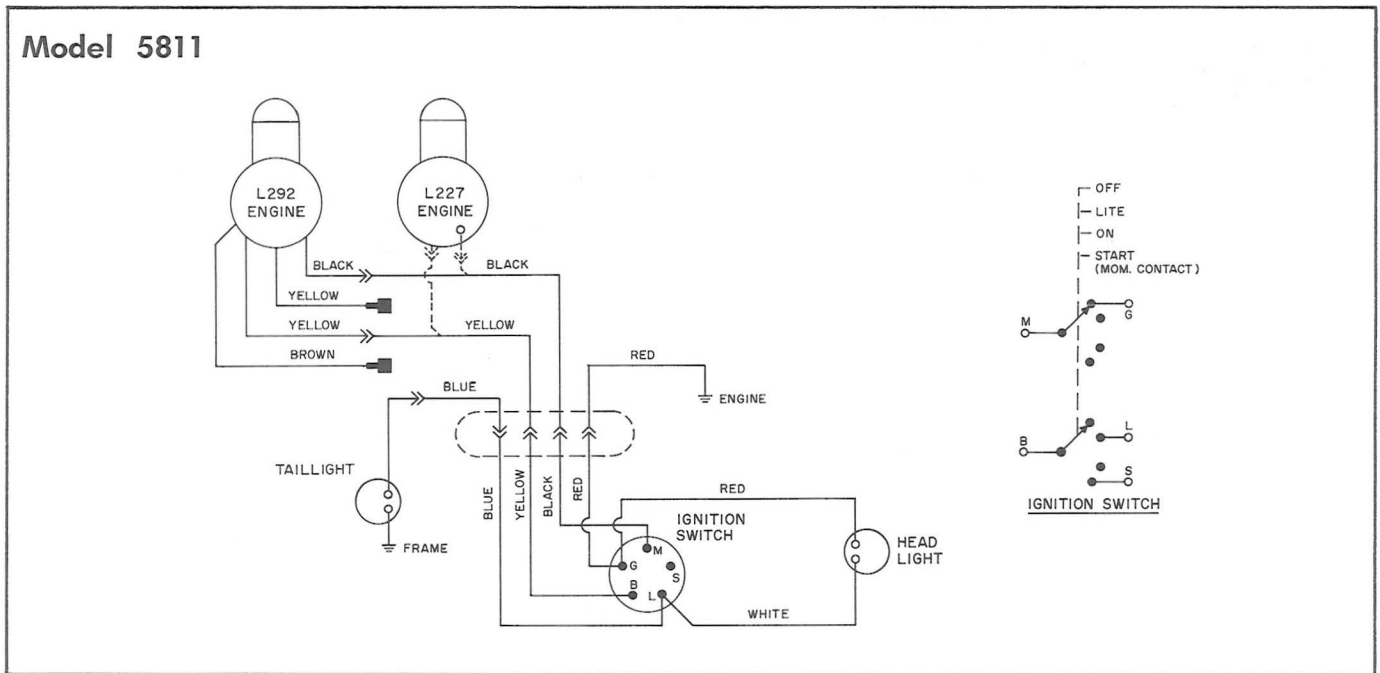


Figure 20

## REPAIRMAN'S REFERENCE WIRING DIAGRAM

**Models 5814 and 5815**

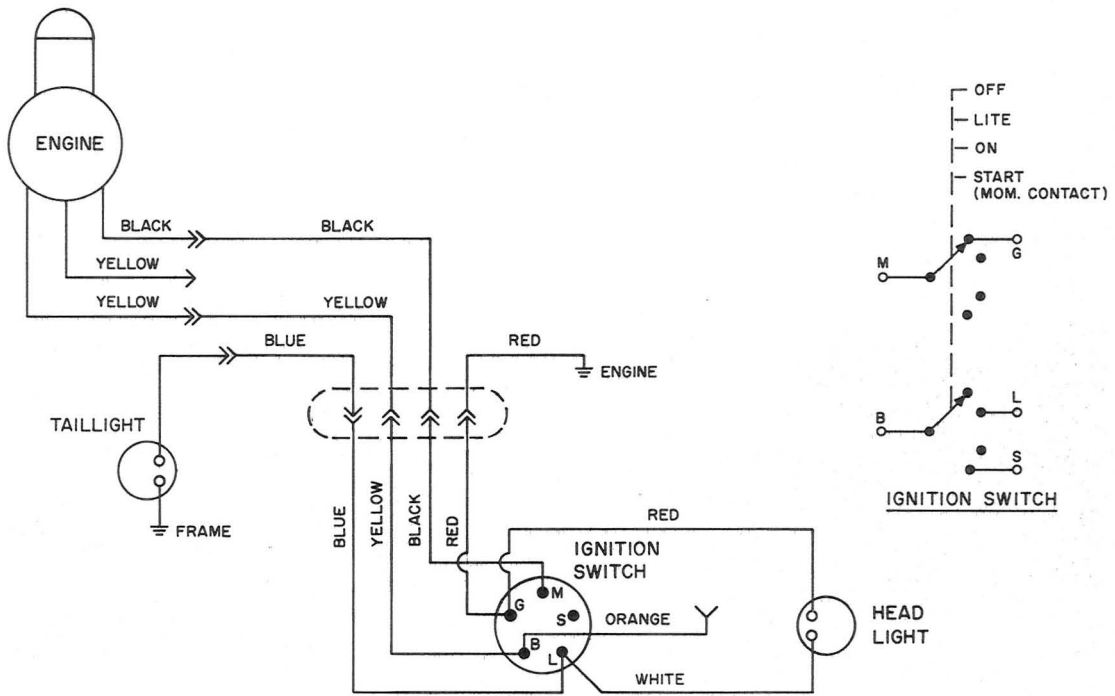


Figure 21

## REPAIRMAN'S REFERENCE WIRING DIAGRAM

**Models 5814 and 5815**  
(WITH ELECTRIC STARTER)

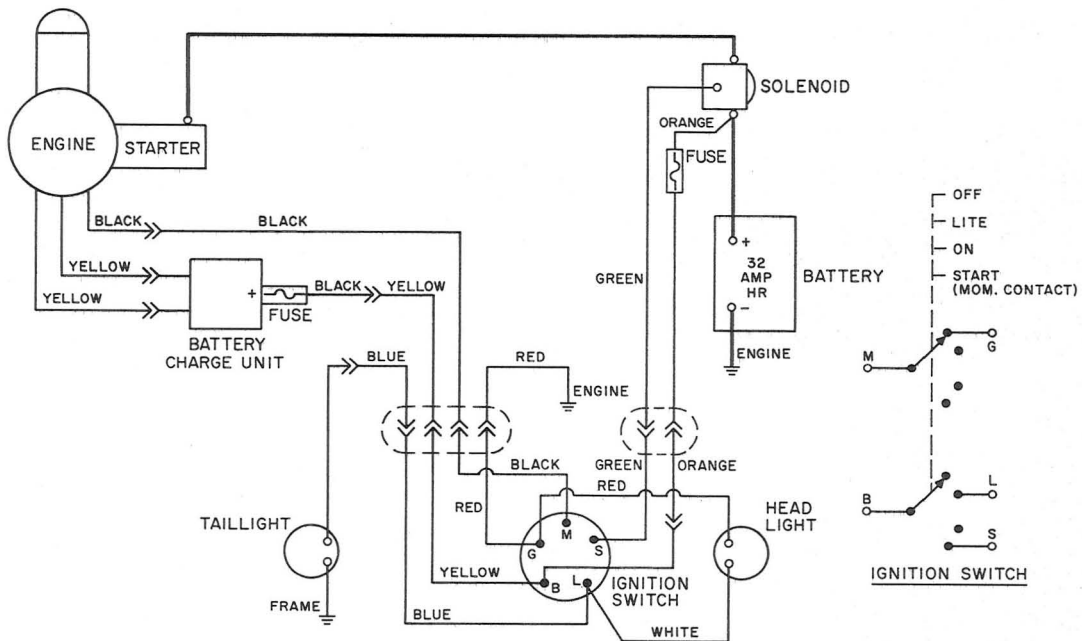


Figure 22

## REPAIRMAN'S REFERENCE WIRING DIAGRAM

### Model 5818

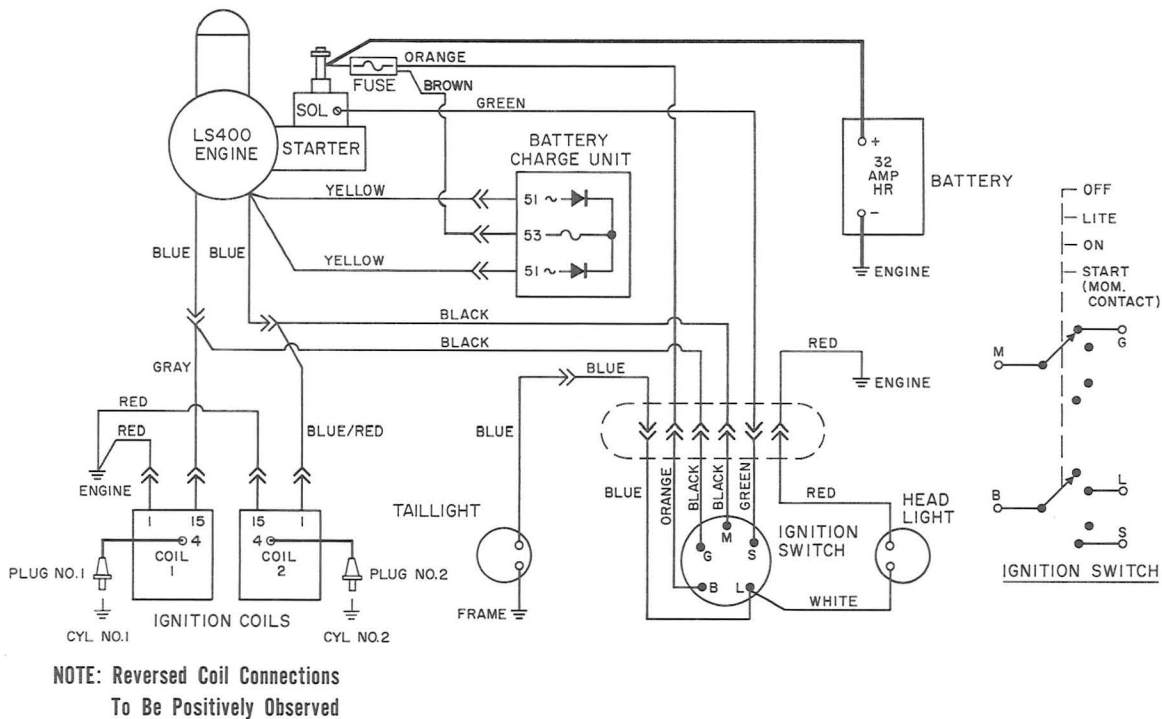


Figure 23

## REPAIRMAN'S REFERENCE WIRING DIAGRAM

### Model 5813

**NOTE:**  
ALL WIRES ARE TO BE NO. 18 GA.  
STRANDED WITH THERMO-PLASTIC  
COVERING.

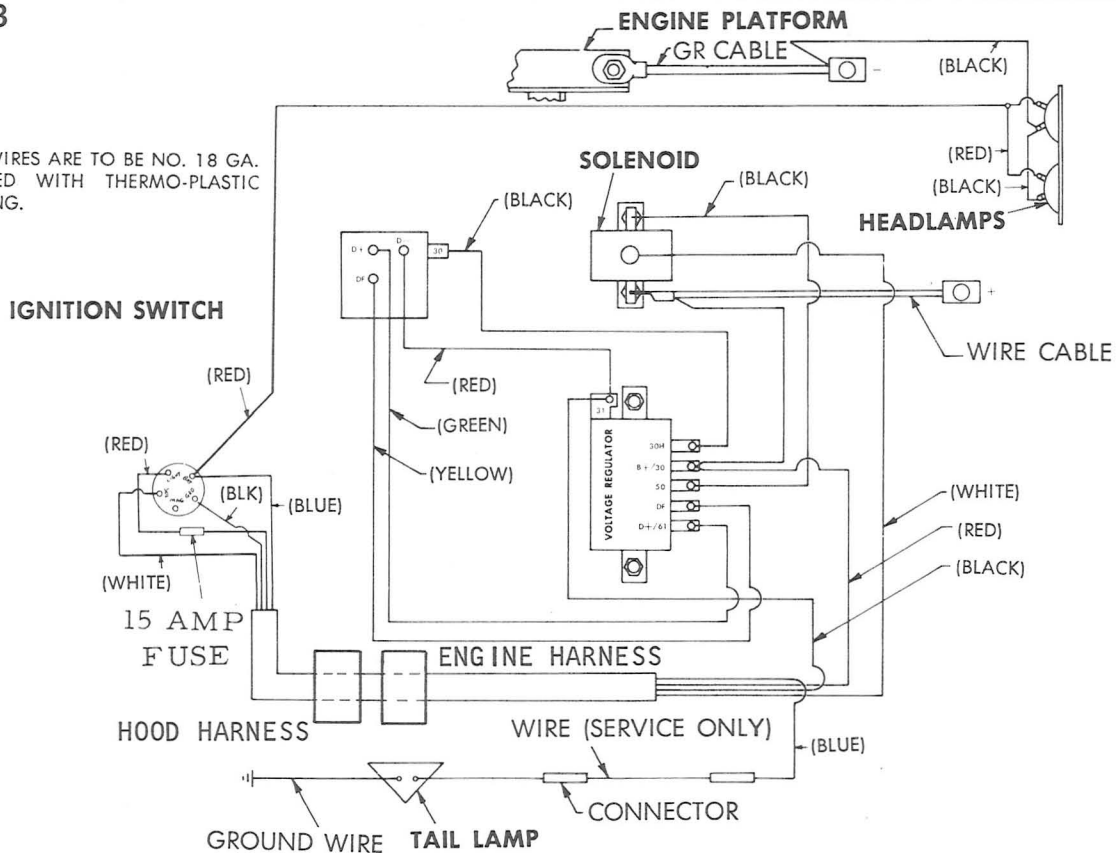


Figure 24