

1973 FORMULA II

290 Model No. 0250-032
Engine Model No. T7A290RX

PARTS MANUAL



Ski & Steering

Ref. No.	Part No.	Qty.	Description
1	0191-057	2	Spindle
2	0191-108	2	Saddle - Ski
3	0191-109	2	Spring Assy. - Ski
4	0191-087	2	Skag
5	0191-110	2	Ski
6	0116-505	1	Handlebar Pad
7	0105-105	1	Handlebar Clamp - Bottom
8	0191-015	1	Steering Support
9	0109-523	1	Control Handle - Throttle
10	0109-485	1	Cap - Throttle Handle
11	0109-487	1	Control Lever
12	0109-508	1	Switch, Tether/Stop
13	0116-509	1	Insert - Throttle Control
14	0123-230	1	Lever Pin 1/4 x 1-5/8
15	0123-231	1	Retaining Ring - Lever Pin
16	0187-011	1	Throttle Cable

Ref. No.	Part No.	Qty.	Description
17	0105-118	1	Control Handle - Brake
18	0109-418	1	Line, Pressure - Brake
19	0109-419	1	Master Cylinder
20	0109-422	1	Cylinder Cover - Brake
21	0123-061	1	Pin Drive 5/32 x 1-1/4 - Brake Handle
22	0191-029	1	Tie Rod Assy.
23	0105-049	1	Rod End, R.H. Thd.
24	0105-093	1	Rod End, L.H. Thd.
25	0191-111	1	Steering Post Assy.
26	0191-069	1	Cable Assy. (Steering)
27	0191-006	1	Cable Mtg. Assy.
28	0191-112	4	Pulley
29	0191-052	1	Brake Disc
30	0109-412	1	Brake Hub
31	0191-058	1	Caliper Brake Assy.

Drive Train

Ref. No.	Part No.	Qty.	Description
1	0101-076	1	Key, 3/16 x 1/4 x 3
2	0107-002	1	Gasket, Flange Plate
3	0107-003	1	Seal, 'O' Ring .093
4	0107-026	2	Flange Plate, 1" Bearing (Round)
5	0107-074	2	Bearing, 1" W/Lock Collar
6	0191-038	1	Shaft, Driven Clutch
7	0191-054	2	Flange Plate, 1" Bearing - Clutch End
8	0107-002	1	Gasket - Flange Plate
9	0107-003	1	Seal, 'O' Ring .093
10	0107-026	4	Plate, Flange - 1" Bearing
11	0107-074	1	Bearing W/Lock Collar

Ref. No.	Part No.	Qty.	Description
13	0191-050	1	Drive Shaft Assy. W/Sprockets
14	0107-228	1	Pad, Tightener - Dropcase
15	0191-001	1	Bushing, Tightener Chain
16	0191-036	1	Post, Chain Tightener
17	0191-088	1	Spring, Chain Tightener
18	0191-092	1	Chain Tightener, Link Assy.
19	0123-417	88	Rivet, Clip - Solid
20	0102-123	88	Clip, Wear
21	0102-117	44	Cleat
22	0120-136	44	Ice Stud
23	0123-345	44	Rivet, Cleat - Solid
24	0102-113	1	Track Assy., Bonded Same as EXT

Undercarriage

Same as EXT Except as Underlined

Ref. No.	Part No.	Qty.	Description
1	0104-431	1	Frame
2	0104-187	2	Hi-Fax
3	0104-256	2	Bumper Pad - Lower Rear
4	0104-073	4	Shock Pad
5	<u>0191-105</u>	1	Front Arm Assy.
6	0104-107	4	Bushing
7	0123-528	2	Clevis Pin - Turnbuckle Assy.
8	0123-576	2	Turnbuckle Body
9	0123-574	2	Eyebolt - Turnbuckle Assy.
10	0123-575	2	Eyebolt Assy. - Turnbuckle Assy.
11	0104-352	1	Spring - Right

Ref. No.	Part No.	Qty.	Description
12	0104-353	1	Spring - Left
13	0110-266	2	Arm W/Bushing - Rear, Lower
14	0104-108	2	Pivot Insert
15	0106-173	1	Shock Absorber
16	0104-062	2	Zerk
17	0104-092	2	Bushing - Spring Guide
18	<u>0191-106</u>	1	Rear Arm
19	0104-214	2	Wheel
20	0104-364	1	Axle - Rear, Upper
21	<u>0191-101</u>	2	Axle - Inner
22	0104-354	1	Axle - Front Arm

Body & Related Items

Ref. No.	Part No.	Qty.	Description
1	0106-336	1	Passenger Handlegrip
2	0116-515	1	Snowflap
3	0116-520	2	Body Wear Strip
4	0191-100	1	Seat Cover
5	0116-554	1	Seat Foam
6	0107-188	1	Plug - Oil Filler
7	0191-007	1	Cover - Drive Chain

Ref. No.	Part No.	Qty.	Description
8	0191-068	1	Spacer - Bearing
9	0191-107	1	Body Unit
10	0191-098	1	Hood, Right
11	0191-099	1	Hood, Left
12	0211-153	1	Decal, Formula II
13	0211-154	1	Decal, "Arctic Cat"
14	0123-280	1	Hood Latch

Fuel System

Ref. No.	Part No.	Qty.	Description
1	0109-265	1	Outlet W/Return
2	0109-278	1	Gasket, Outlet
3	0110-545	2	Filter Assy.
4	0116-172	1	Pad, Gas Tank - Left

Ref. No.	Part No.	Qty.	Description
5	0116-173	1	Pad, Gas Tank - Right
6	0191-044	1	Fuel Tank Assy.
7	0191-048	1	Gas Cap

Engine & Related Parts

Ref. No.	Part No.	Qty.	Description
1	0109-463	2	Fuel Pump
2	0120-134	1	Tachometer Kit
3	0227-010	1	Drive Belt
4	0123-498	2	Hose Clamp
5	0162-097	1	Engine, Kaw. T7A290RX1A
6	0170-029	2	Carburetor VM34
7	0191-024	1	Housing, Flywheel
8	0191-031	1	Plate, Motor Mtg.
9	0191-034	1	Plate, Mtg. - Ign., Fuel Pump
10	0191-062	1	Spacer - Starter Cap

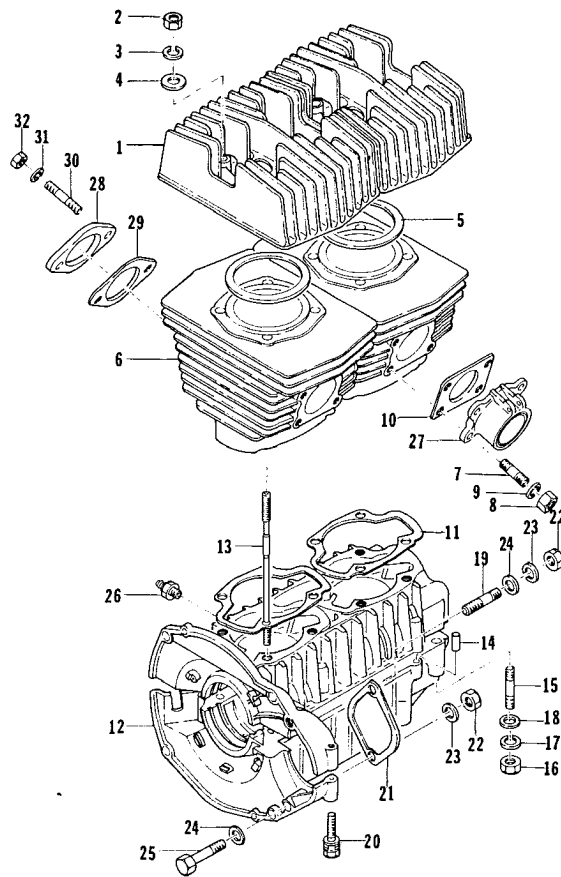
Ref. No.	Part No.	Qty.	Description
12	0191-065	1	Housing - Rear Reduction
13	0191-089	1	Belt Shield
14	0107-322	1	Chain
15	0107-321	1	Sprocket, 33T
16	0107-098	1	Sprocket, 17T
17	0225-030	1	Clutch, Drive
18	0191-104	1	Clutch, Driven
19	0191-113	1	Exhaust Chamber No. 1
20	0191-114	1	Exhaust Chamber No. 2
21	0191-066	1	Spacer Ring - Gear

Drive Clutch, Part No. 0225-030

Ref. No.	Part No.	Qty.	Description
1	0146-088	1	Sheave, Stationary
2	0146-138	1	Sheave, Moveable
3	0146-183	1	Ramp Kit
4	0146-031	1	Spdr./Arm Assy. 0225-030
5	0146-068	1	Spring
6	0123-435	3	Dowel, Pin
7	0146-139	1	Housing, W/Bearing
8	0240-002	3	Washer, Lock
9	0123-473	3	Screw, Cap
10	0123-547	1	Washer, Lock
11	0146-144	1	Bolt, Captive

Driven Clutch, Part No. 0191-104

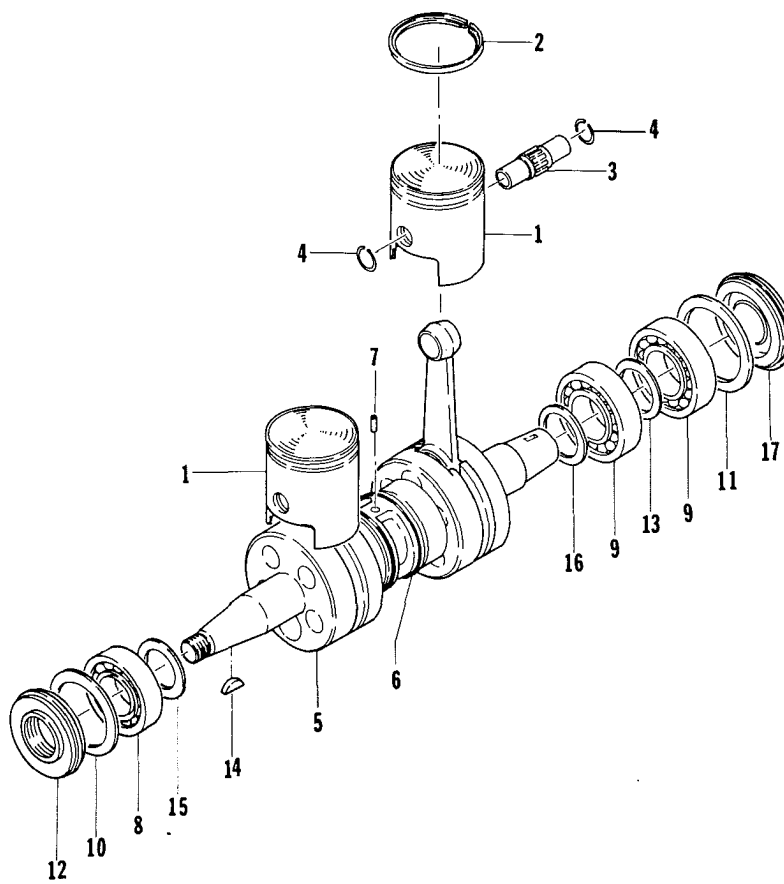
Ref. No.	Part No.	Qty.	Description
1	0123-594	1	Ring Retaining
2	0191-084	1	Cam, Fixed
3	0148-064	1	Spring - Standard
	0148-068	1	Spring - Special
4	0148-067	3	Button, Insert
5	0148-063	1	Sheave, Moveable
6	0191-086	1	Sheave, Fixed



Crankcase & Cylinder

Ref. No.	Part No.	Qty.	Description
1	3001-157	2	Head, Cylinder
2	3000-255	8	Nut, 8 M/M
3	3000-106	8	Washer, Spring
4	3000-116	8	Washer
5	3001-165	2	Gasket, Head
6	3001-153	2	Cylinder
7	3001-098	8	Stud
8	3000-765	8	Nut, 6 M/M
9	3000-766	8	Washer, Spring
10	3001-099	2	Gasket, Exhaust
11	3001-100	2	Gasket, Cylinder
12	3001-267	1	Crankcase Assy.
13	3001-268	8	Stud
14	3000-269	2	Pin, Dowel
15	3000-273	10	Stud
16	3000-255	10	Nut, 8 M/M

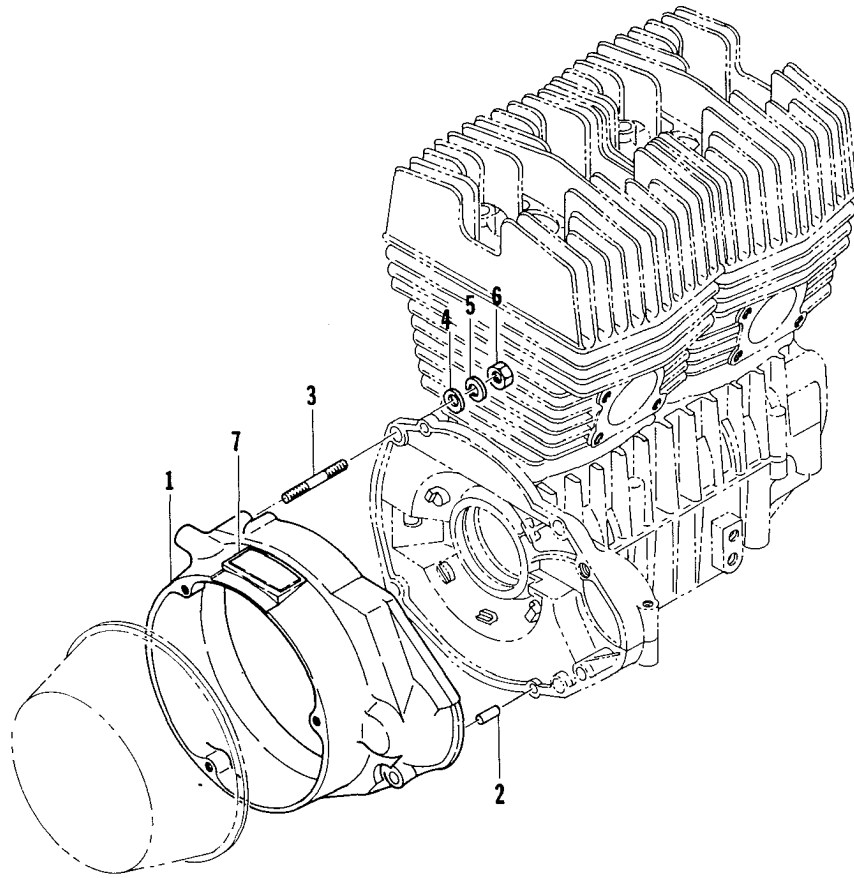
Ref. No.	Part No.	Qty.	Description
17	3000-106	10	Washer, Spring
18	3000-102	10	Washer
19	3000-242	1	Stud
20	3000-429	1	Bolt, 6 x 40
21	3000-145	1	Seal, Starter
22	3000-255	2	Nut, 8 M/M
23	3000-106	2	Washer, Spring
24	3000-102	2	Washer
25	3000-241	1	Bolt, 8 x 68
26	3000-055	2	Joint
27	3001-269	2	Pipe, Exhaust
28	3001-103	2	Insulator
29	3000-338	2	Gasket, Carburetor
30	3001-271	4	Stud
31	3000-102	4	Washer
32	3000-098	4	Nut, 8 M/M



Piston & Crankshaft

Ref. No.	Part No.	Qty.	Description
1	3001-160	2	Piston Set
2	3001-030	2	Ring, Piston
3	3001-164	2	Piston Pin Set
4	3000-151	4	Ring, Snap
5	3001-274	1	Crankshaft Assy.
6	3001-043	2	O Ring
7	3001-044	1	Pin, Dowel
8	3001-045	1	Bearing 6206-9C4
9	3001-121	2	Bearing 6207-9C4
10	3000-156	1	Washer
11	3001-114	1	Washer
12	3000-154	1	Seal, Oil
13	3001-120	1	Shim

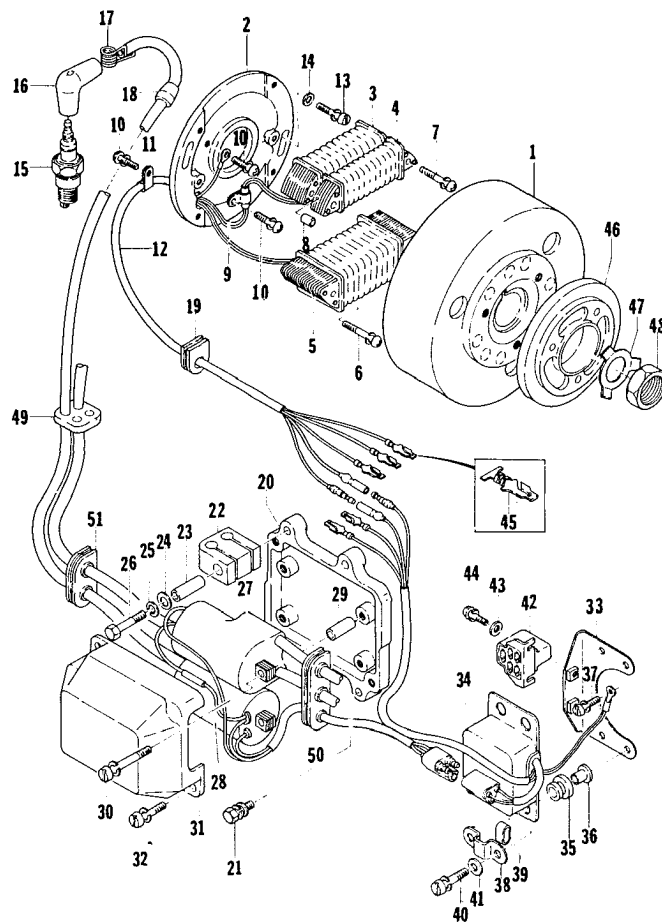
Ref. No.	Part No.	Qty.	Description
14	3000-267	1	Key
15	3001-109	AR	Shim
	3001-110	AR	Shim
	3001-111	AR	Shim
	3001-112	AR	Shim
	3001-113	AR	Shim
16	3001-115	AR	Shim
	3001-116	AR	Shim
	3001-117	AR	Shim
	3001-118	AR	Shim
	3001-119	AR	Shim
17	3001-275	1	Seal, Oil



Magneto Cover

Ref. No.	Part No.	Qty.	Description
1	0191-024	1	Cover, Magneto
2	3001-123	2	Pin, Dowel
3	3001-277	4	Stud
4	3000-102	4	Washer

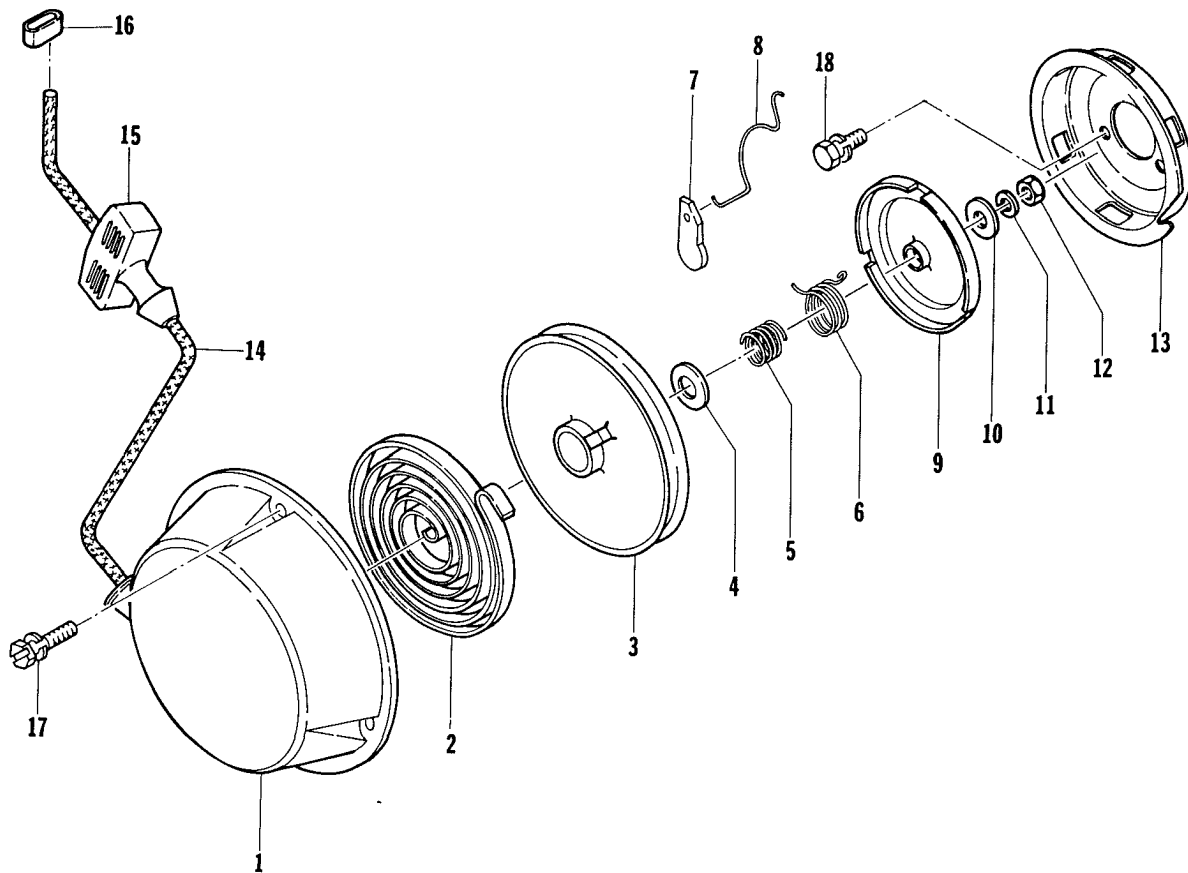
Ref. No.	Part No.	Qty.	Description
5	3000-106	4	Washer, Spring
6	3000-255	4	Nut, 8 M/M
7	3001-278	1	Label, T7A290RX1A



C D Ignition System

Ref. No.	Part No.	Qty.	Description
1-0	3001-126	1	Magneto Assy.
1	3001-127	1	Flywheel
2-0	3001-128	1	Base Assy.
2	3001-052	1	Base
3	3001-129	1	Coil, Exciting
4	3001-130	1	Coil, Pulsing
5	3001-055	1	Coil, Lighting
6	3001-056	2	Screw, 5 x 34
7	3001-131	2	Screw, 5 x 38
8	3000-295	2	Collar, Coil
9	3000-738	1	Clamp
10	3000-297	3	Screw, 4 x 6
11	3000-296	1	Clamp
12	3001-132	1	Wire Assy.
13	3001-059	2	Screw, 5 x 20
14	3001-060	2	Washer
15	0217-030	4	Plug, Spark (NGK B10EV)
16	3001-062	4	Cap, Plug
17	3001-063	4	Spring, Plug Cap
18	3000-193	4	Grommet
19	3000-440	1	Grommet
20	3001-134	1	Bracket, Coil
21	3001-135	2	Bolt, 6 x 25
22	3001-149	2	Clamp, Cord
23	3001-150	2	Collar
24	3001-142	4	Washer
25	3000-105	2	Washer, Spring

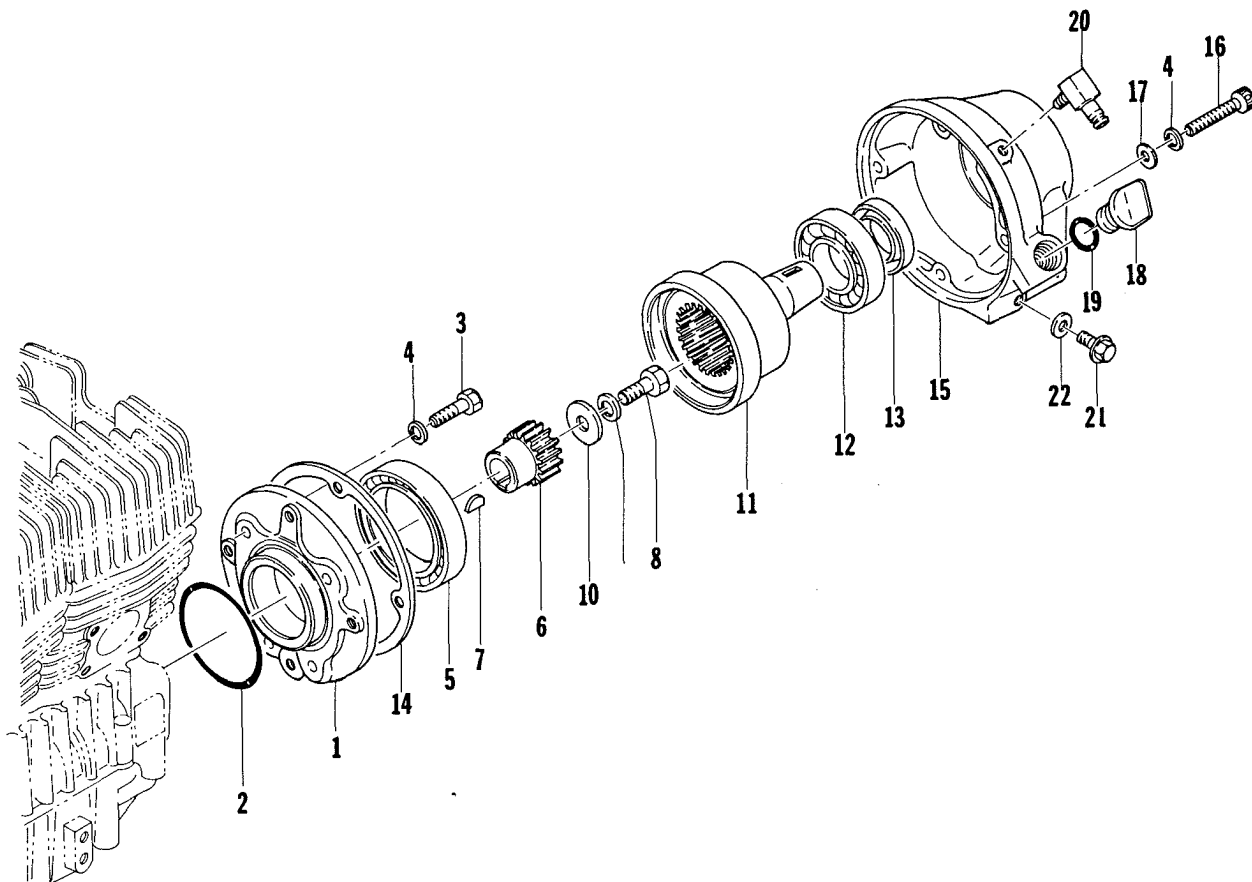
Ref. No.	Part No.	Qty.	Description
26	3001-151	2	Bolt, 6 x 56
27	3001-136	1	Coil, Ignition (1)
28	3001-137	1	Coil, Ignition (2)
29	3001-138	4	Collar
30	3000-557	4	Screw, 6 x 45
31	3001-143	1	Cover, Coil
32	3000-741	2	Screw, 6 x 18
33	3001-282	1	Bracket
34	3001-141	1	C D I Unit
35	3001-069	4	Grommet
36	3001-070	4	Collar
37	3000-455	1	Screw, 4 x 10
38	3001-140	1	Bracket, Band
39	3001-139	1	Band
40	3000-457	4	Screw, 6 x 25
41	3000-280	2	Washer
42	3000-435	1	Connector
43	3000-436	2	Washer
44	3000-455	2	Screw, 4 x 10
45	3000-460	5	Terminal
46	0191-062	1	Spacer, Starter Cup
47	3000-283	1	Washer
48	3000-258	1	Nut, 18 M/M
49	3001-133	1	Grommet
50	3001-144	1	Grommet
51	3001-145	1	Grommet



Recoil Starter

Ref. No.	Part No.	Qty.	Description
*1-0	3001-285	1	Recoil Starter Assy.
1	3001-076	1	Case, Recoil
2	3001-077	1	Spring, Recoil
3	3001-078	1	Reel, Recoil
4	3001-079	1	Washer (A)
5	3001-080	1	Spring
6	3001-081	1	Spring, Return
7	3001-082	3	Pawl
8	3001-083	3	Spring, Pawl
9	3001-084	1	Retainer, Cover
			*Drill mounting holes out to 5/16".

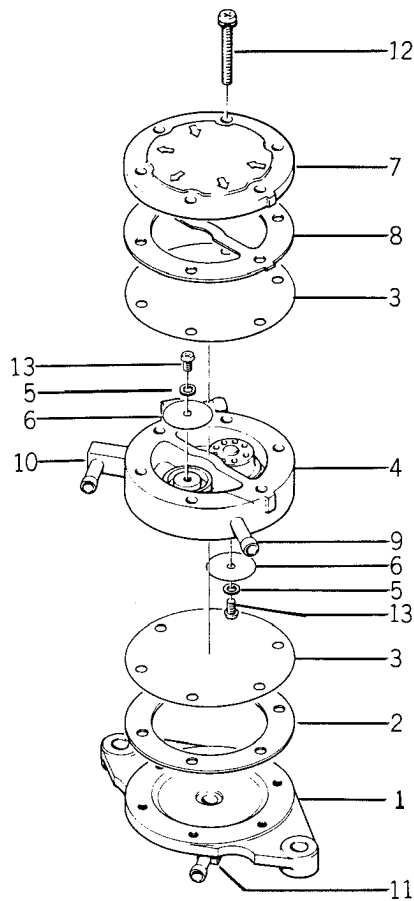
Ref. No.	Part No.	Qty.	Description
10	3000-919	1	Washer (B)
11	3000-044	1	Washer, Spring
12	3000-045	1	Nut, 8 M/M
13	3001-085	1	Pulley
14	3001-286	1	Rope
15	3000-122	1	Handle
16	3000-041	1	Piece, End
17	3000-755	3	Bolt, 6 x 16
18	3000-965	3	Bolt, 6 x 22



Gear Reduction Unit

Ref. No.	Part No.	Qty.	Description
1	3001-287	1	Case, Reducer 1
2	3001-288	1	O Ring
3	3001-289	4	Bolt, 8 x 23
4	3000-106	8	Washer, Spring
5	3001-290	1	Bearing, 6913MC3
6	3001-291	1	Pinion
8	3001-293	1	Bolt, 1/2" x 25
10	3001-294	1	Washer
11	3001-295	1	Gear
12	3000-050	1	Bearing, 6206 C3

Ref. No.	Part No.	Qty.	Description
13	3000-052	1	Seal, Oil
14	3001-296	1	Gasket, Case
15	3001-297	1	Case, Reducer 2
16	3001-298	4	Bolt, 8 x 50
17	3000-102	4	Washer
18	3001-299	1	Plug, Oil
19	3001-300	1	O Ring
20	3000-055	1	Joint
21	3001-301	1	Plug, Drain
22	3001-302	1	Gasket



Fuel Pump

Part No. 0109-463

*Not a Serviceable Part

Ref. No.	Part No.	Qty.	Description
1	*	1	Body, Bottom
2	6505-059	1	Packing
3	6505-060	2	Diaphragm
4	*	1	Body, Top
5	6505-061	2	Packing
6	6505-062	2	Valve
7	*	1	Cap

Ref. No.	Part No.	Qty.	Description
8	6505-063	1	Packing
9	*	1	Pipe-A
10	*	2	Elbow
11	*	1	Elbow
12	6505-057	6	Screw
13	6505-058	2	Screw