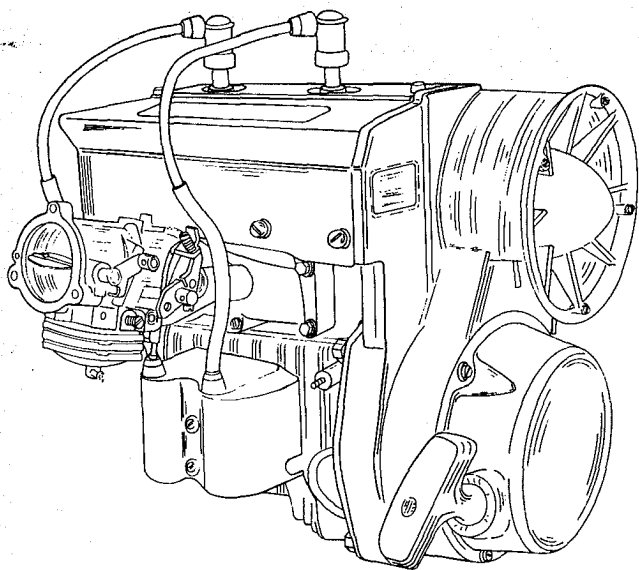


ARCTIC CAT

PARTS MANUAL

**KAWASAKI
T1A SERIES
MODEL 340-400-440**



**SNOWMOBILE
ENGINE**

ARCTIC ENTERPRISES, INC.

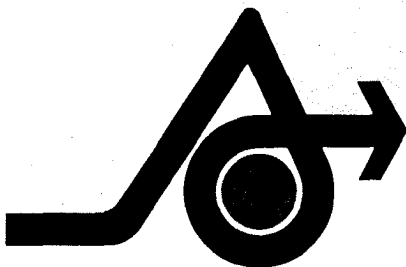
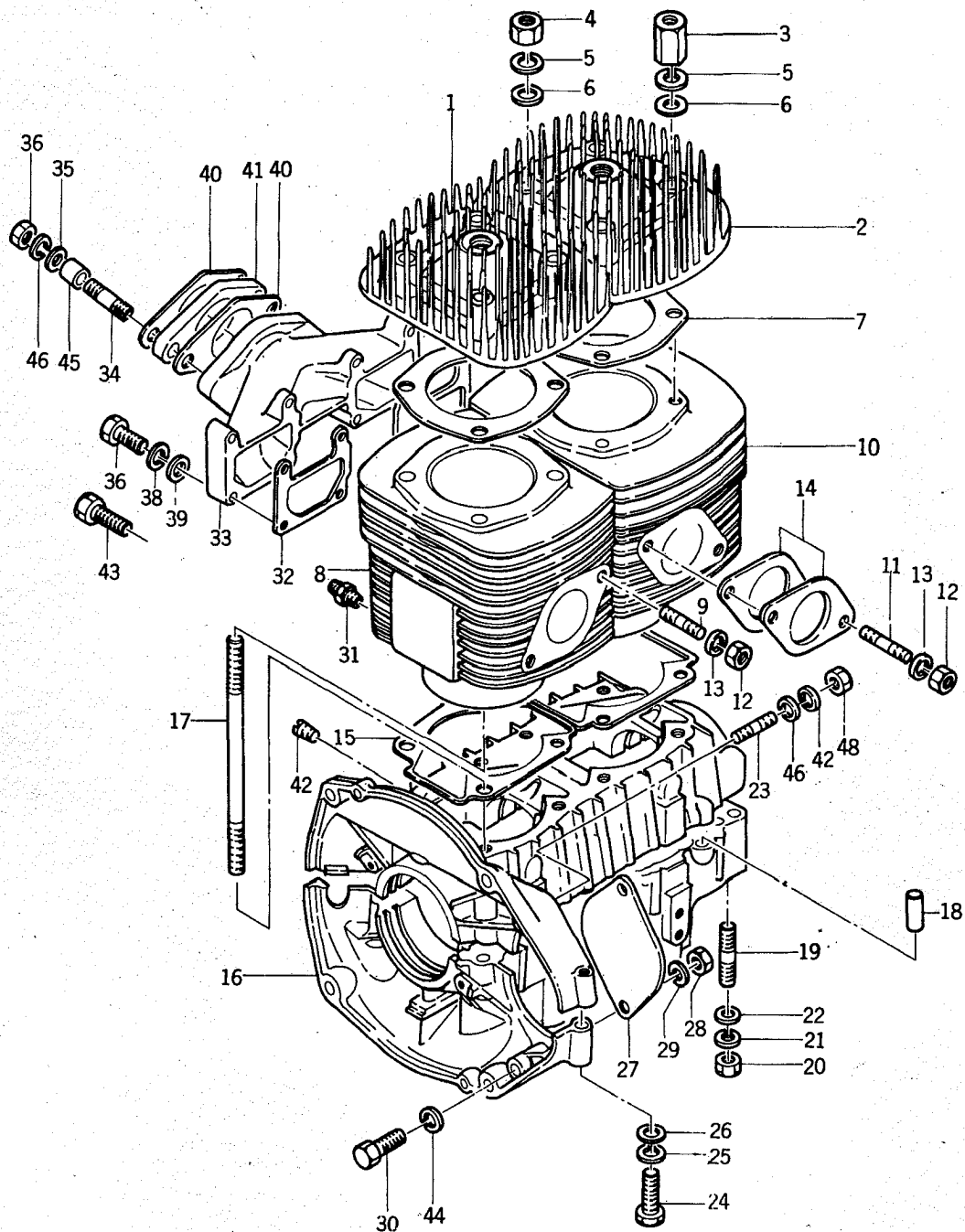
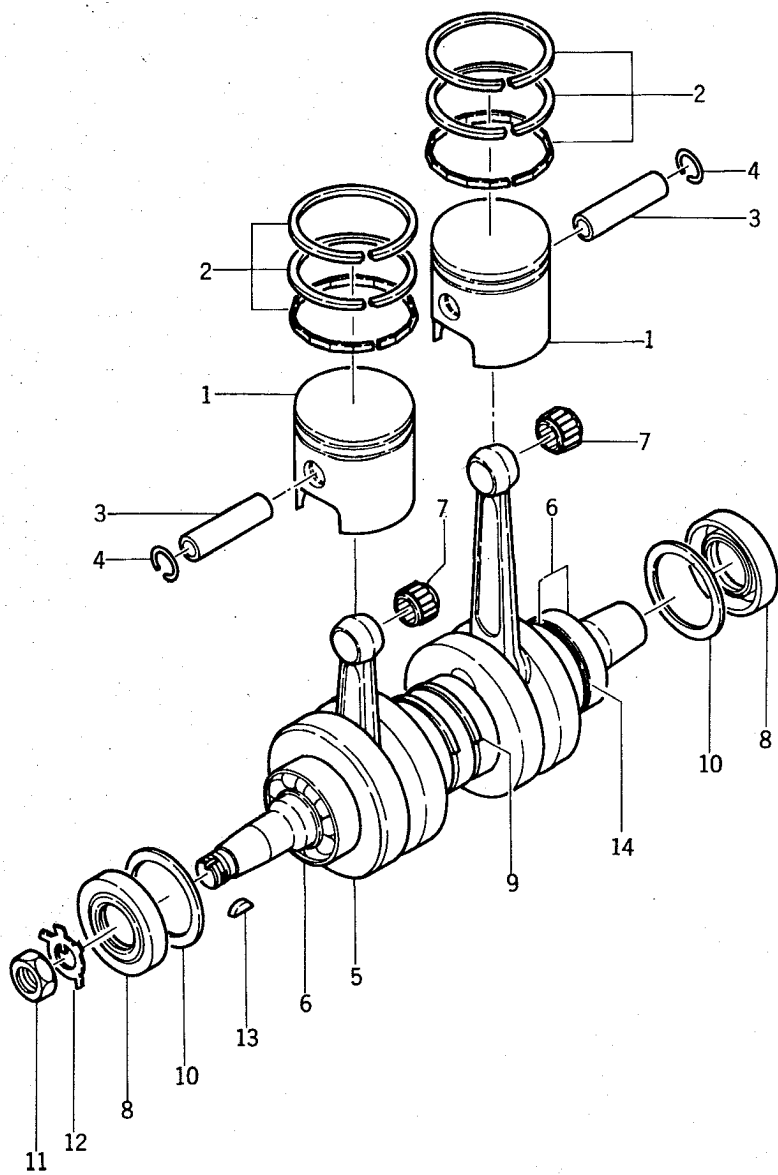


fig. 1 Crank Case And Cylinder



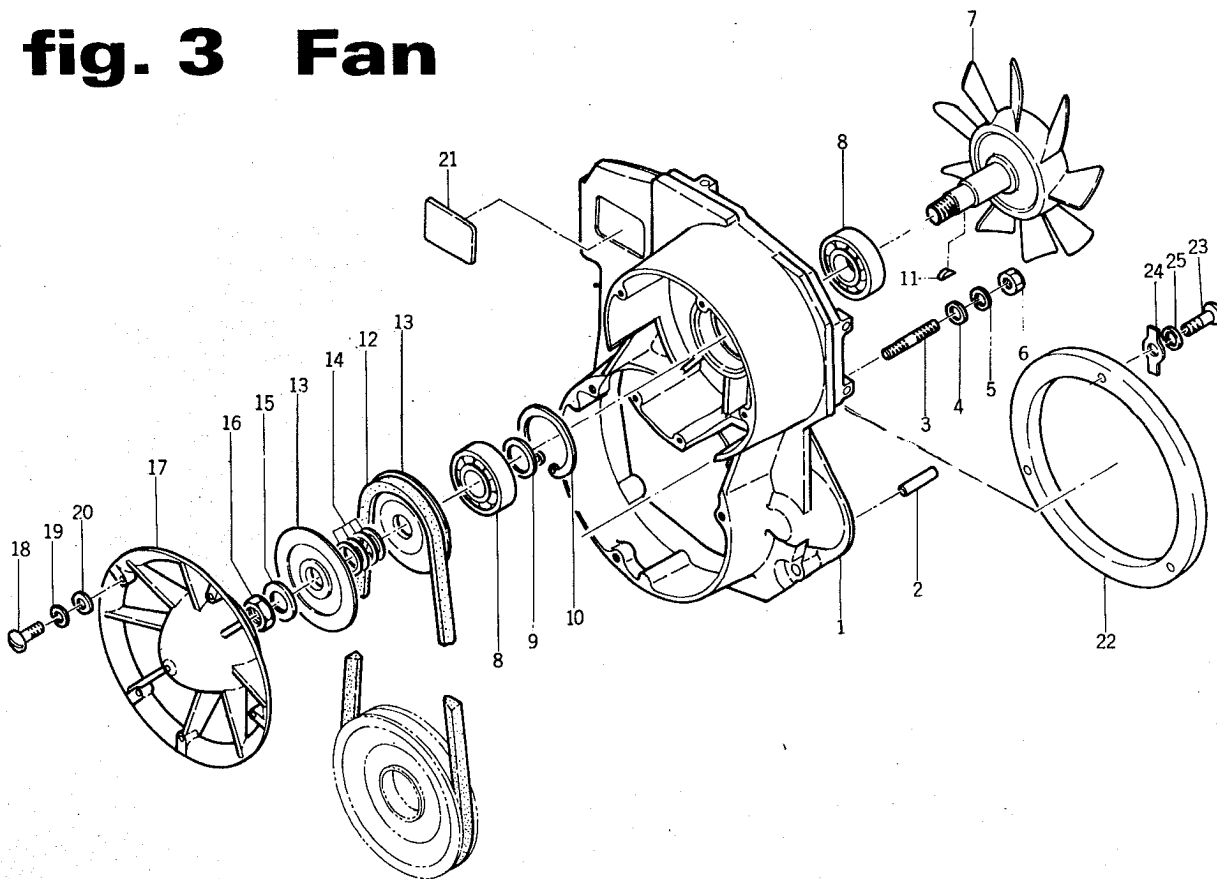
Ref. No.	Part No.*	Qty.	Description
1	3000-213	1	Head, Cylinder(1) 340KWA (318803-1111-00)
	3000-221	1	Head, Cylinder(1) 400KWA (318802-1111-00)
	3000-229	1	Head, Cylinder(1) 440KWA (318801-1111-00)
2	3000-214	1	Head, Cylinder(2) 340KWA (318803-1112-00)
	3000-222	1	Head, Cylinder(2) 400KWA (318802-1112-00)
	3000-230	1	Head, Cylinder(2) 440KWA (318801-1112-00)
3	3000-140	2	Nut, Long (318801-1183-00)
4	3000-255	6	Nut (310B0800A)
5	3000-106	8	Washer, Spring (461F0800)
6	3000-116	8	Washer (318505-1187-01)
7	3000-215	2	Gasket, Head 340KWA (318803-1121-00)
	3000-231	2	Gasket, Head 400-440KWA (318801-1121-00)
8	3000-216	1	Cylinder(2) 340KWA (318803-1212-00)
	3000-223	1	Cylinder(2) 400KWA (318802-1212-00)
	3000-232	1	Cylinder(2) 440KWA (318801-1212-00)
9	3000-242	2	Stud (172B0820)
10	3000-217	1	Cylinder(1) 340KWA (318803-1211-00)
	3000-224	1	Cylinder(1) 400KWA (318802-1211-00)
	3000-233	1	Cylinder(1) 440KWA (318801-1211-00)
11	3000-242	2	Stud (172B0820)
12	3000-256	4	Nut (310M0800)
13	3000-263	4	Washer, Spring (461S0800)
14	3000-141	4	Gasket (318801-1442-00)
15	3000-142	2	Gasket (318801-1221-00)
16	3000-143	1	Crank Case Assy. (318801-4110-00)
17	3000-144	8	Stud (318801-4171-00)
18	3000-269	2	Pin, Dowel (551A0816)
19	3000-273	10	Stud (172H0855)
20	3000-255	10	Nut (310B0800A)
21	3000-106	10	Washer, Spring (461F0800)
22	3000-102	10	Washer (410B0800)
23	3000-242	1	Stud (172B0820)
24	3000-239	1	Bolt (110B0640)
25	3000-105	1	Washer, Spring (461F0600A)
26	3000-101	1	Washer (410B0600)
27	3000-145	1	Seal, Starter (318801-4156-00)
28	3000-255	2	Nut (310B0800A)
29	3000-106	2	Washer, Spring (461F0800)
30	3000-241	1	Bolt (110B0868)
31	3000-055	1	Joint (318505-6241-00)
32	3000-147	4	Gasket, Inlet (318801-6185-00)
33	3000-148	1	Pipe, Inlet (318801-6182-00)
34	3000-243	2	Stud (172B0832)
35	3000-133	2	Washer (411B0800)
36	3000-098	2	Nut (312B0800A)
37	3000-238	4	Bolt (110B0636)
38	3000-105	6	Washer, Spring (461F0600A)
39	3000-101	6	Washer (410B0600)
40	3000-149	2	Gasket, Insulator (318801-6184-00)
41	3000-150	1	Insulator (318801-6181-00)
42	3000-056	1	Plug, Drain (312200-7441-00)
43	3000-240	2	Bolt (110B0655)
44	3000-102	1	Washer (410B0800)
45	3000-132	2	Collar, Carburetor (318801-6195-00)
46	3000-106	2	Washer, Spring (461F0800)

fig.2 Piston And Crank Shaft



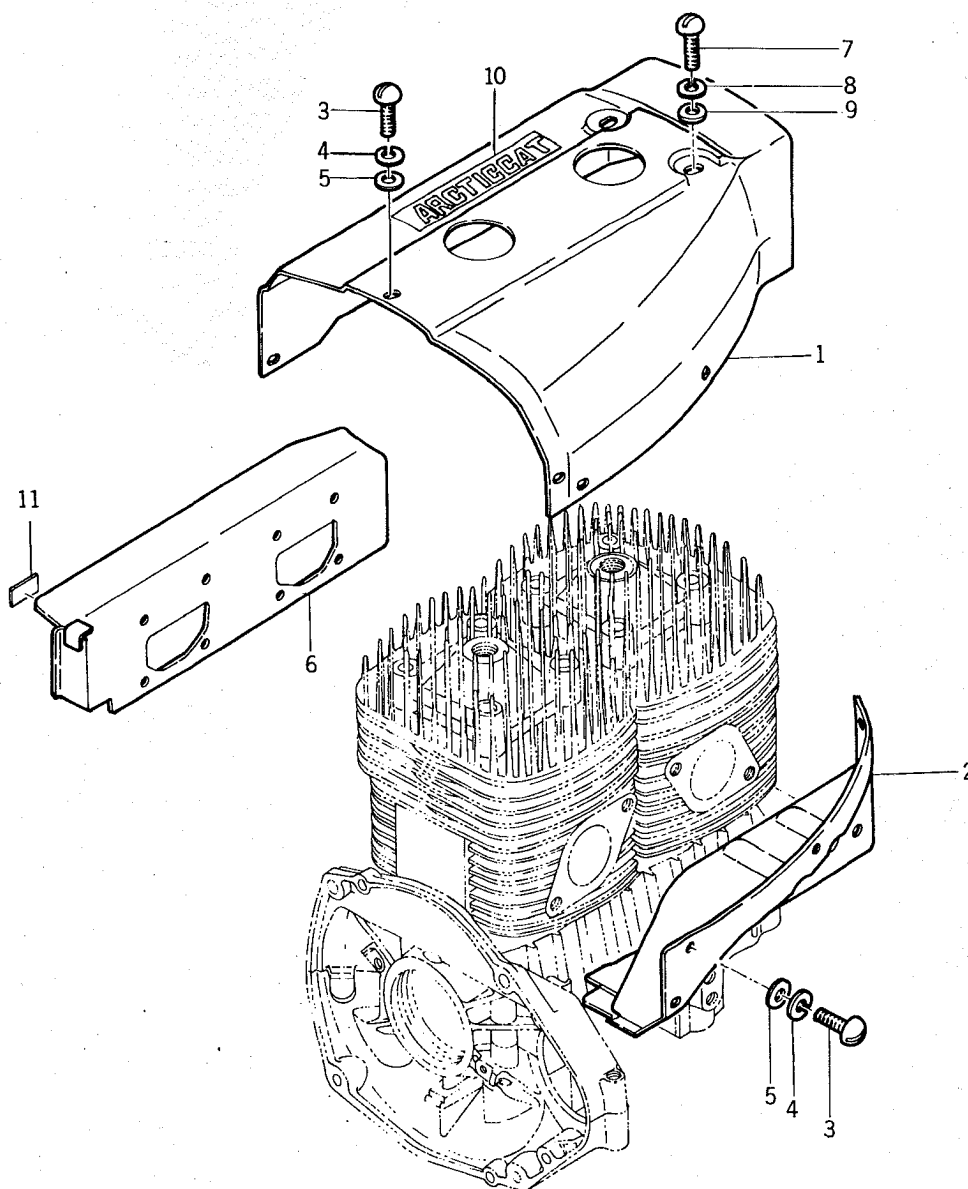
Ref. No.	Part No.*	Qty.	Description
1	3000-218	2	Piston 340KWA (318803-3111-00)
	3000-225	2	Piston 400KWA (318802-3111-00)
	3000-234	2	Piston 440KWA (318801-3111-00)
2	3000-219	2	Piston Ring Set 340KWA (318803-3010-00)
	3000-226	2	Piston Ring Set 400KWA (318802-3010-00)
	3000-235	2	Piston Ring Set 440KWA (318801-3010-00)
3&7	3000-227	2	Pin, Piston & Bearing 340-400KWA (318802-3121-00)
	3000-236	2	Pin, Piston & Bearing 440KWA (318801-3121-00)
4	3000-151	4	Ring, Snap (318801-3122-00)
5	3000-152	1	Crank Shaft Assy. (318801-3210-00)
6	3000-153	3	Bearing (601B6206)
8	3000-154	2	Seal, Oil (318801-4231-00)
9	3000-155	2	Washer (318801-4281-00)
10	3000-156	2	Washer (318801-4252-00)
11	3000-258	1	Nut (315B1800A)
12	3000-157	1	Washer (318801-8175-00)
13	3000-267	1	Key (510A5200)
14	3000-158	1	Shim (318801-3231-00)
	3000-159	1	Shim (318801-3232-00)
	3000-160	1	Shim (318801-3233-00)
	3000-161	1	Shim (318801-3234-00)
	3000-162	1	Shim (318801-3235-00)
	3000-163	1	Shim (318801-3236-00)

fig. 3 Fan



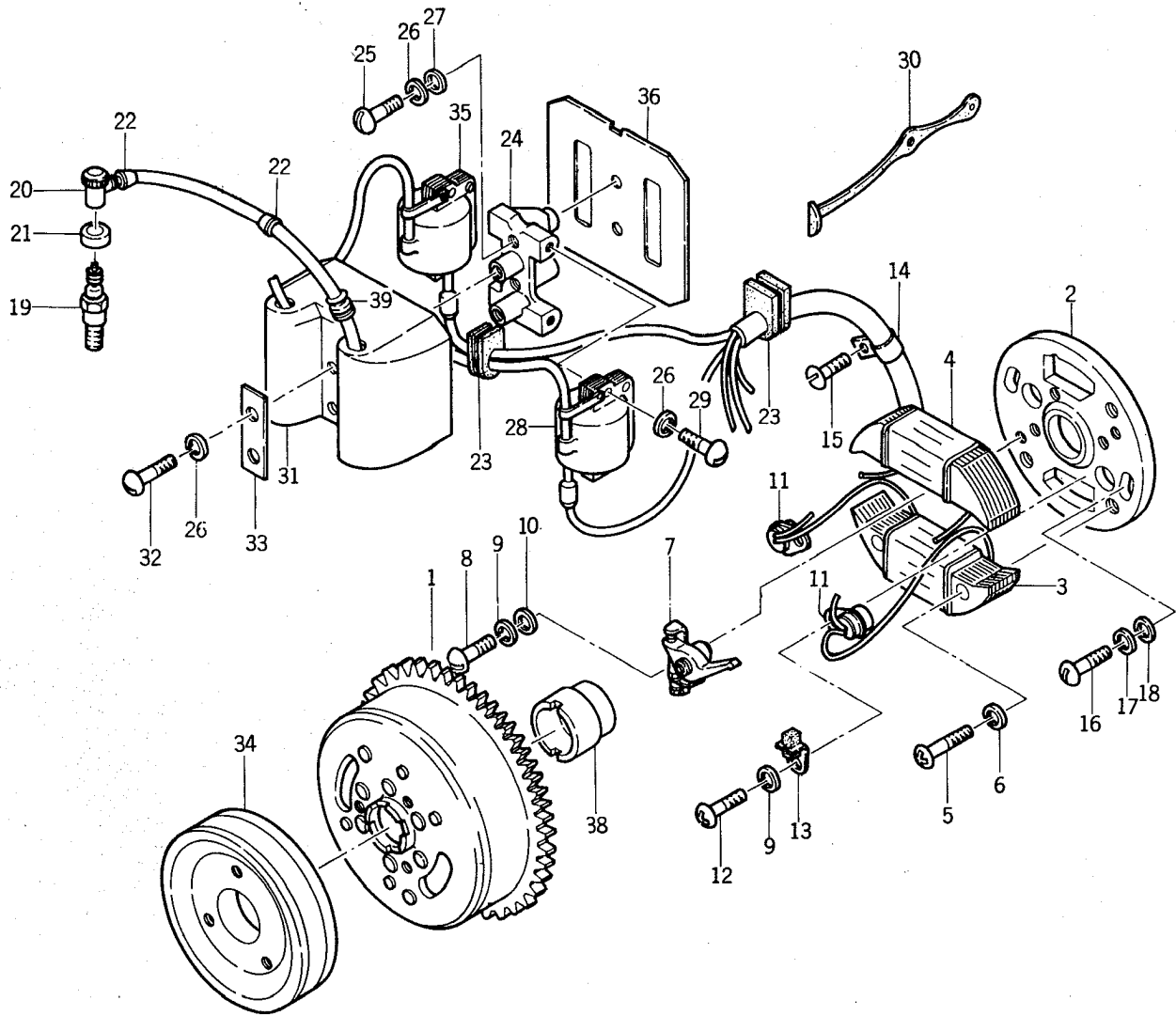
Ref. No.	Part No.*	Qty.	Description
1	3000-164	1	Housing, Fan (318801-1712-00)
2	3000-268	2	Pin, Dowel (551A0612)
3	3000-242	4	Stud (172B0820)
4	3000-102	4	Washer (410B0800)
5	3000-106	4	Washer, Spring (461F0800)
6	3000-255	4	Nut (310B0800A)
7	3000-165	1	Cooling Fan Assy. (318801-1710-00)
8	3000-166	2	Bearing (601B6204ZZ)
9	3000-168	1	Shim (313410-3235-00)
10	3000-265	1	Ring, Snap (481J4700)
11	3000-266	1	Key (510A3200)
12	3000-169	1	Belt, Fan (318801-1715-00)
13	3000-170	2	Pully, Fan (318801-1761-00)
14	3000-271	AR	Shim, Pully (318801-1764-00)
15	3000-264	1	Washer, Spring (461F1400A)
16	3000-257	1	Nut (315B1400A)
17	3000-172	1	Cover, Fan (318801-1763-00)
18	3000-247	5	Screw (214B0420)
19	3000-262	5	Washer, Spring (461F0400)
20	3000-259	5	Washer (410B0400)
21	3000-220	1	Label, Horsepower 340KWA (318803-0813-00)
	3000-228	1	Label, Horsepower 400KWA (318802-0813-00)
	3000-237	1	Label, Horsepower 440KWA (318801-0813-00)
22	3000-173	1	Plate, Seal (318801-8176-00)
23	3000-246	3	Screw (214B0410)
24	3000-270	3	Washer (318801-8177-00)
25	3000-262	3	Washer, Spring (461F0400)

fig. 4 Cylinder Cover



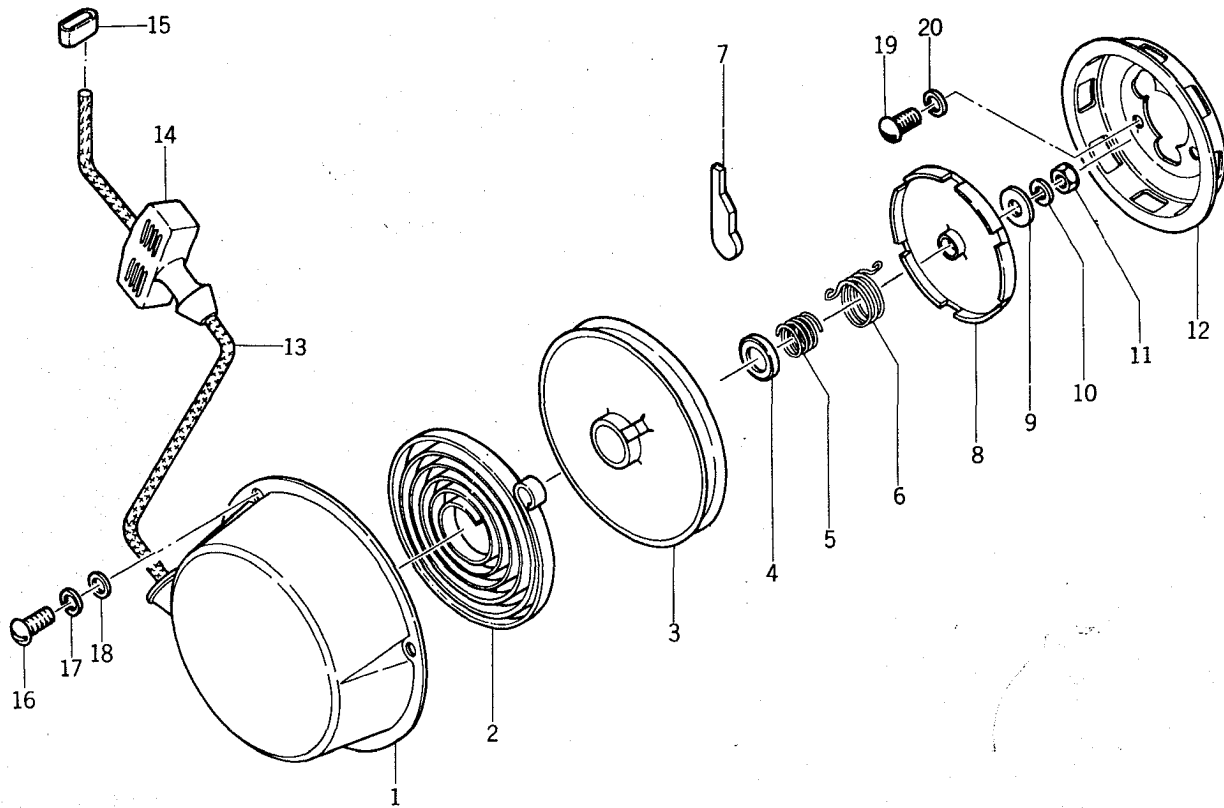
Ref. No.	Part No.*	Qty.	Description
1	3000-204	1	Cover, Cylinder Head (318801-1632-00)
2	3000-205	1	Cover, Cylinder Exhaust (318801-1633-00)
3	3000-249	9	Screw (214B0610)
4	3000-105	9	Washer, Spring (461F0600A)
5	3000-101	9	Washer (410B0600)
6	3000-206	1	Cover, Cylinder Intake (318801-1634-00)
7	3000-254	2	Screw (214B0812)
8	3000-106	2	Washer, Spring (461F0800)
9	3000-102	2	Washer (410B0800)
10	3000-001	1	Label, "ARCTIC CAT" (318530-0811-00)
11	3000-199	1	Label (ISO) (312551-0841-00)

fig. 5 Magneto



Ref. No.	Part No.*	Qty.	Description
1-0	3000-174	1	Magneto Assy. (318801-8110-00)
1	3000-175	1	Flywheel (318801-8111-00)
2-0	3000-176	1	Base Assy. (318801-8120-00)
2	3000-177	1	Base (318801-8121-00)
3	3000-178	1	Coil Exiting (318801-8123-00)
4	3000-179	1	Coil Lighting (318801-8124-00)
5	3000-180	4	Screw (318801-8132-00)
6	3000-181	4	Washer, Spring (318801-8128-00)
7	3000-182	2	Contact, Breaker (318801-8440-00)
8	3000-183	2	Screw (318801-8135-00)
9	3000-184	4	Washer, Spring (318801-8139-00)
10	3000-185	2	Washer (318801-8449-00)
11	3000-186	2	Condenser (318801-8436-00)
12	3000-187	2	Screw (318801-8141-00)
13	3000-188	2	Felt, Cam (318801-8451-00)
14	3000-189	1	Clip (318801-8138-00)
15	3000-190	1	Screw (318801-8448-00)
16	3000-248	2	Screw (214B0520)
17	3000-104	2	Washer, Spring (461F0500A)
18	3000-260	2	Washer (411B0500)
19	3000-191	2	Plug, Spark (318532-8410-00)
20	3000-192	2	Cap, Plug (315120-8412-00)
21	3000-073	2	Cover, Cap (318401-8413-00)
22	3000-193	4	Grommet (318401-8415-00)
23	3000-194	2	Grommet (318801-8164-00)
24	3000-195	1	Bracket, Coil (318801-8472-00)
25	3000-253	2	Screw (214B0640)
26	3000-105	8	Washer, Spring (461F0600A)
27	3000-101	2	Washer (410B0600)
28	3000-196	1	Coil, Ignition(1) (318801-8460-00)
29	3000-252	4	Screw (214B0625)
30	3000-197	1	Band, Coil (318801-8254-00)
31	3000-198	1	Cover, Coil (318801-8461-00)
32	3000-251	2	Screw (214B0616)
33	3000-272	2	Washer (318801-8464-00)
34	3000-200	1	Pully, Fan Drive (318801-1762-00)
35	3000-201	1	Coil, Ignition(2) (318801-8462-00)
36	3000-202	1	Plate, Coil (318801-8463-00)
37	3000-203	2	Grommet (318801-8165-00)
38	3000-212	1	Governor Assy. (318801-8430-00)

fig. 6 Recoil Starter



Ref. No.	Part No.*	Qty.	Description
1-0	3000-207	1	Recoil Starter Assy. (318801-3430-00)
1	3000-208	1	Case, Recoil (318801-3437-00)
2	3000-038	1	Spring, Recoil (313550-3452-00)
3	3000-030	1	Reel, Recoil (318505-3441-00)
4	3000-209	1	Washer(A) (318801-3456-00)
5	3000-034	1	Spring (313550-3446-00)
6	3000-036	1	Spring, Return (313431-3448-00)
7	3000-033	3	Pawl (318505-3445-00)
8	3000-037	1	Retainer (318505-3449-00)
9	3000-031	1	Washer(B) (318505-3442-00)
10	3000-044	1	Washer, Spring (318505-3458-00)
11	3000-045	1	Nut (318505-3459-00)
12	3000-210	1	Pully (318801-3432-00)
13	3000-039	1	Rope (313550-3453-00)
14	3000-122	1	Handle (318801-3454-00)
15	3000-041	1	Piece, End (313431-3455-00)
16	3000-251	3	Screw (214B0616)
17	3000-105	3	Washer, Spring (461F0600A)
18	3000-101	3	Washer (410B0600)
19	3000-146	3	Belt (110B0625)
20	3000-105	3	Washer, Spring (461F0600A)
	3000-211		Sealant, Crankcase (318800-9999-00)

