

## SPECIFICATIONS

MODEL		G44B	G40B	G34B	G29B	G44BSS	G40BSS	G34BSS
		STANDARD MODEL				SS MODEL		
TYPE		TWO (2) CYLINDER, AIR COOLED (AXIAL FAN) TWO (2) STROKE ENGINE						
DISPLACEMENT	(cc)	432	394	338	292	432	394	338
CYLINDER BORE	(mm)	68	65	64	59.5	68	65	64
STROKE	(mm)	59.5		52.6		59.5		52.6
COMPRESSION RATIO		12:1		11.8:1	11.4:1	12:1		11.8:1
STARTING SYSTEM		RECOIL STARTER (STARTING MOTOR AVAILABLE)		RECOIL STARTER				
MAGNETO		FLYWHEEL MAGNETO (POINT)				CDI FLYWHEEL MAGNETO		
BREAKER POINT GAP		0.3~ 0.4mm (0.012~ 0.016")						
IGNITION TIMING	RETARDED	8° BTDC						
	ADVANCED	23° BTDC				21° BTDC (AT 6000 R.P.M.)		
LIGHTING COIL		12V/120W						
CYLINDER		ALUMINIUMD WITH CAST IRON SLEEVE						
CARBURETOR	QUANTITY	ONE (1)						
	SIZE	HD (42)				HD (50)		HD (42)
LUBRICATING METHOD		MIXED OIL 15~ 20 (GASOLINE) : 1 (OIL)						
ROTATING DIRECTION		ANTI-CLOCKWISE VIEWING FROM OUTPUT SHAFT SIDE						

REMARK : ABOVE SPECIFICATIONS SUBJECT TO CHANGE WITHOUT NOTICE  
THIS PARTS LIST APPLIES TO ENGINES NOS. 200001~ 299999

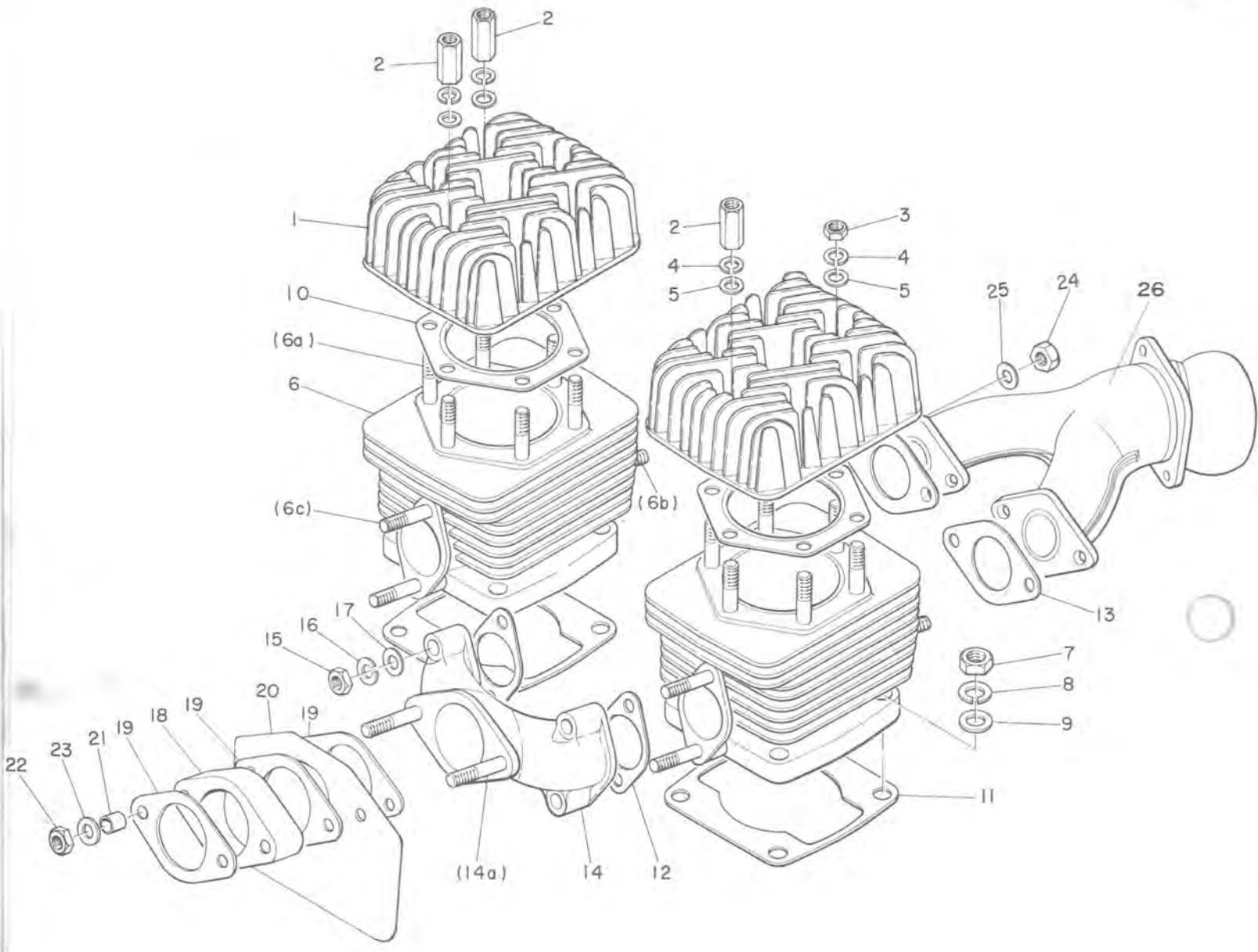
---

## CONTENTS

---

	PAGE
CYLINDER	2
CRANK CASE	4
FAN COVER & COOLING FAN	6
PISTON & CRANK SHAFT	8
IGNITION SYSTEM (STANDARD MODEL)	10
IGNITION SYSTEM (SS MODEL)	11
IGNITION SYSTEM (STANDARD MODEL)	12
RECOIL STARTER	14
STARTER MOTOR	15
TOOL KIT	16

---





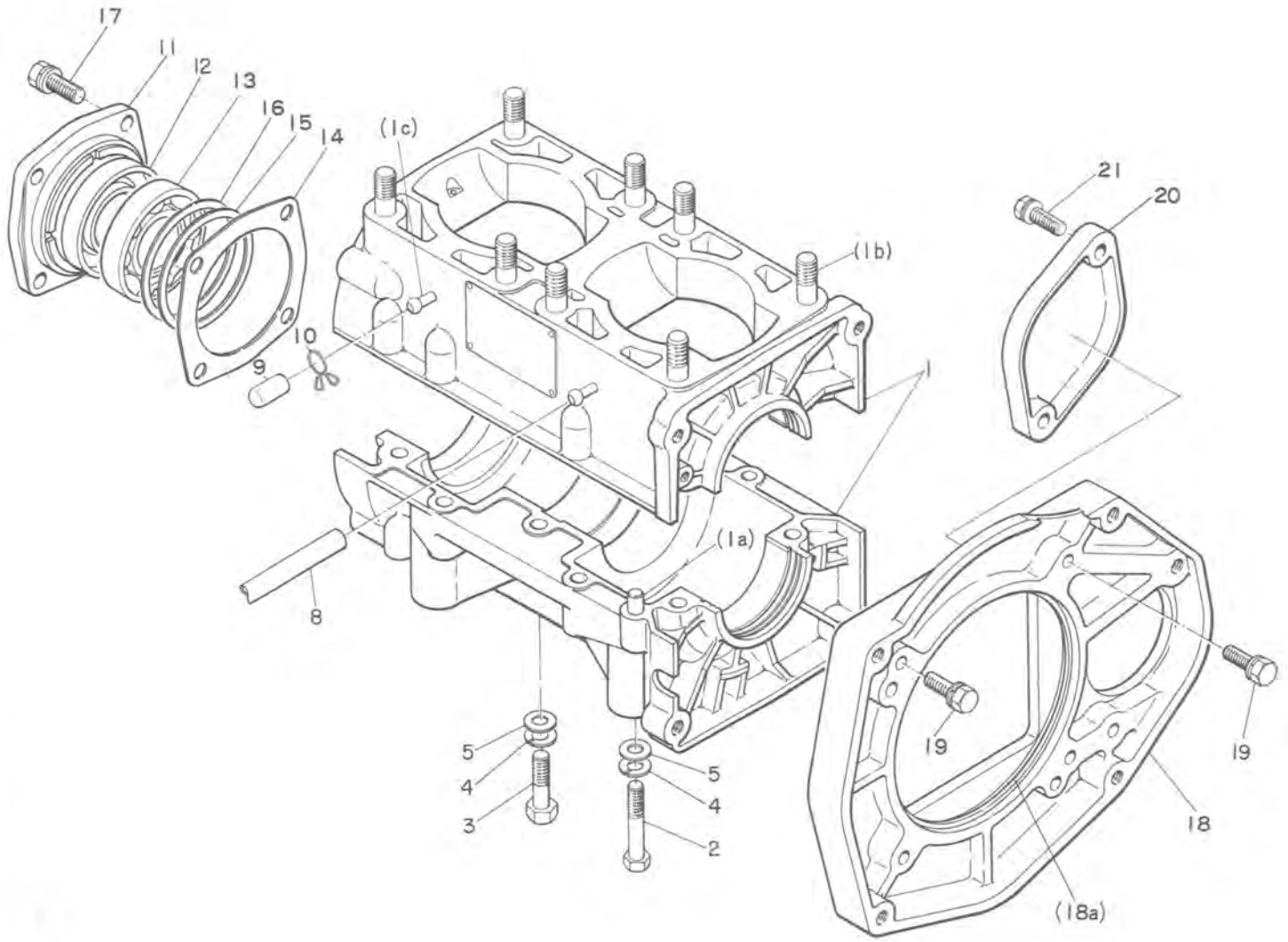
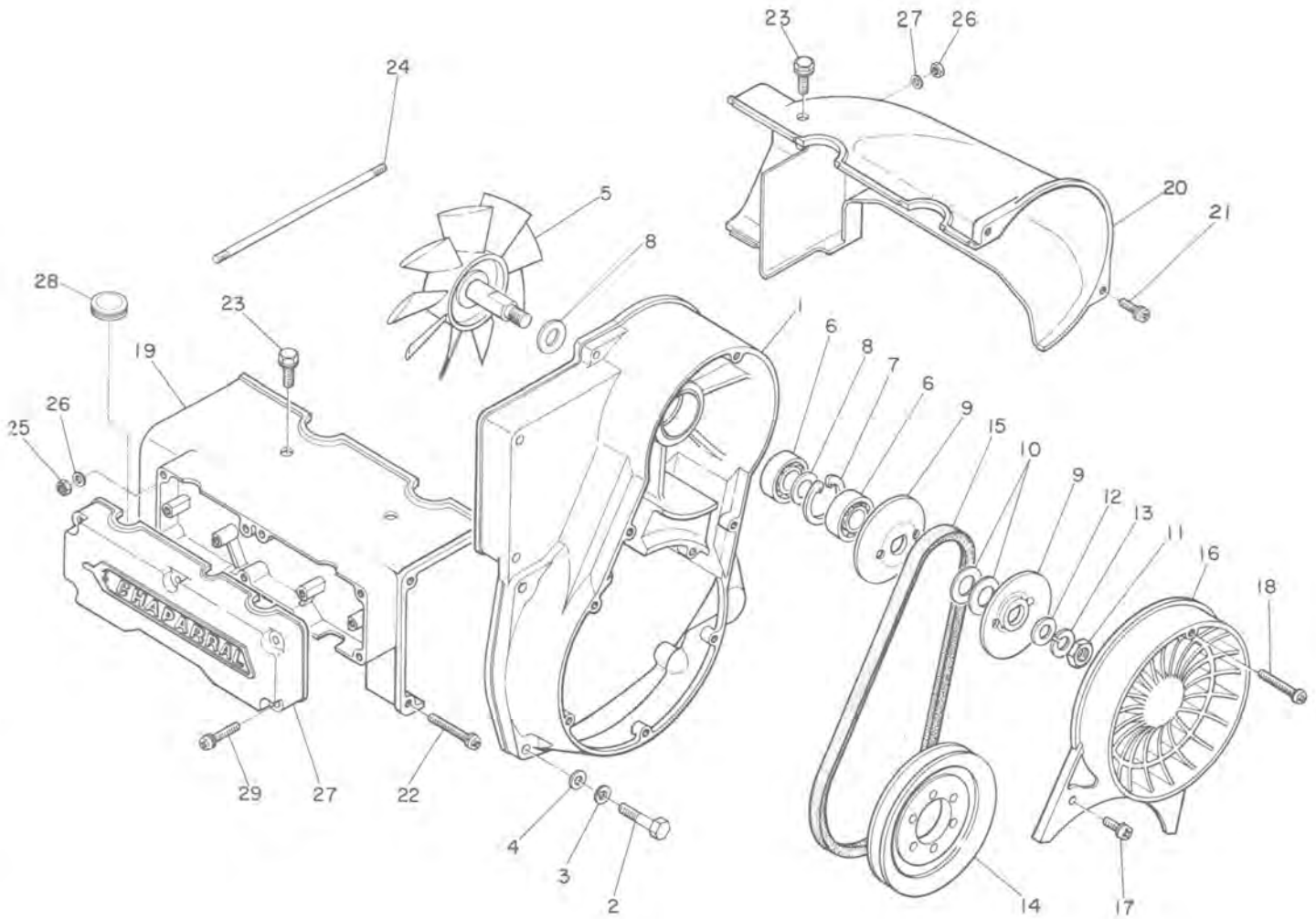


FIG. NO.	DESCRIPTION	CHAPARRAL NO.	FUJI NO.	G44B	G40B	G44BSS	G40BSS	G34B	G29B	G34BSS	REMARKS
1	CRANK CASE, comp	78583	2576-21100	1							
		78584	2577-21100		1						
		78585	2578-21100				1				
		78586	2579-21100					1			
		78458	2560-21100						1		
		78459	2561-21100							1	
		78460	2574-21100								1
1a	DOWEL PIN	78028	04020-00820	(2)	(2)	(2)	(2)	(2)	(2)	(2)	
1b	STUD, cylinder	78029	0250-51030	(8)	(8)	(8)	(8)	(8)	(8)	(8)	
1c	NIPPLE	78463	2576-21140	(2)	(2)	(2)	(2)	(2)	(2)	(2)	
2	BOLT	78030	0212-50875	4	4	4	4	4	4	4	
3	BOLT	78032	0212-50845	6	6	6	6	6	6	6	
4	SPRING WASHER	78003	0290-20820	10	10	10	10	10	10	10	
5	WASHER	78004	01641-20812	10	10	10	10	10	10	10	
8	PULSE PIPE	78923	2576-21420	1	1	1	1	1	1	1	
9	PLUG, nipple	78467	2576-21460	1	1	1	1	1	1	1	
10	CLIP	78924	2576-21471	1	1	1	1	1	1	1	
11	BEARING RETAINER	78587	2576-21810	1	1	1	1				
		78041	2587-21810					1	1		
		78470	2574-21810								1
12	OIL SEAL	78043	2587-21620	1	1	1	1	1	1	1	
13	BALL BEARING	78082	06030-06206			1	1				
14	GASKET, bearing retainer	78044	2583-21820	1	1	1	1				
		78045	2587-21820					1	1		
		78950	2574-21820								1
15	TRUST PLATE	78589	2576-21850	1	1	1	1				
		78047	2587-21850					1	1	1	
16	SHIM, crankshaft 0.1t	78590	2576-21830	0~2	0~2	0~2	0~2				
		78049	2587-21830					0~2	0~2	0~2	
	SHIM, crankshaft 0.3t	78591	2576-21840	0~2	0~2	0~2	0~2				
		78051	2587-21840					0~2	0~2	0~2	
17	BOLT	78925	0224-50825	4	4	4	4	4	4	4	
18	MAGNETO CASE, comp	78592	2576-22100	1	1						
		78477	2560-22100					1	1		
		78593	2578-22110			1	1				
		78478	2574-22110								1
18a	FELT RING	78209	2583-22120	(1)	(1)			(1)	(1)		
19	BOLT	78054	0224-30835	4	4	4	4	4	4	4	
20	COVER	78212	2583-22210	1	1						
21	BOLT	78925	0224-50825	2	2						







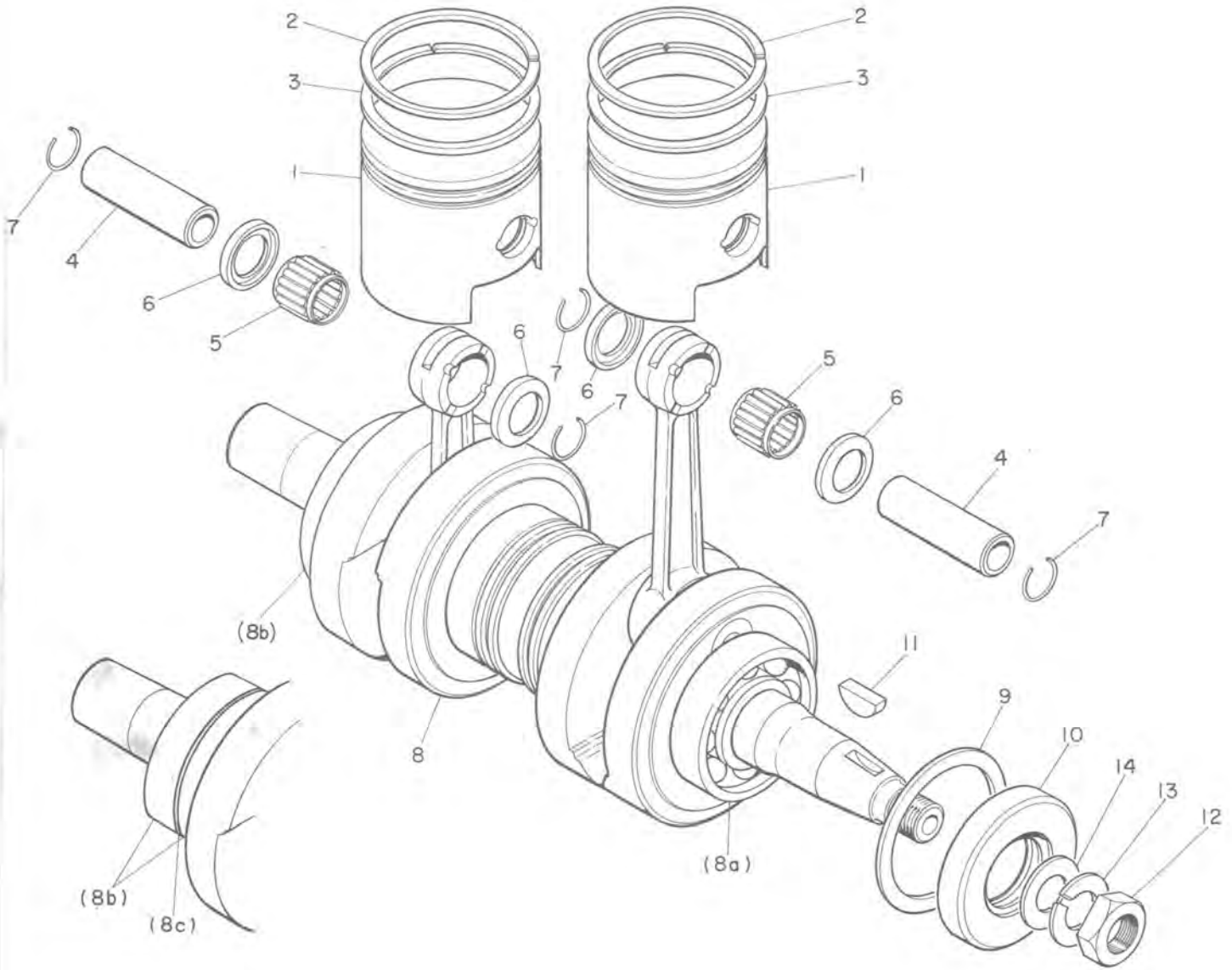


FIG. NO	DESCRIPTION	CHAPARRAL NO.	FUJI NO.	G44B	G40B	G44BSS	G40BSS	G34B	G29B	G34BSS	REMARKS	
1	PISTON (STD)	78604	2576-41110	2		2						
		78605	2577-41110		2		2					
		78508	2588-41110					2		2		
		78509	2589-41110						2			
	PISTON (0.5mm)	78606	2576-08010	2			2					1st OVER SIZE
		78607	2577-08010		2		2					
		78510	2560-08010					2		2		
		78511	2561-08010						2			
	PISTON (1mm)	78608	2576-08020	2			2					2nd OVER SIZE
		78609	2577-08020		2		2					
		78512	2560-08020					2		2		
		78513	2561-08020						2			
2	PISTON RING, TOP (STD)	78314	2583-41210	2		2						
		78315	2586-41210		2		2					
		78514	2588-41210					2		2		
		78515	2589-41210						2			



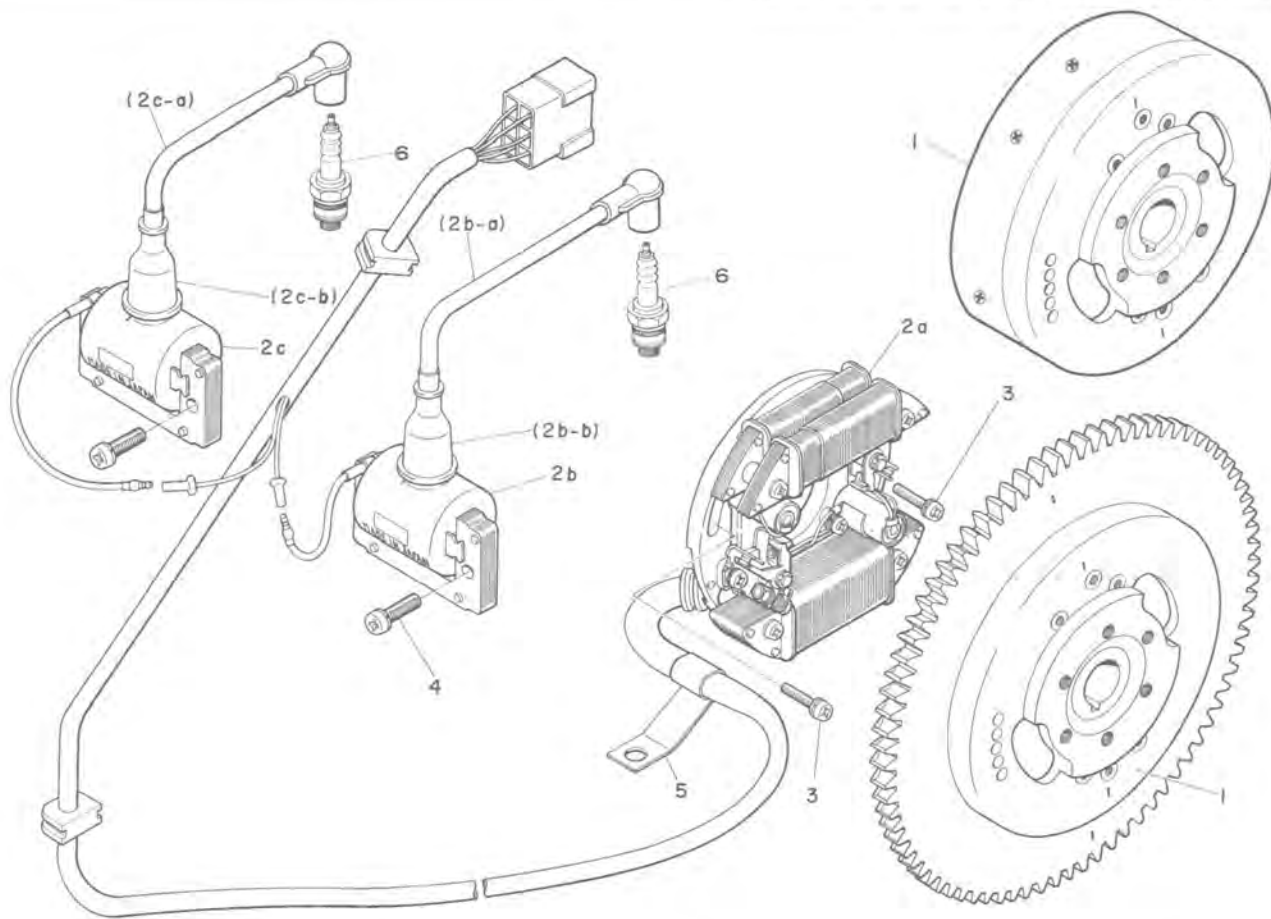


FIG. NO.	DESCRIPTION	CHAPARRAL NO.	FUJI NO.	G44B	G40B	G44BSS	G40BSS	G34B	G29B	G34BSS	REMARKS
	IGNITION SYSTEM, W/T RING GEAR	78628	2576-71000	1 set	1 set						(1~2)
	IGNITION SYSTEM, W/O RING GEAR	78542	2576-72000					1 set	1 set		(1~2)
1	FLYWHEEL, W/T RING GEAR, ASSY	78629	2576-71100	1	1						
1'	FLYWHEEL, W/O RING GEAR, ASSY	78544	2576-72100					1	1		
2	MAGNETO, ASSY	78545	2576-71500	1	1			1	1		(2a~2c)
2a	COIL PLATE, ASSY	78557	2576-72300	(1)	(1)			(1)	(1)		
2b	IGNITION COIL, NO.1, ASSY	78932	2576-72600	(1)	(1)			(1)	(1)		
2c	IGNITION COIL, NO.2, ASSY	78634	2576-72700	(1)	(1)			(1)	(1)		
2b-a											
2c-a	IGNITION CORD, W/T PLUG CAP	78949	2576-72620	((2))	((2))			((2))	((2))		
2b-b											
2c-b	CAP, ignition coil	78137	2583-72630	((2))	((2))			((2))	((2))		
3	SCREW	78933	0260-30520	2	2			2	2		
4	SCREW	78142	0260-10620	4	4			4	4		
5	CLAMP	78147	2583-74220	1	1			1	1		
6	SPARK PLUG			2	2			2	2		

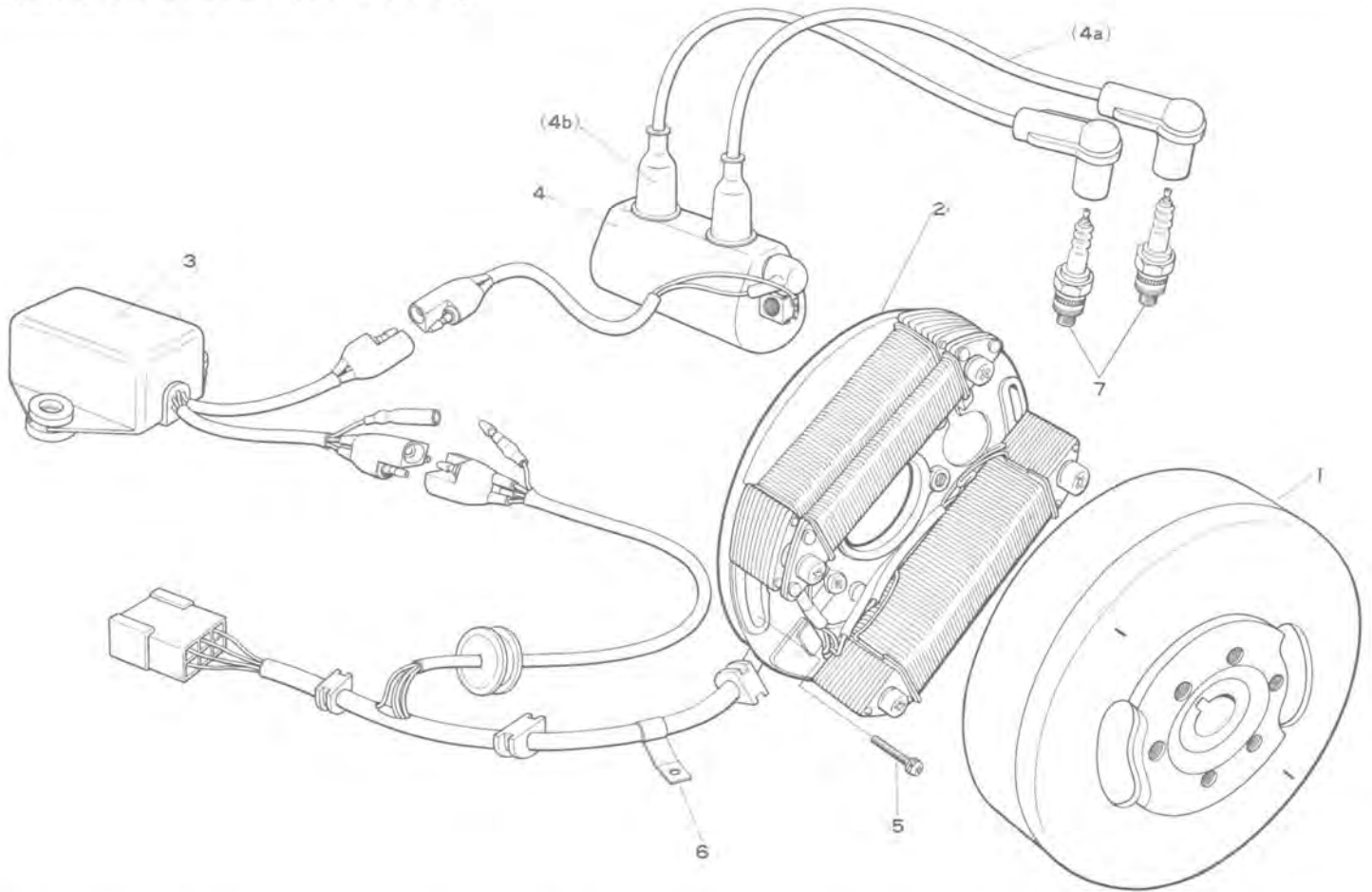


FIG. NO.	DESCRIPTION	CHAPARRAL NO.	FUJI NO.	G44B	G40B	G44BSS	G40BSS	G34B	G29B	G34BSS	REMARKS
	IGNITION SYSTEM	<b>78541</b>	2578-72001			1set	1set			1set	(1-4)
1	FLYWHEEL, ASSY	<b>78543</b>	2578-72100			1	1			1	
2	COIL PLATE, ASSY	<b>78631</b>	2578-72301			1	1			1	
3	CDI WNIT	<b>78633</b>	2578-72600			1	1			1	
4	IGNITION COIL	<b>78635</b>	2578-72700			1	1			1	
4a	IGNITION CORD, W/T PLUG CAP	<b>78637</b>	2578-72720			(2)	(2)			(2)	
4b	CAP, ignition coil	<b>78137</b>	2583-72630			(2)	(2)			(2)	
5	SCREW	<b>78933</b>	0260-30520			2	2			2	
6	CLAMP	<b>78147</b>	2583-74220			1	1			1	
7	SPARK PLUG					2	2			2	

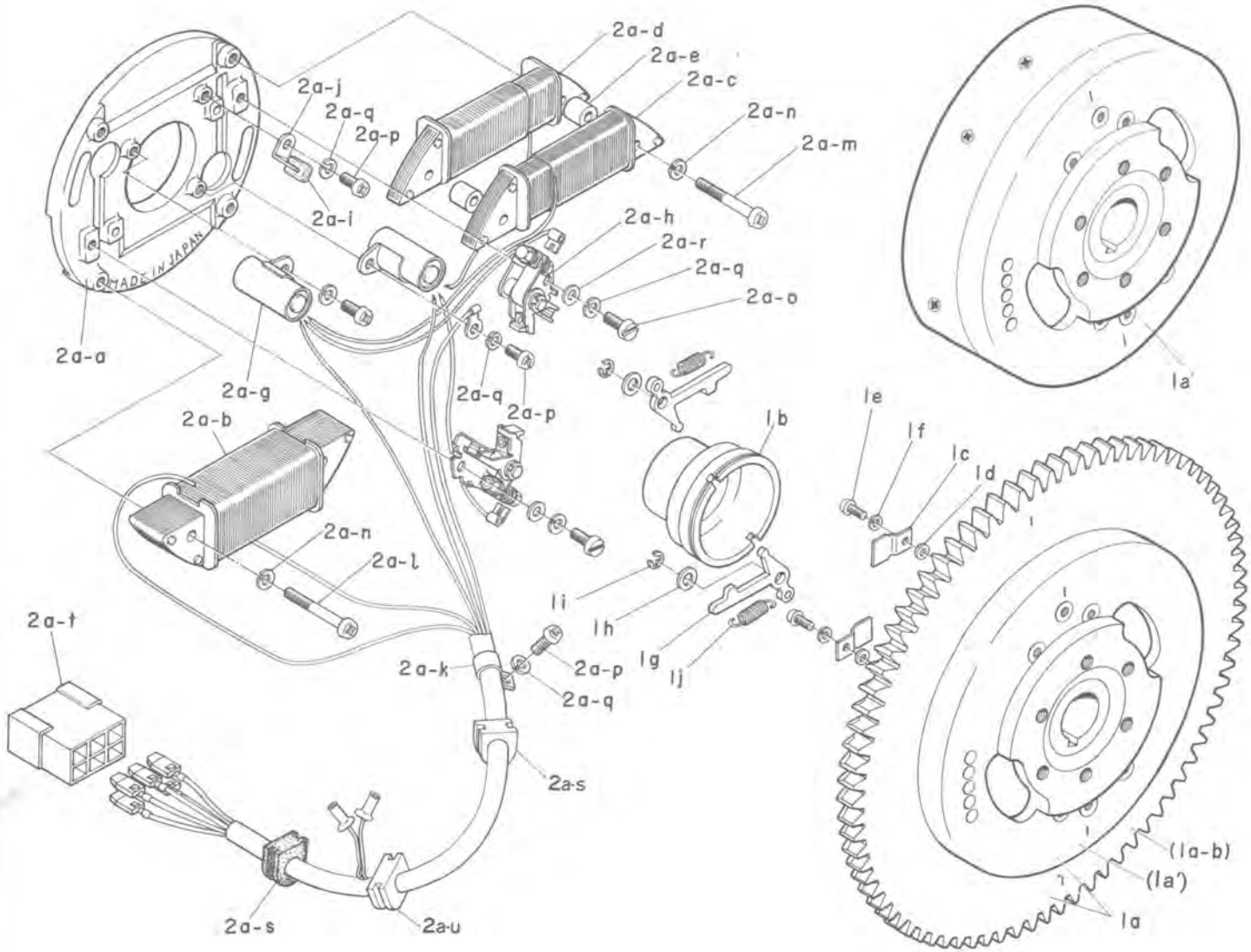


FIG. NO.	DESCRIPTION	CHAPARRAL NO.	FUJI NO.	G44B	G40B	G44BSS	G40BSS	G34B	G29B	G34BSS	REMARKS
	FLYWHEEL W/T RING GEAR, ASS'Y	(78629)	(2576-71100)	○	○						(1a~1j)
	FLYWHEEL W/O RING GEAR, ASS'Y	(78544)	(2576-72100)					○	○		(1a'~1j)
1a	FLYWHEEL W/T RING GEAR, comp.	78138	2576-71110	1	1						(1a-a~1a-b)
1a'	FLY WHEEL	78547	2576-72110	(1)	(1)			1	1		
1a'											
1a-b	RING GEAR	78361	2583-73110	(1)	(1)						
1b	CAM	78362	2583-72120	1	1			1	1		
1c	CAM STOPPER	78549	2576-72130	2	2			2	2		
1d	WASHER	78364	2583-72140	2~4	2~4			2~4	2~4		
1e	SCREW	78365	2583-72150	2	2			2	2		
1f	SPRING WASHER	78366	2583-72160	2	2			2	2		
1g	GOVERNOR WEIGHT	78553	2576-72170	2	2			2	2		
1h	WASHER	78364	2583-72140	2~4	2~4			2~4	2~4		
1i	SNAP RING	78369	2583-72180	2	2			2	2		
1j	GOVERNOR SPRING	78556	2576-72190	2	2			2	2		
	COIL PLATE, ASS'Y	(78557)	(2576-72300)	○	○			○	○		
2a-a	COIL PLATE	78641	2576-72310	1	1			1	1		
2a-b	LIGHTING COIL	78642	2576-72320	1	1			1	1		
2a-c	EXCITING COIL, NO.1	78374	2583-72330	1	1			1	1		
2a-d	EXCITING COIL, NO.2	78375	2583-72340	1	1			1	1		
2a-e	SPACER	78376	2583-72350	2	2			2	2		
2a-g	CONDENSER	78378	2583-72370	2	2			2	2		
2a-h	CONTACT BREAKER	78379	2583-72380	2	2			2	2		
2a-i	OIL FELT	78380	2583-72390	1	1			1	1		
2a-j	HOLDER, oil felt	78381	2583-72410	1	1			1	1		
2a-k	CLAMP	78382	2583-72420	1	1			1	1		
2a-l	SCREW lighting coil	78652	2576-72430	2	2			2	2		
2a-m	SCREW, exciting coil	78384	2583-72440	2	2			2	2		
2a-n	SPRING WASHER	78385	2583-72450	4	4			4	4		
2a-o	SCREW, contact breaker	78386	2583-72460	2	2			2	2		
2a-p	SCREW	78387	2583-72470	4	4			4	4		
2a-q	SPRING WASHER	78366	2583-72160	6	6			6	6		
2a-r	WASHER	78389	2583-72480	2	2			2	2		
2a-s	GROMMET A	78390	2583-72490	2	2			2	2		
2a-t	COUPLER	78391	2583-72510	1	1			1	1		
2a-u	GROMMET B	78660	2576-72520	1	1			1	1		



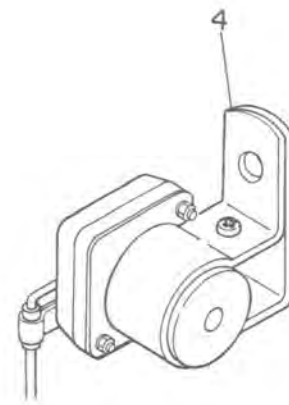
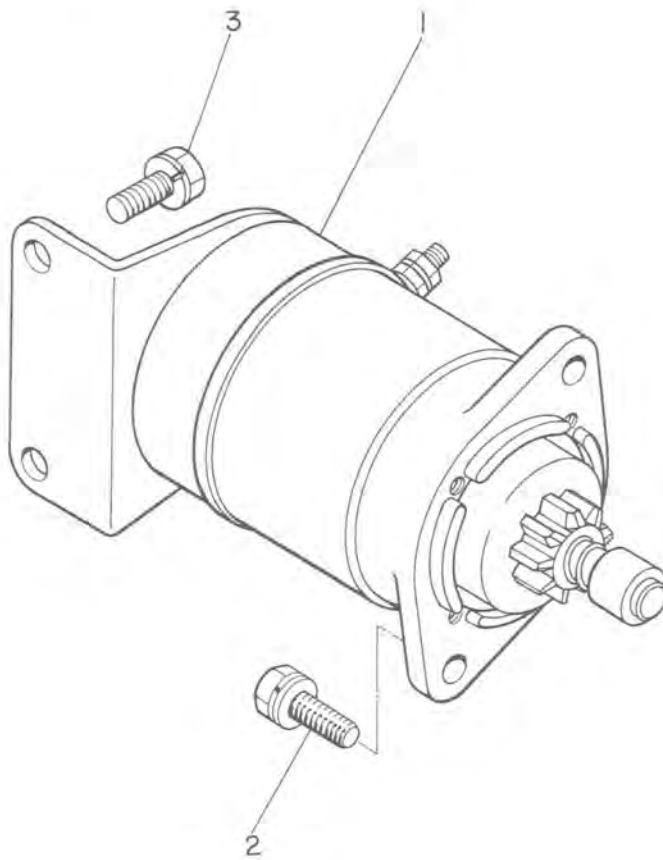


FIG. NO.	DESCRIPTION	CHAPARRAL NO.	FUJI NO.	G44B	G40B	G44BSS	G40BSS	G34B	G29B	G34BSS	REMARKS
1	STARTER MOTOR, ASSY	78416	2583-76100	1	1						
2	BOLT	78925	0224-50825	2	2						
3	BOLT	78420	0224-10820	2	2						
4	SWITCH, ASS'Y (SOLENOID)	78421	2583-76400	1	1						



