

# **ILLUSTRATED PARTS CATALOGUE**

**FOR**

**CCW TWO CYLINDER, TWO STROKE,  
AIR COOLED ENGINES**

(REVISED MARCH 1971)

**MODELS CCW 340**

**CCW 400**

**CCW 440**



***CANADIAN CURTISS-WRIGHT, LIMITED***  
***500 CARLINGVIEW DRIVE, REXDALE, ONTARIO***

## **EXPLANATION OF SERIAL NO. REFERENCE**

All engines in this Parts Book are referenced by Model No. and Serial No. This is done to facilitate location of the correct Part Nos. since the year of manufacture is not always known and modifications are not performed annually. Serial Nos. are seven digits in length and the number plate is located on the fan cover of the engine.

## **WHEN ORDERING PARTS:**

When ordering parts please call up the appropriate Part No., the name of the item and the quantity desired. Also, if known, please specify engine Model No. and Serial No.

## **SPECIAL TOOLING FOR CCW ENGINES:**

This Part's List contains a selection of non-standard tools for CCW engines. These are available and may be ordered by the Part Nos. provided on Page 33. The uses of these tools are fully described in the current service manuals on CCW engines.



# INDEX

CRANKCASES .....	8 - 9	COIL ASSEMBLY — Denso .....	22 - 23
CRANKSHAFTS .....	6 - 7	HIGH TENSION COILS & LEADS ..	24 - 25
CYLINDERS & HEADS .....	12 - 13	FLYWHEELS .....	26 - 27
ENGINE COVERS .....	16 - 17	NUMERICAL INDEX .....	3
EXHAUST MANIFOLDS .....	28 - 29	ORDERING PARTS — INSTRUCTIONS .....	1
FAN BELTS .....	10 - 11	PISTONS .....	6 - 7
FAN HOUSINGS .....	10 - 11	RECOIL STARTER .....	14 - 15
GASKET KITS .....	12 - 13	RECTIFIERS & RESISTERS .....	32 - 33
INTAKE MANIFOLDS .....	28 - 29	SERIAL NO. REFERENCE, EXPLANATION .....	1
MAGNETOS — IDENTIFICATION .....	18	SPECIAL TOOLING .....	1
COIL ASSEMBLY — SAWAFUJI ..	18 - 19	STARTER MOTOR .....	30 - 31
COIL ASSEMBLY — KOKUSAN ....	20 - 21	TOOLS & ACCESSORIES .....	32 - 33

## NUMERICAL INDEX

FOR MODELS: CCW 340  
CCW 400  
CCW 440

Part No.	Page	Key	Part No.	Page	Key	Part No.	Page	Key
10000150 .....	9	3	12000320 .....	7	8	18000260 .....	13	14
10000190 .....	9	19	12000330 .....	7	9	18000320 .....	13	13
10000820 .....	13	—	12000380 .....	13	2	18000330 .....	13	7
10000821 .....	15	2	12001030 .....	13	8	18000331 .....	29	2
10000830 .....	15	2	12001040 .....	29	8	18000340 .....	13	6
10000830 .....	15	3	12001070 .....	15	8	18000341 .....	13	6
10000840 .....	15	4	12001071 .....	15	9	18000350 .....	13	9
10000890 .....	15	5	12001080 .....	15	11	18000370 .....	13	15
10000900 .....	15	6	12001081 .....	15	11	18000390 .....	29	5
10000910 .....	15	7	12001082 .....	15	12	18000400 .....	29	1
10000930 .....	15	13	12001520 .....	9	12	18000410 .....	29	3
10000940 .....	15	14	12903010 .....	19	12	18000410 .....	13	—
10001111 .....	29	2	12904006 .....	21	18	18000430 .....	29	1
10906012 .....	10	18	12904007 .....	9	12	18000420 .....	29	7
10908020 .....	11	25	12904010 .....	21	12	18000440 .....	29	4
11000190 .....	10	25	12904012 .....	21	17	18000440 .....	29	1
11000330 .....	11	24	12905018 .....	21	15	18000450 .....	21	2
11000380 .....	10	24	12905022 .....	21	18	18000451 .....	21	2
11000422 .....	13	8	13000330 .....	21	15	18000460 .....	21	3
11000431 .....	13	2	13000340 .....	21	19	18000461 .....	21	3
11000470 .....	7	14	13001090 .....	23	17	18000470 .....	21	4
11900006 .....	25	13	14000670 .....	19	21	18000471 .....	21	4
11906010 .....	25	12	18000070 .....	21	24	18000472 .....	21	4
11906010 .....	7	13	18000080 .....	9	9	18000480 .....	21	27
11906010 .....	10	18	18000090 .....	9	8	18000490 .....	21	5
11906012 .....	11	18	18000140 .....	9	7	18000491 .....	21	5
11906015 .....	17	5	18000150 .....	7	6	18000510 .....	21	7
11906022 .....	17	6	18000151 .....	7	4	18000520 .....	21	8
11906022 .....	11	18	18000160 .....	7	3	18000530 .....	21	9
11906022 .....	9	11	18000170 .....	11	10	18000540 .....	25	8
11906065 .....	15	20	18000180 .....	10	2	18000570 .....	25	4
11908028 .....	15	17	18000200 .....	10	2	18000571 .....	21	10
11908035 .....	25	7	18000220 .....	11	2	18000571 .....	21	10
11908045 .....	9	13	18000230 .....	10	2	18000580 .....	19	10
11908065 .....	11	15	18000240 .....	11	2	18000581 .....	23	14
12000220 .....	10	15	18000260 .....	11	3	18000581 .....	25	3
	9	10	18000270 .....	10	3	18000590 .....	25	3
	9	12	18000280 .....	9	6	18000591 .....	21	11
	9	4	18000290 .....	9	8	18000591 .....	21	11
			18000300 .....	7	5	18000600 .....	27	3
			18000310 .....	7	6	18000610 .....	27	4
			18000320 .....	7	7	18000611 .....	27	4
			18000330 .....	7	8	18000620 .....	27	6
			18000340 .....	7	9	18000621 .....	27	6

# NUMERICAL INDEX Cont.

Part No.	Page	Key	Part No.	Page	Key	Part No.	Page	Key
18000630	27	13	18001350	25	7	19000100	7	5
18000631	27	13	18001600	13	1	19000110	7	8
18000640	27	14	18001610	31	2	19000120	7	9
18000650	25	1	18001620	31	3	19000190	13	13
18000660	25	11	18001630	31	4	19000200	13	7
18000670	25	10	18001640	31	5	19000210	13	6
18000680	27	7	18001650	31	6	19000211	13	6
18000681	27	7	18001670	31	8	19000230	29	1
18000690	27	8	18001680	31	9	19000250	19	2
	9	7	18001690	31	10	19000260	19	3
18000700	27	9	18001700	31	11	19000270	19	4
18000701	27	9	18001710	31	12	19000280	19	5
18000710	27	5	18001720	31	13	19000300	19	7
18000720	21	26	18001730	31	14	19000310	19	8
18000721	21	26	18001740	31	15	19000320	19	9
18000730	27	16	18001750	31	17	19000330	25	8
18000731	27	16	18001760	31	18	19000340	19	10
18000740	21	6	18001780	31	20	19000350	25	3
18000741	21	6	18001790	31	21	19000360	25	4
18000750	25	9	18001800	31	22	19000390	27	2
18000760	17	3	18001820	31	24	19000400	27	3
18000770	19	24	18001830	31	25	19000410	27	4
	21	30	18060000	11	1	19000420	27	5
18000771	21	30		10	1	19000430	27	6
	19	24	18060001	11	1	19000440	27	7
	23	13		10	1	19000450	27	8
18000790	25	—	18060003	11	1	19000460	27	9
18000800	25	2		10	1	19000480	19	6
	29	5	18070000	17	2	19000500	25	1
18000810	21	28	18080000	17	4	19000510	19	—
	19	26	18080001	17	4	19000520	19	—
18000811	19	26	18100000	15	2	19000540	25	2
	23	12	18100001	15	2	19000550	19	25
	21	28	18110000	15	10		21	31
18000820	21	29	18110001	15	10		23	10
	19	27	18500000	7	1	19000560	25	12
	7	14	18510000	21	1	19000600	11	9
18000821	21	29	18510001	21	1		10	9
	23	—	18510002	21	1	19000610	11	10
	19	27	18520000	27	2		10	10
18000870	11	13	18520001	27	2	19000620	11	10
	10	13	18540000	7	8		10	10
18000880	15	1	18550000	13	—	19030000	19	—
18000890	11	9	18560000	13	1	19030001	19	—
	10	9	18570000	9	2	19540000	7	8
18000900	11	10	18580000	13	2	19550000	13	—
	10	10	18590000	27	1	19560000	13	1
18000910	11	10	18590001	21	—	19580000	13	2
	10	10	18590001	27	1	19640000	7	5
18000950	11	7	18600000	21	—	19660000	27	1
	10	7	18600001	21	—		19	—
18000960	11	8	18600002	21	—	19680000	19	1
	10	8	18610000	33	1	19680001	19	1
	11	26	18620000	11	4	25000100	7	5
	10	26		10	4	25000110	7	6
18000970	10	11	18620001	11	4	25000180	29	2
	11	11		10	4	25000190	13	13
18000990	11	26	18640000	7	5	25000200	13	7
	10	26	18650000	9	1	25000210	13	6
18001010	17	1	18750000	31	7	25000240	29	5
18001080	11	14	18760000	31	16	25000250	29	1
	10	14	18770000	31	19	25000260	29	7
18001081	11	14	18780000	31	23	25000270	29	3
	10	14	18800001	9	1	25000400	23	2
18001082	11	14	18903010	23	27	25000410	23	3
18001083	11	14	18904005	27	11	25000420	23	4
18001090	25	5	18904007	21	20	25000430	23	5
18001100	31	1		23	24	25000440	23	6
18001110	11	18	18904008	27	10	25000450	23	7
	10	18		19	15	25000460	23	8
18001120	11	—		23	23	25000470	23	9
18001121	11	—		21	20	25000490	25	10
	10	—	18904010	21	18	25000500	25	11
18001290	9	13		23	22	25000510	25	8
18001300	9	10	18905008	27	13	25000520	25	1
18001310	11	15	18905025	21	21	25000530	25	2
	10	15	18905030	21	23	25000540	27	3
18001320	9	12	18905030	23	19	25000550	27	4
18001330	11	25	18905032	23	18	25000560	27	5
	10	25	18905035	19	19	25000570	27	6

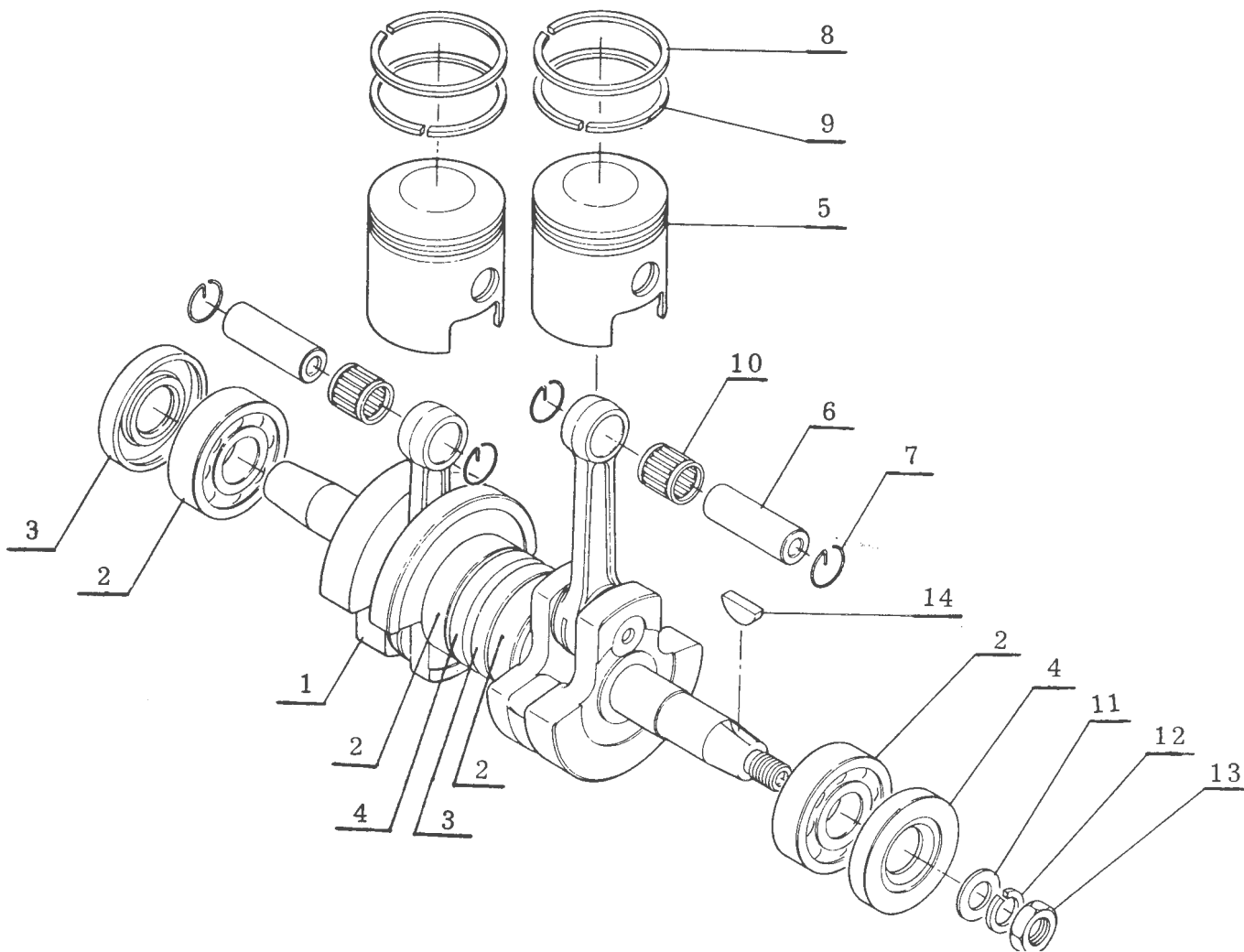
# NUMERICAL INDEX Cont.

Part No.	Page	Key	Part No.	Page	Key	Part No.	Page	Key
25000580	27	7	38640000	7	5	45900012	11	22
25000590	27	8	38900008	9	14		10	22
25000600	27	9		11	23	45900014	7	11
25050000	23	—		10	23	47900003	19	13
25070000	17	2		13	10		21	13
25500000	7	1	39000100	7	5		23	26
25510000	23	1	39000200	13	7	47900004	27	11
25520000	27	2	39000210	13	6		27	12
25540000	7	8	39560000	13	1		19	16
25550000	13	—	39580000	13	2		21	16
25560000	13	1	39640000	7	5		23	21
25580000	13	2	39900008	29	4	47900005	27	14
25590000	27	1	39900010	29	4		19	20
25600000	23	—	40900010	29	4		21	22
25640000	7	5	43071000	33	—		23	16
35000200	13	7	43071510	33	—	47900006	11	19
35000210	13	6	43071940	33	—		10	19
35000240	29	5	43078520	25	14		15	18
35000430	29	1		23	5		25	6
35000970	11	13	43079090	33	8		29	3
35000980	11	9	43079170	33	6	47900008	9	15
35001000	11	10	43079250	33	10		11	16
35001010	11	12	43079760	33	7		10	16
35001060	11	5	43079840	33	9		13	10
35001110	17	1	45900003	19	11		15	15
35070000	17	2		21	14		27	15
35080000	17	4		23	25	47900012	11	21
35560000	13	1	45900004	27	12		10	21
	13	2		19	17	47900014	7	12
37900008	9	14		21	17	47906065	25	7
	11	23		23	20	48900003	27	10
	13	10	45900005	19	22		19	23
	15	16		21	25	50900040	11	6
38000200	7	5		23	15		10	6
38000330	13	7	45900006	11	20	52900025	11	12
38000340	13	6		10	20		10	12
38000780	25	14		15	19	52900026	11	12
38500000	7	1	45900008	9	16		10	12
38500001	7	1		11	17	64906305	7	2
38560000	13	1		10	17	66906203	11	5
38580000	13	2		13	12		10	5

# CANADIAN CURTISS-WRIGHT LIMITED

## Two Cylinder Engines

### PISTON AND CRANKSHAFT



# CCW 340 All Models

190000  
-1999999

290000  
-2999999

390000  
-3999999

KEY	DESCRIPTION	QTY.	PART NO.	PART NO.	PART NO.	REMARKS
1-4	CRANKSHAFT ASSY.	1	18500000	18500000	38500000	EACH KIT CONTAINS RINGS FOR ONLY ONE PISTON.
2	— BALL BEARING	4	64906305	64906305	64906305	
3	— OIL SEAL (Rear Face)	2	18000070	18000070	18000080	
4	— OIL SEAL (Front Face)	2	18000080	18000080	18000080	
5-9	PISTON ASSY.	2	19640000	19640000	39640000	
5	— PISTON	2	19000100	19000100	39000100	
6	— PISTON PIN	2	18000210	18000210	18000210	
7	— CIRCLIP	4	18000220	18000220	18000220	
8-9	PISTON RING KIT	2	19540000	19540000	19540000	
8	— PISTON RING #1	2	19000110	19000110	19000110	
9	— PISTON RING #2	2	19000120	19000120	19000120	
10	NEEDLE BEARING	2	18000090	18000090	18000090	
11	WASHER 14 O	1	45900014	45900014	45900014	
12	SPRING WASHER 14 Ø	1	47900014	47900014	47900014	
13	NUT	1	11000470	11000470	11000470	
14	WOODRUFF KEY	1	11000380	11000380	18000820	

# CCW 400 All Models

180000  
-1899999

280000  
-2899999

380000  
-3899999

KEY	DESCRIPTION	QTY.	PART NO.	PART NO.	PART NO.	REMARKS
1-4	CRANKSHAFT ASSY.	1	18500000	18500000	38500000	EACH KIT CONTAINS RINGS FOR ONLY ONE PISTON.
2	— BALL BEARING	4	64906305	64906305	64906305	
3	— OIL SEAL (Rear Face)	2	18000070	18000070	18000080	
4	— OIL SEAL (Front Face)	2	18000080	18000080	18000080	
5-9	PISTON ASSY.	2	18640000	18640000	38640000	
5	— PISTON	2	18000200	18000200	38000200	
6	— PISTON PIN	2	18000210	18000210	18000210	
7	— CIRCLIP	4	18000220	18000220	18000220	
8-9	PISTON RING KIT	2	18540000	18540000	18540000	
8	— PISTON RING #1	2	18000230	18000230	18000230	
9	— PISTON RING #2	2	18000240	18000240	18000240	
10	NEEDLE BEARING	2	18000090	18000090	18000090	
11	WASHER 14 Ø	1	45900014	45900014	45900014	
12	SPRING WASHER 14 Ø	1	47900014	47900014	47900014	
13	NUT	1	11000470	11000470	11000470	
14	WOODRUFF KEY	1	11000380	11000380	18000820	

# CCW 440 All Models

250000  
-2599999

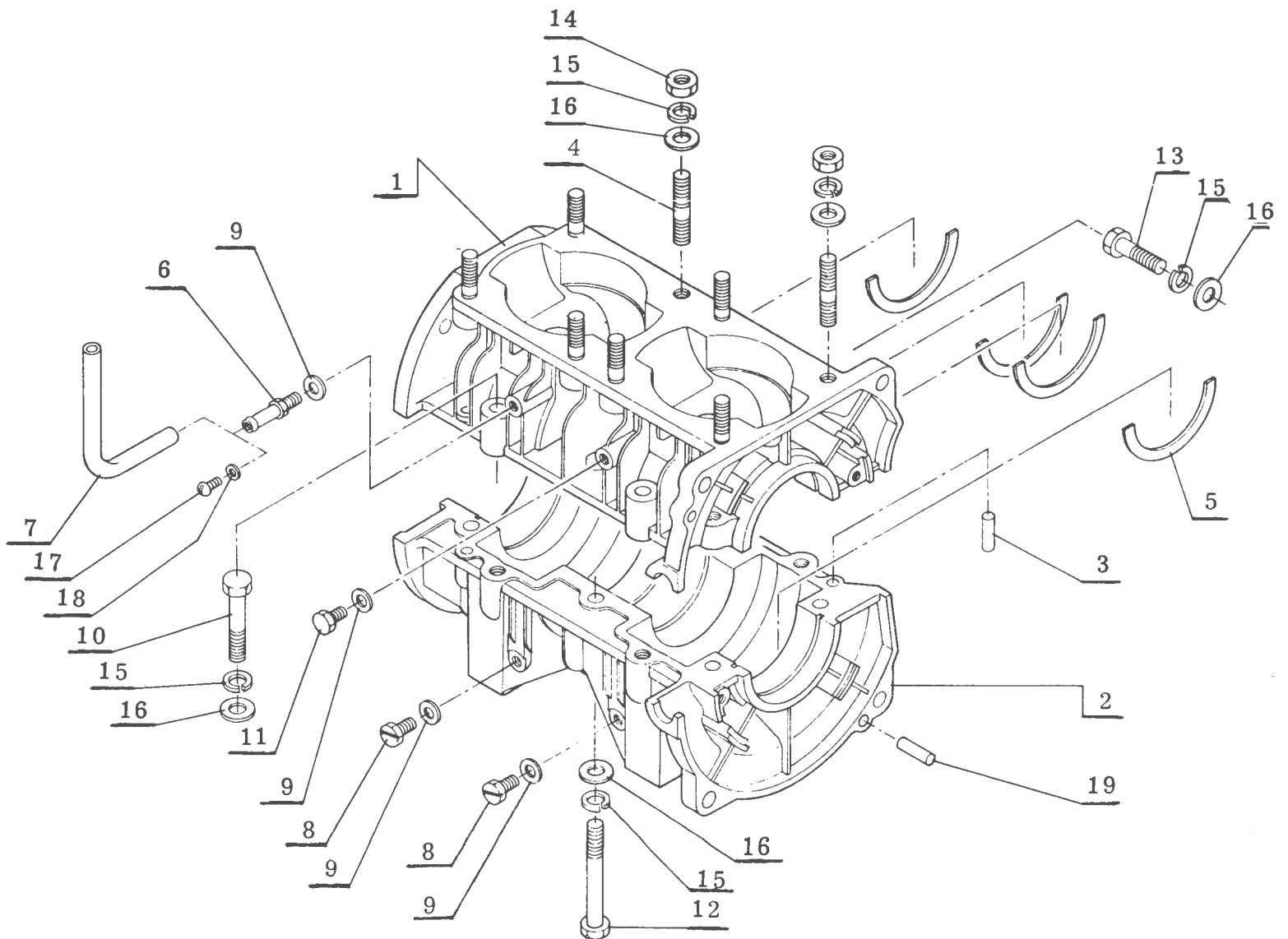
350000  
-3599999

KEY	DESCRIPTION	QTY.	PART NO.	PART NO.	PART NO.	REMARKS
1-4	CRANKSHAFT ASSY.	1	25500000	38500001		EACH KIT CONTAINS RINGS FOR ONLY ONE PISTON.
2	— BALL BEARING	4	64096305	64096305		
3-4	— OIL SEAL	4	18000080	18000080		
5-9	PISTON ASSY.	2	25640000	25640000		
5	— PISTON	2	25000100	25000100		
6	— PISTON PIN	2	25000110	25000110		
7	— CIRCLIP	4	18000220	18000220		
8-9	PISTON RING KIT	2	25540000	25540000		
8	— PISTON RING #1	2	12000320	12000320		
9	— PISTON RING #2	2	12000330	12000330		
10	NEEDLE BEARING	2	18000090	18000090		
11	WASHER 14 O	1	45900014	45900014		
12	SPRING WASHER 14 Ø	1	47900014	47900014		
13	NUT	1	11000470	11000470		
14	WOODRUFF KEY	1	11000380	11000380		

# CANADIAN CURTISS-WRIGHT LIMITED

## Two Cylinder Engines

### CRANKCASE



# CCW 340 All Models

1900000  
-1999999

2900000  
-2999999

3900000  
-3999999

KEY	DESCRIPTION	QTY.	PART NO.	PART NO.	PART NO.	REMARKS
1	CRANKCASE UPPER	1	18650000	18650000	18800001	SUPPLIED ONLY AS MATCHED SET OF PART 1 - 4.  FOR VERTICAL INLET MANIFOLD. SEE CYL. BREAKDOWN FOR GASKET KIT.  NO LONGER REQ'D. NO LONGER REQ'D.
2	CRANKCASE LOWER	1	18570000	18570000	18800001	
3	— DOWEL PINS	2	10000150	10000150	10000150	
4	— STUD BOLTS	8	12000220	12000220	12000220	
5	CIRCLIP	4	18000140	18000140	18000140	
6	CONNECTOR, HOSE	1	14000670	18000170	18000170	
7	HOSE, CARB. PUMP	1	13001090	13001090	13001090	
7	HOSE, CARB. PUMP	1	—	18000690	18000690	
8	DRAIN BOLT	2	18000180	13000340	13000340	
9	GASKET	4	10000190	13000330	13000330	
10	BOLT 8 x 45	6	11908045	18001300	18001300	
11	BOLT 6 x 12	1	11906012	11906012	11906012	
12	BOLT 8 x 65	4	11908065	18001320	18001320	
13	BOLT 8 x 28	4	11908028	18001290	18001290	
14	NUT 8 0	8	38900008	38900008	37900008	
15	SPRING WASHER 8 Ø	22	47900008	47900008	47900008	
16	WASHER 8 Ø	22	45900008	45900008	45900008	
17	SCREW 4 x 6	1	12904006	—	—	
18	GASKET	1	12904006	—	—	
19	DOWEL PINS	2	10000150	10000150	10000150	

# CCW 400 All Models

1800000  
-1899999

2800000  
-2899999

3800000  
-3899999

KEY	DESCRIPTION	QTY.	PART NO.	PART NO.	PART NO.	REMARKS
1	CRANKCASE UPPER	1	18650000	18650000	18800001	SUPPLIED ONLY AS MATCHED SET OF PART 1 - 4.  FOR VERTICAL INLET MANIFOLD. SEE CYL. BREAKDOWN FOR GASKET KIT.  NO LONGER REQ'D. NO LONGER REQ'D.
2	CRANKCASE LOWER	1	18570000	18570000	18800001	
3	— DOWEL PINS	2	10000150	10000150	10000150	
4	— STUD BOLTS	8	12000220	12000220	12000220	
5	CIRCLIP	4	18000140	18000140	18000140	
6	CONNECTOR, HOSE	1	14000670	18000170	18000170	
7	HOSE, CARB. PUMP	1	13001090	13001090	13001090	
7	HOSE, CARB. PUMP	1	—	18000690	18000690	
8	DRAIN BOLT	2	18000180	13000340	13000340	
9	GASKET	4	10000190	13000330	13000330	
10	BOLT 8 x 45	6	11908045	18001300	18001300	
11	BOLT 6 x 12	1	11906012	11906012	11906012	
12	BOLT 8 x 65	4	11908065	18001320	18001320	
13	BOLT 8 x 28	4	11908028	18001290	18001290	
14	NUT 8 Ø	8	38900008	38900008	37900008	
15	SPRING WASHER 8 Ø	22	47900008	47900008	47900008	
16	WASHER 8 Ø	22	45900008	45900008	45900008	
17	SCREW 4 x 6	1	12904006	—	—	
18	GASKET	2	12001520	—	—	
19	DOWEL PINS	2	10000150	10000150	10000150	

# CCW 440 All Models

2500000  
-2599999

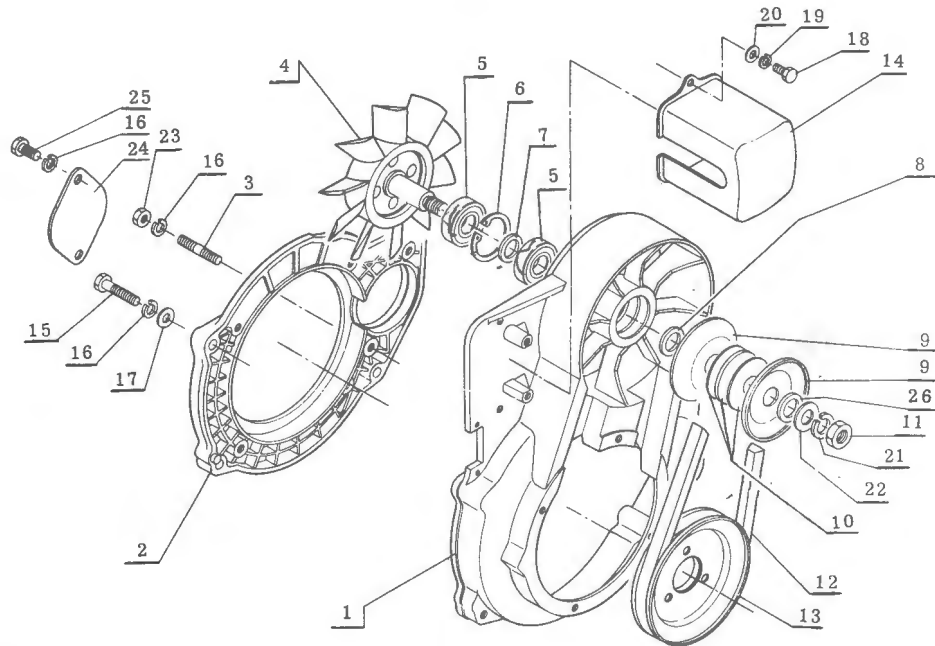
3500000  
-3599999

KEY	DESCRIPTION	QTY.	PART NO.	PART NO.	PART NO.	REMARKS
1 & 2	CRANKCASE	1	18800001	18800001		SUPPLIED ONLY AS AN ASSY. PART 1-4.  SEE CYLINDER BREAK- DOWN FOR GASKET KIT.
3	— DOWEL PINS	2	10000150	10000150		
4	— STUD BOLTS	8	12000220	12000220		
5	CIRCLIP	4	18000140	18000140		
6	CONNECTOR, HOSE	1	18000170	18000170		
7	HOSE, CARB. PUMP	1	13001090	13001090		
8	DRAIN BOLT	2	13000340	13000340		
9	GASKET	4	13000330	13000330		
10	BOLT 8 x 45	6	18001300	18001300		
11	BOLT 6 x 12	1	10906012	10906012		
12	BOLT 8 x 65	4	18001320	18001320		
13	BOLT 8 x 28	4	18001290	18001290		
14	NUT 8 0	8	37900008	37900008		
15	SPRING WASHER 8 Ø	22	47900008	47900008		
16	WASHER 8 Ø	22	45900008	45900008		
19	DOWEL PINS	2	10000150	10000150		

# CANADIAN CURTISS-WRIGHT LIMITED

## Two Cylinder Engines

### FAN COVER ASSEMBLY



#### CCW 340 All Models

1900000      2900000      3900000  
-1999999    -2999999    -3999999

KEY	DESCRIPTION	QTY.	PART NO.	PART NO.	PART NO.	REMARKS
1	FAN COVER	1	18060000	18060001	18060003	
2	FAN COVER CASE	1	18000150	18000150	18000151	
3	STUD BOLT	2	18000160	18000160	18000160	MODELS E & G
4	FAN	1	18620000	18620001	18620001	
5	BALL BEARING	2	66906203	66906203	66906203	
6	CIRCLIP	1	50900040	50900040	50900040	
7	WASHER	1	18000950	18000950	18000950	
8	WASHER	1	18000960	18000960	18000960	
9	PULLEY	2	19000600	18000890	18000890	
10	SPACER (Thick)	1	19000610	18000900	18000900	
10	SPACER (Thin)	2	19000620	18000910	18000910	
11	NUT	1	18000970	18000970	18000970	
12	"V" BELT	1	52900026	52900025	52900025	
13	PULLEY	1	18000870	18000870	18000870	
14	COIL COVER	1	18001080	18001081	18001081	
15	BOLT 8 x 35	4	11908035	18001310	18001310	
16	SPRING WASHER 8 Ø	6	47900008	47900008	47900008	
17	WASHER 8 Ø	4	45900008	45900008	45900008	
18	BOLT 6 x 10	2	11906010	—	—	
18	SCREW	2	—	18001110	—	
18	BOLT 6 x 12	2	—	—	10906012	
19	SPRING WASHER 6 Ø	2	47900006	—	—	
20	WASHER 6 Ø	2	45900006	—	45900006	
21	SPRING WASHER 12 Ø	1	47900012	47900012	47900012	
22	WASHER 12 Ø	1	45900012	45900012	45900012	
23	NUT 8 Ø	2	—	38900008	38900008	MODELS E & G
24	COVER PLATE	1	11000190	11000190	11000190	MODELS S & G
25	BOLT 8 x 20	2	10908020	18001330	18001330	MODEL S
26	SPACER (Outside) COIL COVER WASHER	1 2	18000960 —	18000990 —	18000990 18001121	

# CCW 400 All Models

1800000  
-1899999

2800000  
-2899999

3800000  
-3899999

KEY	DESCRIPTION	QTY.	PART NO.	PART NO.	PART NO.	REMARKS
1	FAN COVER	1	18060000	18060001	18060003	MODELS E & G
2	FAN COVER CASE	1	18000150	18000150	18000151	
3	STUD BOLT	2	18000160	18000160	18000160	
4	FAN	1	18620000	18620001	18620001	
5	BALL BEARING	2	66906203	66906203	66906203	
6	CIRCLIP	1	50900040	50900040	50900040	
7	WASHER	1	18000950	18000950	18000950	
8	WASHER	1	18000960	18000960	18000960	
9	PULLEY	2	19000600	18000890	18000890	
10	SPACER (Thick)	1	19000610	18000900	18000900	
10	SPACER (Thin)	2	19000620	18000910	18000910	
11	NUT	1	18000970	18000970	18000970	
12	"V" BELT	1	52900025	52900025	35001010	
13	PULLEY	1	18000870	18000870	18000870	
14	COIL COVER	1	18001080	18001080	18001081	
15	BOLT 8 x 35	4	11908035	18001310	18001310	
16	SPRING WASHER 8 Ø	6	47900008	47900008	47900008	
17	WASHER 8 Ø	4	45900008	45900008	45900008	
18	BOLT 6 x 10	2	11906010	—	—	
18	BOLT 6 x 12	2	—	—	10906012	
18	SCREW	2	—	18001110	18001110	
19	SPRING WASHER 6 Ø	2	47900006	—	—	
20	WASHER 6 Ø	2	45900006	—	45900006	
21	SPRING WASHER 12 Ø	1	47900012	47900012	47900012	
22	WASHER 12 Ø	1	45900012	45900012	45900012	
23	NUT 8 Ø	2	—	38900008	38900008	
24	COVER PLATE	1	11000190	11000190	11000190	MODELS S & G
25	BOLT 8 x 20	2	10908020	18001330	18001330	MODEL S
26	SPACER (Outside)	1	18000960	18000990	18000990	
	COIL COVER WASHER	2	—	—	18001121	

# CCW 440 All Models

2500000  
-2599999

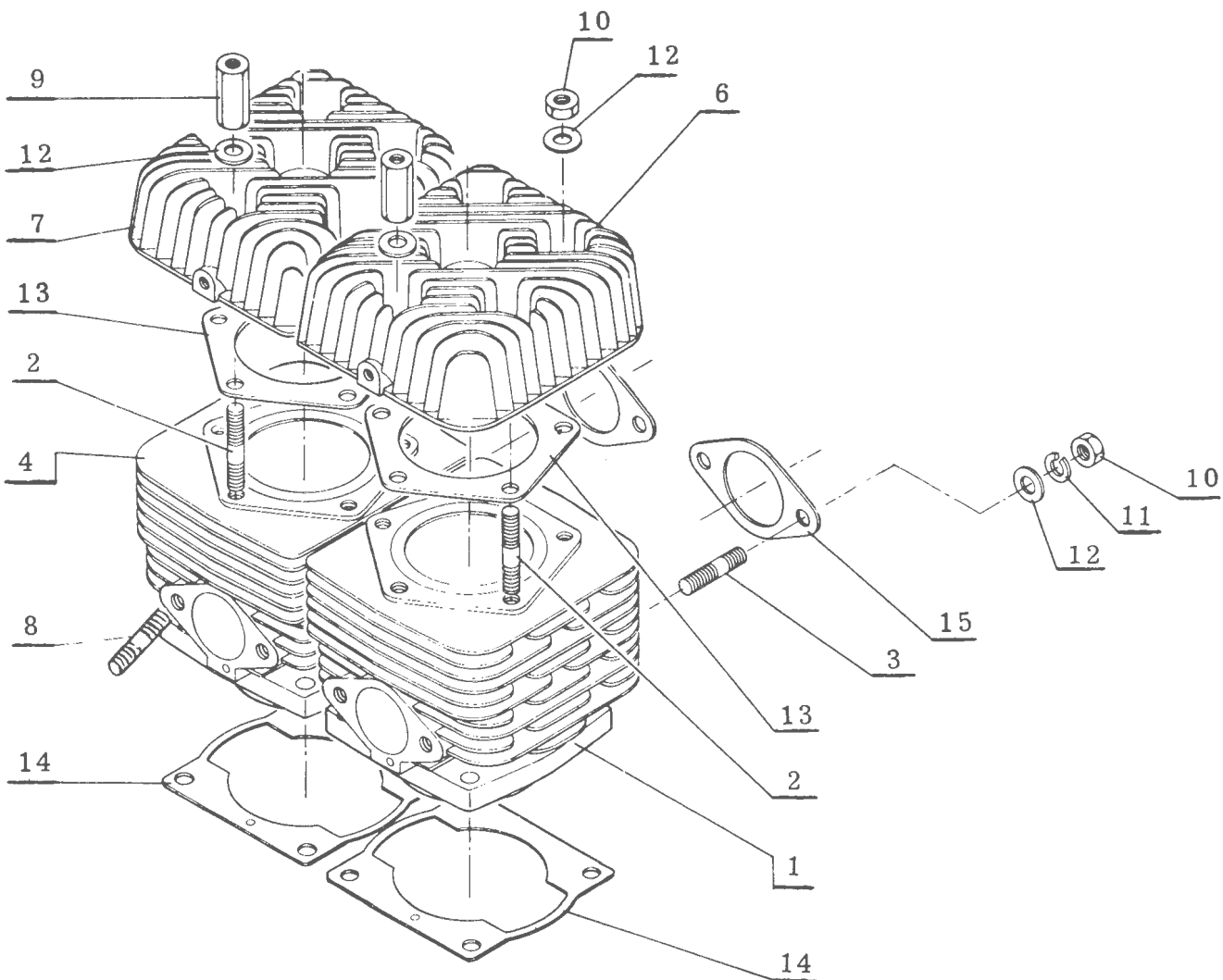
3500000  
-3599999

KEY	DESCRIPTION	QTY.	PART NO.	PART NO.	PART NO.	REMARKS	
1	FAN COVER	1	18060003	18060003		MODELS E & G	
2	FAN COVER CASE	1	18000151	18000151			
3	STUD BOLT	2	18000160	18000160			
4	FAN	1	18620000	18620000			
5	BALL BEARING	2	66906203	35001060			
6	CIRCLIP	1	50900040	50900040			
7	WASHER	1	18000950	18000950			
8	WASHER	1	18000960	18000960			
9	PULLEY	2	18000890	35000980			
10	SPACER (Thick)	1	18000900	—			
10	SPACER (Thin)	2	18000910	—			
10	SPACER	3	—	35001000			
11	NUT	1	18000970	18000970			
12	"V" BELT	1	52900025	35001010			
13	PULLEY	1	18000870	35000970			
14	COIL COVER	1	18001082	18001083			
15	BOLT 8 x 35	4	18001310	18001310			
16	SPRING WASHER 8 Ø	6	47900008	47900008			
17	WASHER 8 Ø	4	45900008	45900008			
18	BOLT 6 x 12	2	10906012	10906012			
20	WASHER 6 Ø	2	45900006	45900006			
21	SPRING WASHER 12 Ø	1	47900012	47900012			
22	WASHER 12 Ø	1	45900012	45900012			
23	NUT 8 Ø	2	37900008	37900008			MODELS E & G
24	COVER PLATE	1	11000190	11000190			MODELS S & G
26	SPACER (Outside)	1	18000990	18000990			
	COIL COVER WASHER	2	18001120	18001121			

# CANADIAN CURTISS-WRIGHT LIMITED

## Two Cylinder Engines

### CYLINDER ASSEMBLY



# CCW 340 All Models

1900000  
-1999999

2900000  
-2999999

3900000  
-3999999

KEY	DESCRIPTION	QTY.	PART NO.	PART NO.	PART NO.	REMARKS
1-3, 8	CYL. ASSY. (Fan End)	1	19560000	19560001	39560000	NOTE: TWO GASKET KITS ARE REQUIRED TO REPLACE ALL GASKETS IN ENGINE. EACH KIT WILL GASKET ONLY ONE CYLINDER.
2-4, 8	CYL. ASSY. (P.T.O. End)	1	19580000	19580001	39580000	
2	STUD BOLT (CYL. HD.)	10	12000380	12000380	12000380	
3	— STUD BOLT (Exhaust)	4	11000330	11000330	11000330	
8	— STUD BOLT (Intake)	4	12000380	12000380	12000380	
6	CYL. HEAD (Fan End)	1	19000210	19000211	39000210	
7	CYL. HEAD (P.T.O. End)	1	19000200	19000201	39000200	
9	NUT	2	18000350	18000350	18000350	
10	NUT 8Ø	12	38900008	38900008	37900008	
11	SPRING WASHER 8Ø	4	47900008	47900008	47900008	
12	WASHER 8Ø	14	45900008	45900008	45900008	
	<b>GASKET KIT</b>	2	19550000	19550000	19550000	
13	— CYL. HEAD GASKET	2	19000190	19000190	19000190	
14	— CYL. BASE GASKET	2	18000260	18000260	18000260	
15	— EXH. FLANGE GASKET	2	18000370	18000370	18000370	
	— INTAKE FLANGE GASKET	2	18000410	18000410	18000410	
	— DRAIN BOLT GASKETS	4	10000190	10000190	10000190	

# CCW 400 All Models

1800000  
-1899999

2800000  
-2899999

3800000  
-3899999

KEY	DESCRIPTION	QTY.	PART NO.	PART NO.	PART NO.	REMARKS
1-3, 8	CYL. ASSY. (Fan End)	1	18560000	18560000	38560000	NOTE: TWO GASKET KITS ARE REQUIRED TO REPLACE ALL GASKETS IN ENGINE. EACH KIT WILL GASKET ONLY ONE CYLINDER.
2-4, 8	CYL. ASSY. (P.T.O. End)	1	18580000	18580000	38580000	
2	— STUD BOLT (Cyl. Hd.)	10	12000380	12000380	12000380	
3	— STUD BOLT (Exhaust)	4	11000330	11000330	11000330	
8	— STUD BOLT (Intake)	4	12000380	12000380	12000380	
6	CYL. HEAD (Fan End)	1	18000340	18000341	38000340	
7	CYL. HEAD (P.T.O. End)	1	18000330	18000331	38000330	
9	NUT	2	18000350	18000350	18000350	
10	NUT 8Ø	12	38900008	38900008	37900008	
11	SPRING WASHER 8Ø	4	47900008	47900008	47900008	
12	WASHER 8Ø	14	45900008	45900008	45900008	
	<b>GASKET KIT</b>	2	18550000	18550000	18550000	
13	— CYL. HEAD GASKET	2	18000320	18000320	18000320	
14	— CYL. BASE GASKET	2	18000260	18000260	18000260	
15	— EXH. FLANGE GASKET	2	18000370	18000370	18000370	
	— INTAKE FLANGE GASKET	2	18000410	18000410	18000410	
	— DRAIN BOLT GASKETS	4	10000190	10000190	10000190	

# CCW 440 All Models

2500000  
-2599999

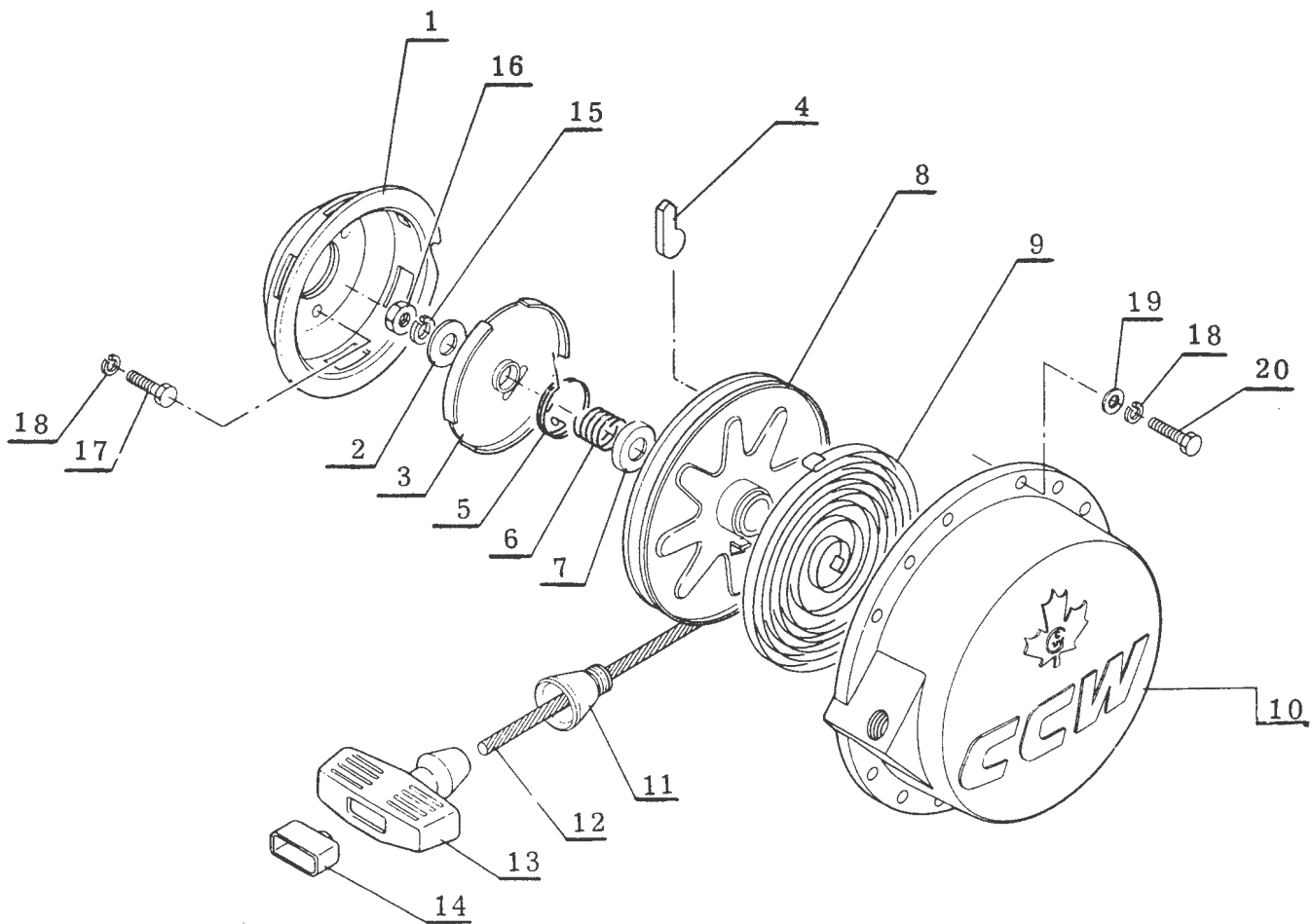
3500000  
-3599999

KEY	DESCRIPTION	QTY.	PART NO.	PART NO.	PART NO.	REMARKS
1-3, 8	CYL. ASSY. (Fan End)	1	25560000	35560000		NOTE: TWO GASKET KITS ARE REQUIRED TO REPLACE ALL GASKETS IN ENGINE. EACH KIT WILL GASKET ONLY ONE CYLINDER.
2-4, 8	CYL. ASSY. (P.T.O. End)	1	25580000	35580000		
2	— STUD BOLT (Cyl. Hd.)	10	12000380	12000380		
3	— STUD BOLT (Exhaust)	4	11000330	11000330		
8	— STUD BOLT (Intake)	4	11000330	11000330		
6	CYL. HEAD (Fan End)	1	25000210	35000210		
7	CYL. HEAD (P.T.O. End)	1	25000200	35000200		
9	NUT	2	18000350	18000350		
10	NUT 8Ø	8	37900008	37900008		
11	SPRING WASHER 8Ø	8	47900008	47900008		
12	WASHER 8Ø	14	45900008	45900008		
	<b>GASKET KIT</b>	2	25550000	25550000		
13	— CYL. HEAD GASKET	2	25000190	25000190		
14	— CYL. BASE GASKET	2	18000260	18000260		
15	— EXH. FLANGE GASKET	2	18000370	18000370		
	— INTAKE FLANGE GASKET	2	18000410	18000410		
	— DRAIN BOLT GASKETS	4	10000190	10000190		

# CANADIAN CURTISS-WRIGHT LIMITED

## Two Cylinder Engines

### RECOIL STARTER



**CCW 340 All Models**

1900000  
-1999999

2900000  
-2999999

3900000  
-3999999

**CCW 400 All Models**

1800000  
-1899999

2800000  
-2899999

3800000  
-3899999

**CCW 440 All Models**

2500000  
-2599999

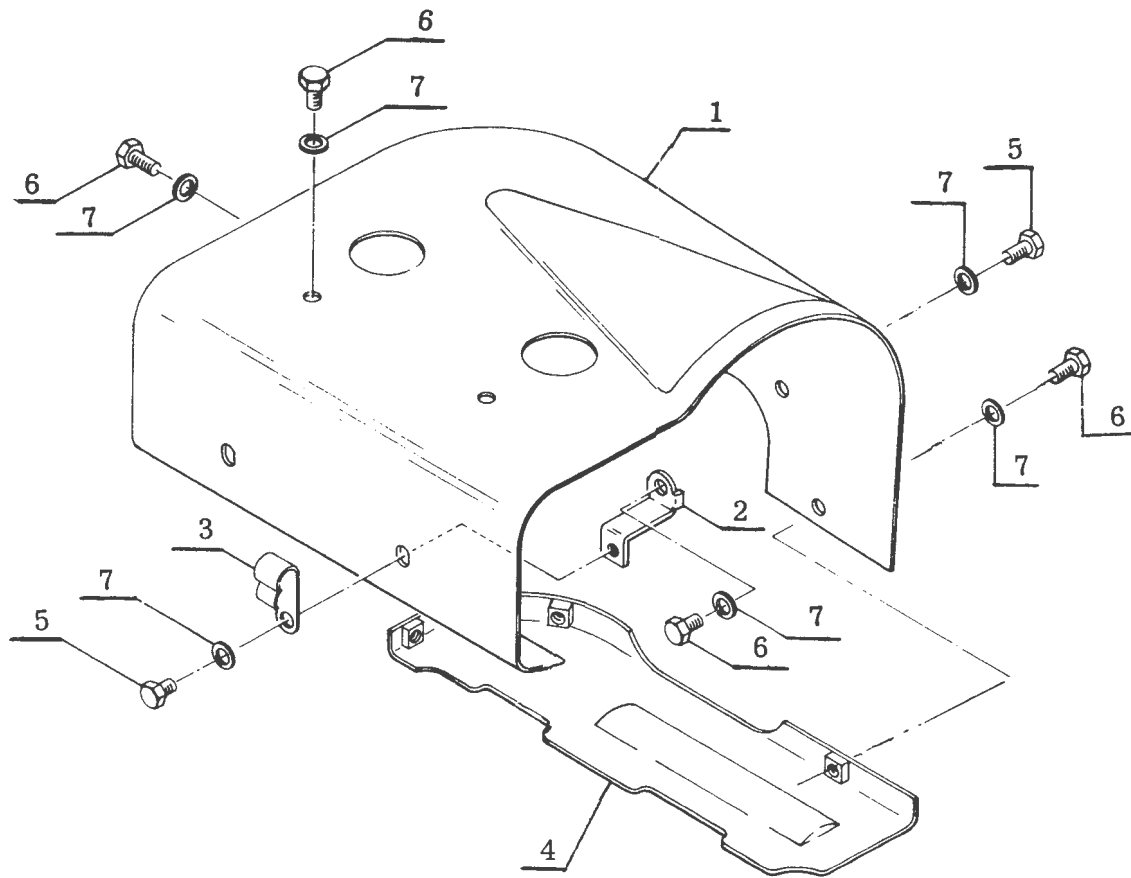
3500000  
-3599999

KEY	DESCRIPTION	QTY.	PART NO.	PART NO.	PART NO.	REMARKS
1	STARTER PULLEY	1	18000880	18000880	18000880	
2-16	RECOIL STARTER ASSY.	1	18100000	18100001	18100001	
2	— WASHER	1	10000820	10000820	10000821	
3	— FRICTION PLATE	1	10000830	10000830	10000830	
4	— PAWL	3	10000840	10000840	10000840	
5	— RETURN SPRING	1	10000890	10000890	10000890	
6	— SPRING	1	10000900	10000900	10000900	
7	— WASHER	1	10000910	10000910	10000910	
8	— REEL	1	12001030	12001030	12001030	
9	— MAIN SPRING	1	12001040	12001040	12001040	
10	— CASE	1	18110000	18110001	18110001	
11	— ROPE GUIDE	1	12001070	12001071	12001071	
12	— ROPE	1	12001080	12001080	12001080	
13	— HANDLE	1	10000930	10000930	10000930	
14	— END PIECE	1	10000940	10000940	10000940	
15	— SPRING WASHER 8 Ø	1	47900008	47900008	47900008	
16	— NUT 8 Ø	1	39900008	39900008	39900008	
17	BOLT 6 x 22	3	11906022	11906022	11906022	
18	SPRING WASHER 6 Ø	7	47900006	47900006	47900006	
19	WASHER 6 Ø	4	45900006	45900006	45900006	
20	BOLT 6 x 15	4	—	—	11906015	
20	BOLT 6 x 22	4	11906022	11906022	—	

# CANADIAN CURTISS-WRIGHT LIMITED

## Two Cylinder Engines

### CYLINDER COVER



# CCW 340 All Models

1900000  
-1999999

2900000  
-2999999

3900000  
-3999999

KEY	DESCRIPTION	QTY.	PART NO.	PART NO.	PART NO.	REMARKS
1	CYLINDER COVER	1	18001010	18001010	18001010	
2	CLAMP (Cyl. Adaptor)	2	18070000	18070000	18070000	
3	CLAMP	1	18000760	18000760	18000760	
4	CYL. COVER ADAPTOR	1	18080000	18080000	18080000	
5	BOLT 6 x 10	4	11906010	—	—	
6	BOLT 6 x 12	8	11906012	—	—	
5 & 6	BOLT 6 x 12	12	—	11906012	11906012	

# CCW 400 All Models

1800000  
-1899999

2800000  
-2899999

3800000  
-3899999

KEY	DESCRIPTION	QTY.	PART NO.	PART NO.	PART NO.	REMARKS
1	CYLINDER COVER	1	18001010	18001010	18001010	
2	CLAMP (Cyl. Adaptor)	2	18070000	18070000	25070000	
3	CLAMP	1	18000760	18000760	18000760	
4	CYL. COVER ADAPTOR	1	18080000	18080000	18080001	
5	BOLT 6 x 10	4	11906010	—	—	
6	BOLT 6 x 12	8	11906012	—	—	
5 & 6	BOLT 6 x 12	12	—	11906012	11906012	

# CCW 440 All Models

2500000  
-2599999

3500000  
-3599999

KEY	DESCRIPTION	QTY.	PART NO.	PART NO.	PART NO.	REMARKS
1	CYLINDER COVER	1	18001010	18001050	—	18001010 FOR USE
2	CLAMP (Cyl. Adaptor)	2	25070000	35070000	—	WITH "Y" EXHAUST.
3	CLAMP	1	18000760	18000760	—	18001050 FOR USE
4	CYL. COVER ADAPTOR	1	18080000	18090000	—	WITH STRAIGHT
6	BOLT 6 x 12	12	11906012	11906012	—	EXHAUST.

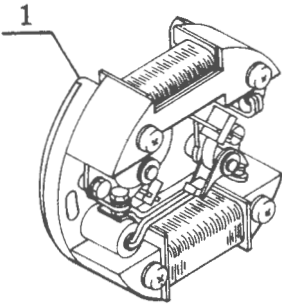
# CANADIAN CURTISS-WRIGHT LIMITED

## Two Cylinder Engines

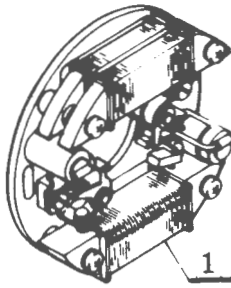
TO IDENTIFY YOUR IGNITION:

NOTE SHAPE OF  
COIL PLATE

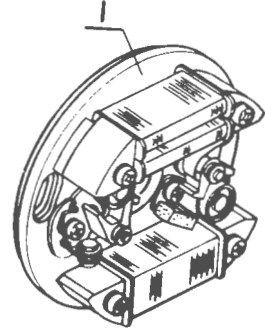
NOTE TWO  
IGNITION COILS  
NOTE ONLY  
ONE OIL  
FELT



CCW 340 S  
(SAWAFUJI)

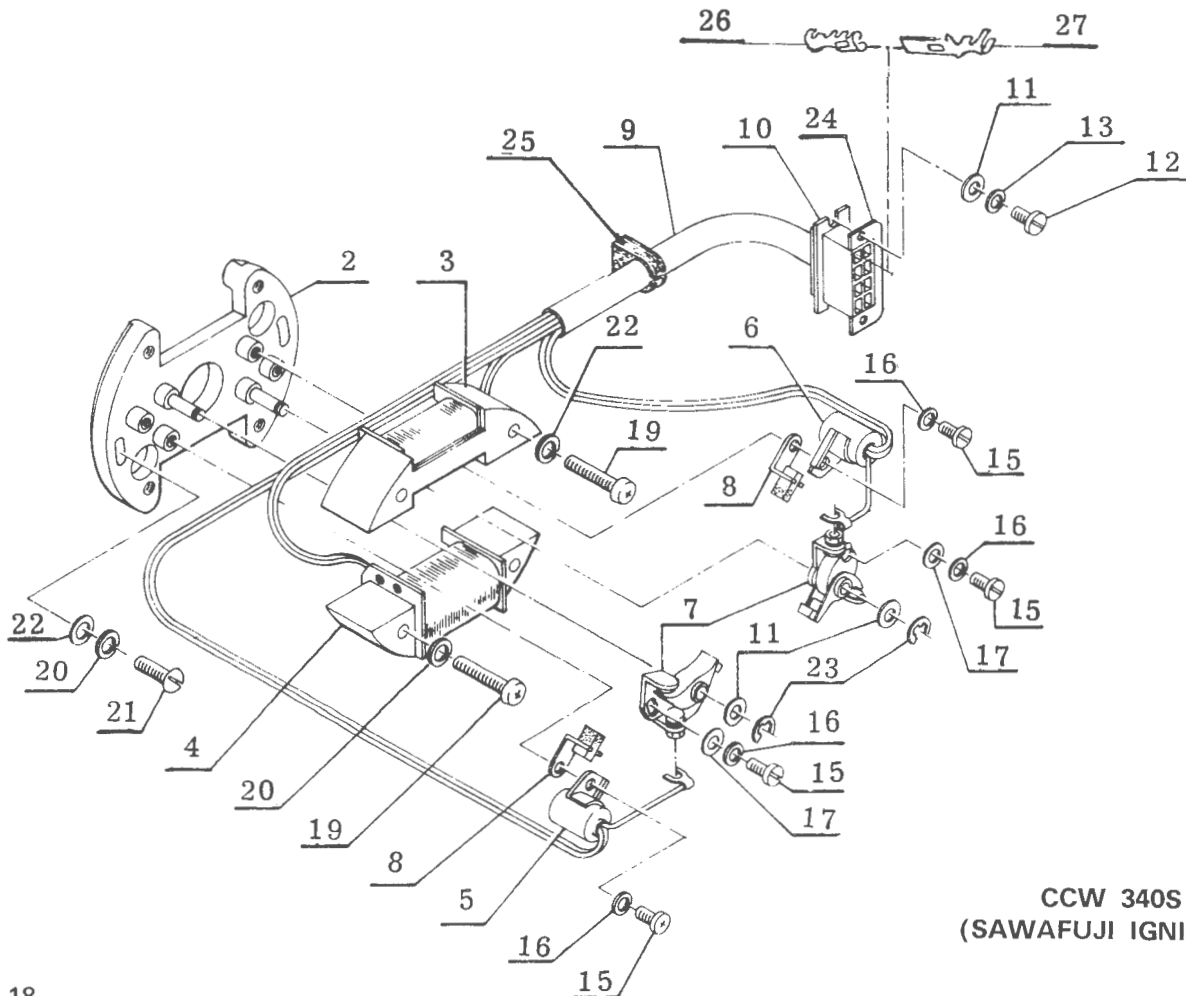


CCW 340 E & G  
CCW 400 ALL MODELS  
(KOKUSAN)



CCW 440 ALL MODELS  
(DENSO)

## COIL PLATE ASSY.



CCW 340S  
(SAWAFUJI IGNITION)

# CCW 340 Model S Only

1900000  
-1999999

2900000  
-2999999

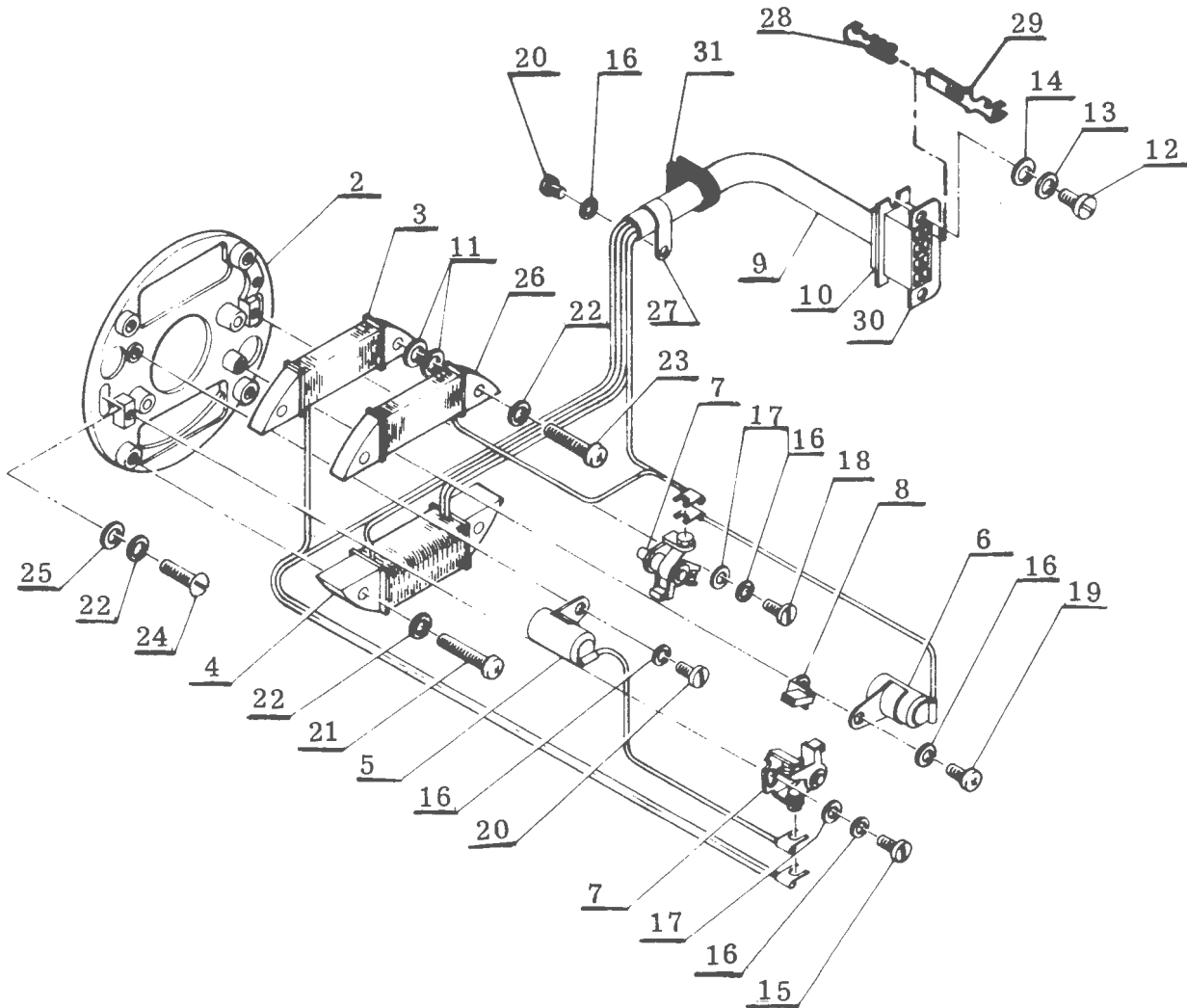
3900000  
-3999999

KEY	DESCRIPTION	QTY.	PART NO.	PART NO.	PART NO.*	REMARKS
	<b>MAGNETO ASSY. (Without Ring Gear)</b>	<b>1</b>	<b>19030000</b>	<b>19030001</b>		
	— FLYWHEEL ASSY.	1	19660000	19660000		
1	<b>(2-23) COIL PLATE ASSY.</b>	<b>1</b>	<b>19680000</b>	<b>19680001</b>		*
2	— COIL PLATE	1	19000250	19000250		THIS IGNITION SYSTEM
3	— IGNITION GEN. COIL	1	19000260	19000260		HAS BEEN DISCON-
4	— LIGHTING COIL	1	19000270	19000270		TINUED.
5	— CONDENSER (White Lead)	1	19000280	19000280		FOR SERVICING CCW
6	— Condenser (Red Lead)	1	19000480	19000480		340 S OF SER. 3900000
7	— POINT SET	2	19000300	19000300		AND LATER, SEE
8	— OIL FELT & HOLDER	1	19000310	19000310		IGNITION FOR CCW
9	— PROTECTOR	1	19000320	19000320		340 E & G.
10	— COUPLER	1	19000340	18000571		
11	— WASHER 3 Ø	4	45900003	45900003		
12	— SCREW 3 x 10	2	12903010	12903010		
13	— SPRING WASHER 3 Ø	2	47900003	47900003		
15	— SCREW 4 x 8	4	18904008	18904008		
16	— SPRING WASHER 4 Ø	4	47900004	47900004		
17	— WASHER 4 O	2	45900004	45900004		
19	— SCREW 5 x 35	4	18905035	18905035		
20	— SPRING WASHER 5 Ø	6	47900005	47900005		
21	— SCREW 5 x 22	2	12905022	12905022		
22	— WASHER 5 Ø	2	45900005	45900005		
23	— E-RING	2	48900003			
24	BRACKET (COUPLER)	1	18000770	18000771		
25	RUBBER BUSHING	1	19000550	19000550		
26	SPADE CONNECTOR (F)	7	18000810	—		
26	SPADE CONNECTOR (F)	5	—	18000811		
27	SPADE CONNECTOR (M)	7	18000820	—		
27	SPADE CONNECTOR (M)	5	—	18000821		
	WIRE HOLDER	1	—	19000510		
14 & 18	NOT USED					
	CORD HOLDER		—	19000520		

# CANADIAN CURTISS-WRIGHT LIMITED

## Two Cylinder Engines

### COIL PLATE ASSY.



CCW 340 E & G  
CCW 400 ALL MODELS  
(KOKUSAN IGNITION)

# CCW 340 Models E & G

1900000 2900000 3900000  
-1999999 -2999999 -3999999

# CCW 400 All Models

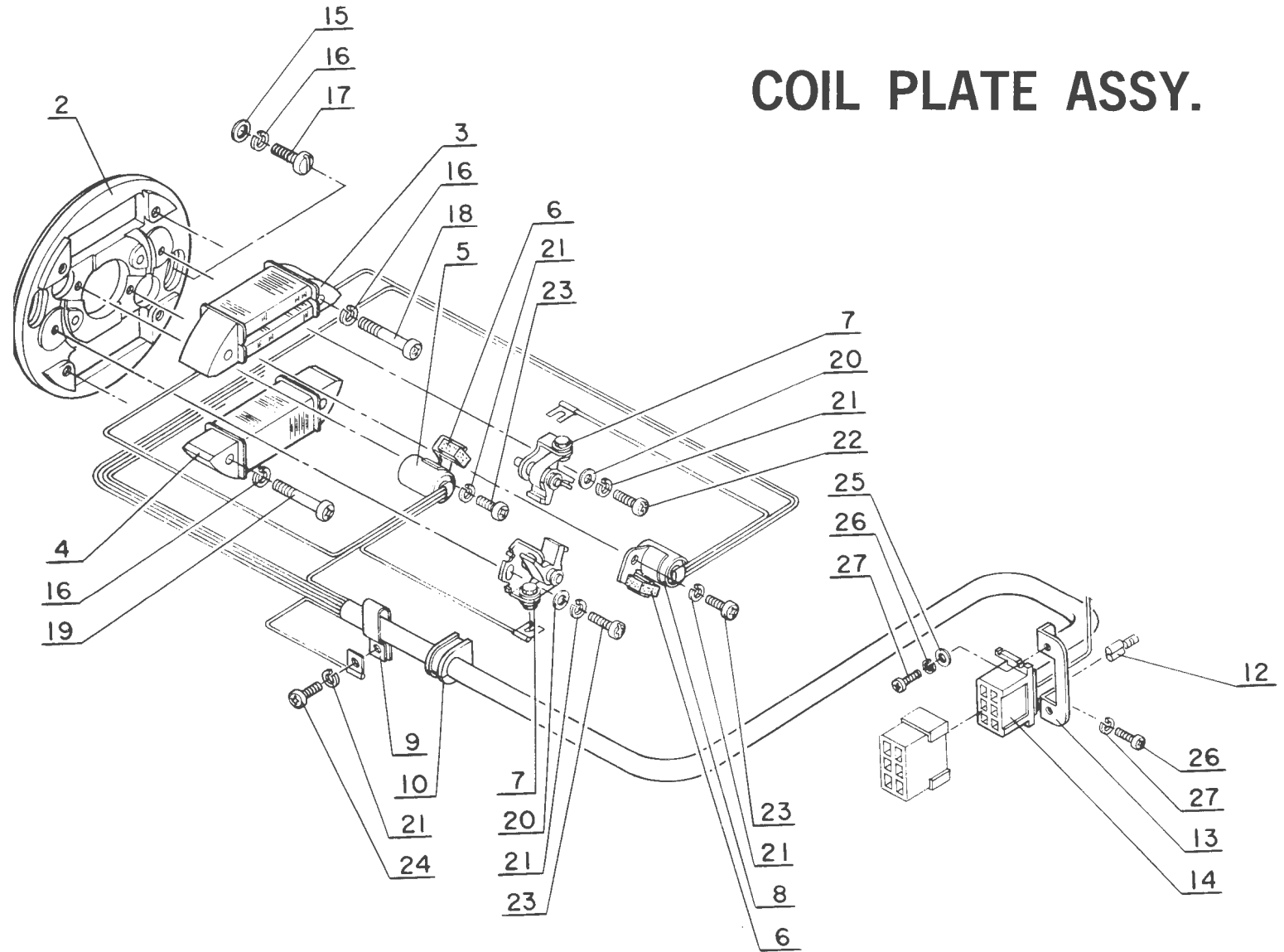
1800000 2800000 3800000  
-1899999 -2899999 -3899999

KEY	DESCRIPTION	QTY.	PART NO.	PART NO.	PART NO.	REMARKS
	MAGNETO ASSY. (Without Ring Gear)	1	18050000	18050000	18050002	
	MAGNETO ASSY (With Ring Gear)	1	18600000	18600001	18600002	
	— FLYWHEEL ASSY. (With Ring Gear)	1	18590000	18590000	18590001	
	— FLYWHEEL ASSY. (No Ring Gear)	1	18520000	18520000	18520001	
1	(2-26) COIL PLATE ASSY.	1	18510000	18510001	18510002	
2	— COIL PLATE	1	18000450	18000450	18000451	
3	— IGNITION GEN. COIL	1	18000460	18000460	18000461	
4	— LIGHTING COIL	1	18000470	18000471	18000472	
5	— CONDENSER (Red Lead)	1	18000490	18000490	18000491	
6	— CONDENSER (White Lead)	1	18000740	18000740	18000741	
7	— POINT SET	2	18000510	18000510	18000510	
8	— OIL FELT & HOLDER	1	18000520	18000520	18000520	
9	— PROTECTOR	1	18000530	18000530	18000530	
10	— COUPLER	1	18000570	18000571	18000571	
11	— WASHER	4	18000590	18000590	18000591	
12	— SCREW 3 x 10	2	12903010	12903010	12903010	
13	— SPRING WASHER 3 Ø	2	45900003	45900003	45900003	
14	— WASHER 3 Ø	2	47900003	47900003	47900003	
20	— SCREW 4 x 7	2	18904007	18904007	—	
15	— SCREW 4 x 7	1	—	—	12904007	
20	— SCREW 4 x 8	3	—	—	18904008	
16	— SPRING WASHER 4 Ø	5	47900004	47900004	—	
16	— SPRING WASHER 4 Ø	6	—	—	47900004	
17	— WASHER 4 Ø	2	45900004	45900004	45900004	
18+15	— SCREW 4 x 10	2	12904010	12904010	—	
18	— SCREW 4 x 10	1	—	—	18904010	
19	— SCREW 4 x 12	1	12904012	12904012	12904012	
21	— SCREW 5 x 25	2	18905025	18905025	18905025	
22	— SPRING WASHER 5 Ø	6	47900005	47900005	47900005	
23	— SCREW 5 x 30	2	18905030	18905030	18905030	
24	— SCREW 5 x 22	2	12905022	12905022	12905022	
25	— WASHER 5 Ø	2	45900005	45900005	45900005	
26	— IGNITION GEN. COIL	1	18000720	18000720	18000721	
27	CLAMP	1	18000480	18000480	18000480	
28	SPADE CONNECTOR (F)	5	18000810	18000811	18000811	
29	SPADE CONNECTOR (M)	5	18000820	18000821	18000821	
30	BRACKET (COUPLER)	1	18000770	18000771	18000771	
31	GROMMET	1	19000550	19000550	19000550	

# CANADIAN CURTISS-WRIGHT LIMITED

## Two Cylinder Engines

### COIL PLATE ASSY.



CCW 440 ALL MODELS  
(DENSO IGNITION)

# CCW 440 All Models

2500000  
-2599999

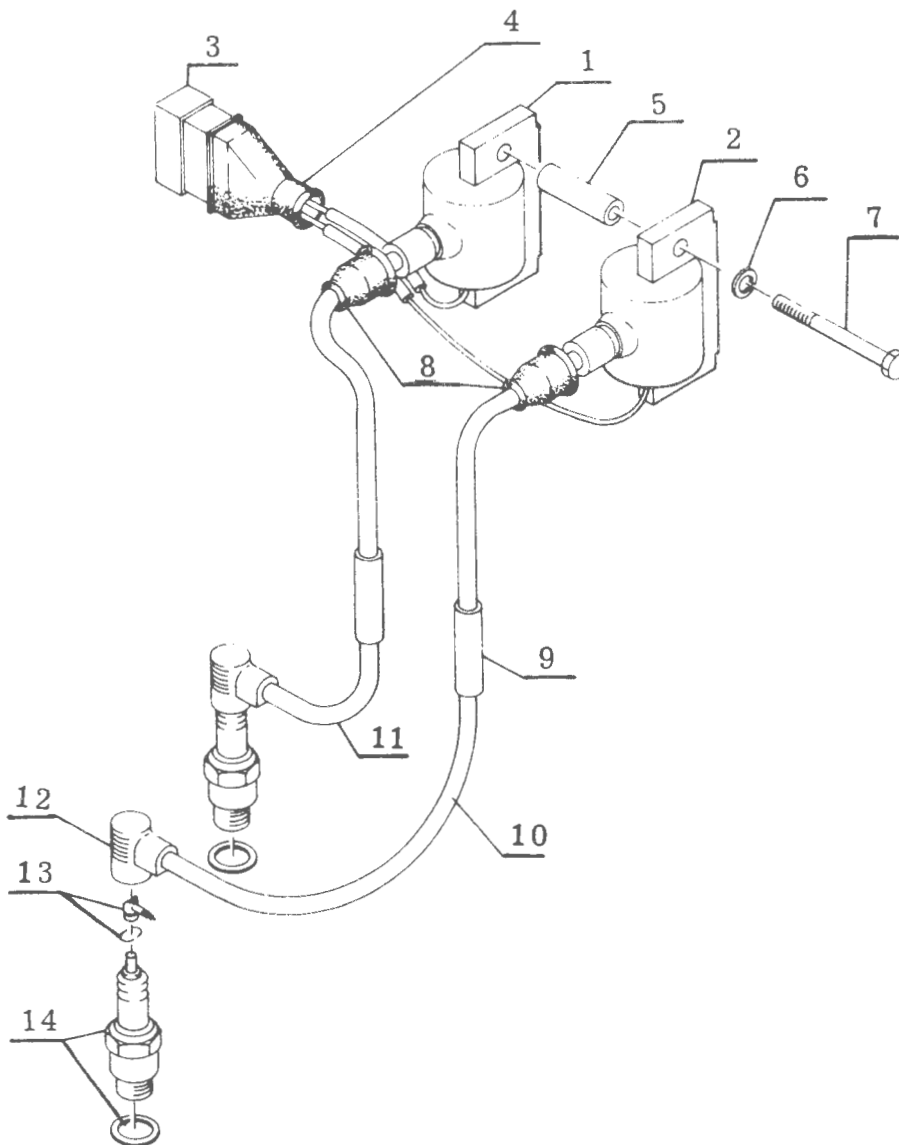
3500000  
-3599999

KEY	DESCRIPTION	QTY.	PART NO.	PART NO.	PART NO.	REMARKS
	MAGNETO ASSY (With Ring Gear)	1	25600000	25600000		
	MAGNETO ASSY. (Without Ring Gear)	1	25050000	25050000		
	— FLYWHEEL ASSY. (With Ring Gear)	1	25590000	25590000		
	— FLYWHEEL ASSY. (No Ring Gear)	1	25520000	25520000		
1	COIL PLATE ASSY.	1	25510000	25510000		
2	— COIL PLATE	1	25000400	25000400		
3	— IGN. GEN. COIL	1	25000410	25000410		
4	— LIGHTING COIL	1	25000420	25000420		
5	— CONDENSER (Red Lead)	1	25000430	25000430		
6	— OIL FELT & HOLDER	2	25000440	25000440		
7	— POINT SET	2	25000450	25000450		
8	— CONDENSER (White Lead)	1	25000460	25000460		
14	— COUPLER	1	18000571	18000571		
15	— WASHER 5 Ø	2	45900005	45900005		
16	— SPRING WASHER 5 Ø	6	47900005	47900005		
17	— SCREW 5 x 18	2	12905018	12905018		
18	— SCREW 5 x 32	2	18905032	18905032		
19	— SCREW 5 x 30	2	18905030	18905030		
20	— WASHER 4 O	2	45900004	45900004		
21	— SPRING WASHER 4 Ø	5	47900004	47900004		
22	— SCREW 4 x 10	2	18904010	18904010		
23	— SCREW 4 x 8	2	18904008	18904008		
24	— SCREW 4 x 7	1	18904007	18904007		
25	— WASHER 3 O	2	45900003	45900003		
26	— SPRING WASHER 3 Ø	4	47900003	47900003		
27	— SCREW 3 x 10	4	18903010	18903010		
9	CLAMP	1	25000470	25000470		
10	GROMMET	1	19000550	19000550		
12	SPADE CONNECTOR (F)	5	18000811	18000811		
	SPADE CONNECTOR (M)	5	18000821	18000821		
13	BRACKET	1	18000771	18000771		

# CANADIAN CURTISS-WRIGHT LIMITED

## Two Cylinder Engines

### IGNITION CABLES & HIGH TENSION COILS



# CCW 340 Model S Only

1900000  
-1999999

2900000  
-2999999

3900000  
-3999999

KEY	DESCRIPTION	QTY.	PART NO.	PART NO.	PART NO.	REMARKS
1	IGNIT. COIL (Cyl. Near Fan)	1	19000500	19000500		THIS IGNITION SYSTEM HAS BEEN DISCONTINUED. FOR SERVICING CCW 340S OR SERIES 3900000 OR LATER SEE IGNITION FOR CCW 340 E & G.
2	IGNIT. COIL (Cyl. Near P.T.O.)	1	19000540	19000540		
3	COUPLER	1	19000350	18000581		
4	RUBBER BUSHING	1	19000350	—		
5	SPACER (Coil)	2	18001090	18001090		
6	SPRING WASHER 6 Ø	2	11900006	11900006		
7	BOLT 6 x 65	2	47906065	18001350		
8	RUBBER BUSHING	2	19000330	19000330		
9	PROTECTOR	2	18000750	18000750		
10	H.T. IGNIT. WIRE (Cyl. Near P.T.O.)	1	18000670	18000670		
11	H.T. IGNIT. WIRE (Cyl. Near Fan)	1	18000660	18000660		
12	SPARK PLUG CONNECTOR	2	11000431	19000560		
13	SPARK PLUG CONNECTOR TERMINAL	2	11000422	11000422		
14	SPARK PLUG (NGK B8H)	2	43078520	43078520		
	SPARK PLUG BOOT	2	18000790	18000790		

# CCW 340 Models E & G

1900000  
-1999999

2900000  
-2999999

3900000  
-3999999

# CCW 400 All Models

1800000  
-1899999

2800000  
-2899999

3800000  
-3899999

KEY	DESCRIPTION	QTY.	PART NO.	PART NO.	PART NO.	REMARKS
1	IGNIT. COIL (Cyl. Near Fan)	1	18000650	18000650	18000650	
2	IGNIT. COIL (Cyl. Near P.T.O.)	1	18000800	18000800	18000800	
3	COUPLER	1	18000580	18000581	18000581	
4	RUBBER BUSHING	1	19000360	19000360	—	
5	SPACER (Coil)	2	18001090	18001090	18001090	
6	SPRING WASHER 6 Ø	2	47900006	47900006	47900006	
7	BOLT 6 x 65	2	11906065	18001350	18001350	
8	RUBBER BUSHING	2	18000540	18000540	18000540	
9	PROTECTOR	2	18000750	18000750	18000750	
10	H.T. IGNIT. WIRE (Cyl. Near P.T.O.)	1	18000670	18000670	18000670	
11	H.T. IGNIT. WIRE (Cyl. Near Fan)	1	18000660	18000660	18000660	
12	SPARK PLUG CONNECTOR	2	11000431	19000560	11000431	
13	SPARK PLUG CONNECTOR TERMINAL	2	11000422	11000422	11000423	
14	SPARK PLUG (NGK B8H)	2	43078520	43078520	38000780	
	SPARK PLUG BOOT	2	18000790	18000790		

# CCW 440 All Models

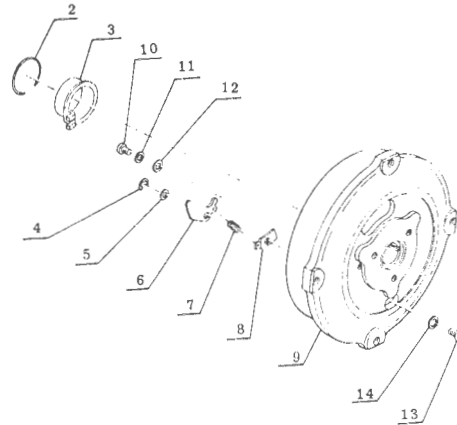
2500000  
-2599999

3500000  
-3599999

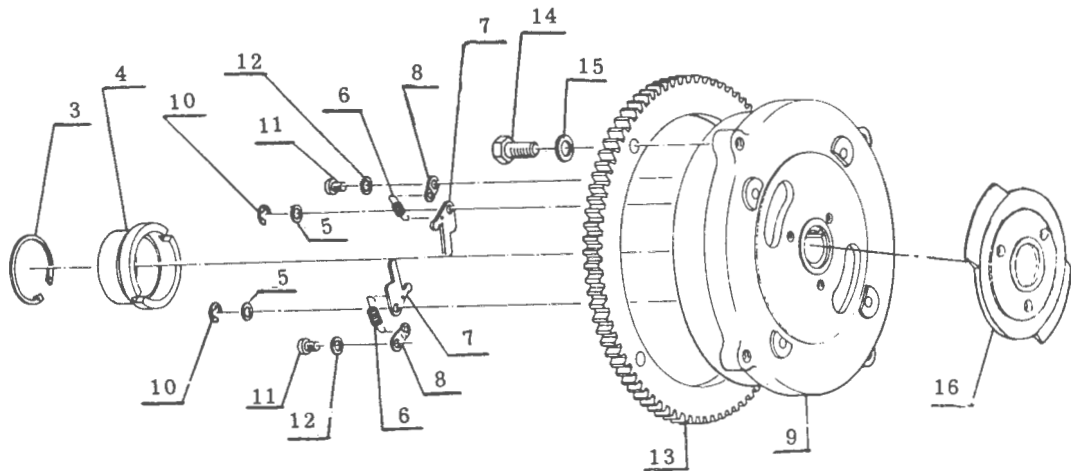
KEY	DESCRIPTION	QTY.	PART NO.	PART NO.	REMARKS
1	IGNIT. COIL (Cyl. Near Fan)	1	25000520	25000520	
2	IGNIT. COIL (Cyl. Near P.T.O.)	1	25000530	25000530	
3	COUPLER	1	18000581	18000581	
5	SPACER (Coil)	2	18001090	18001090	
6	SPRING WASHER 6 Ø	2	47900006	47900006	
7	BOLT 6 x 65	2	18001350	18001350	
8	RUBBER BUSHING	2	25000510	25000510	
9	PROTECTOR	2	18000750	18000750	
10	H.T. IGNIT. WIRE (Cyl. Near P.T.O.)	1	25000490	25000490	
11	H.T. IGNIT. WIRE (Cyl. Near Fan)	1	25000500	25000500	
12	SPARK PLUG CONNECTOR	2	11000431	11000431	
13	SPARK PLUG CONNECTOR TERMINAL	2	11000422	11000422	
14	SPARK PLUG (NGK B8H)	2	18000780	38000780	
	SPARK PLUG BOOT	2	18000790	18000790	

# CANADIAN CURTISS-WRIGHT LIMITED

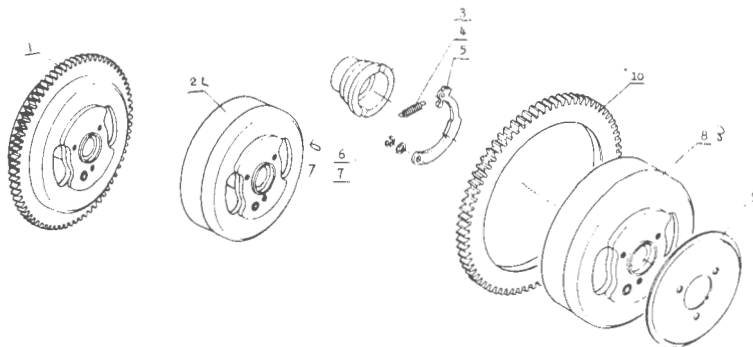
## Two Cylinder Engines



**340S**  
**(SAWAFUGI IGNITION — FLYWHEEL ASSEMBLY)**



**CCW 340 E & G**  
**CCW 400 ALL MODELS**  
**(KOKUSAN IGNITION — FLYWHEEL ASSEMBLY)**



**CCW 440 ALL MODELS**  
**(DENSO IGNITION — FLYWHEEL ASSEMBLY)**

# CCW 340 Model S Only

1900000  
-1999999

2900000  
-2999999

3900000  
-3999999

(For Models E & G see  
Ignition Assy's. for CCW 400)

KEY	DESCRIPTION	QTY.	PART NO.	PART NO.	PART NO.	REMARKS
1	(2-14) FLYWHEEL ASSY.	1	19660000	19660000		THIS IGNITION SYSTEM HAS BEEN DISCONTINUED. FOR SERVICING CCW 340 S OF SER. 3900000 AND LATER SEE IGNITION FOR CCW 340 E & G. NOT PROCURABLE
2	— CAM STOP	1	19000390	19000390		
3	— CAM	1	19000400	19000400		
4	— SNAP RING	1	19000410	19000410		
5	— WASHER	1	19000420	19000420		
6	— GOVERNOR WEIGHT	1	19000430	19000430		
7	— GOVERNOR SPRING	1	19000440	19000440		
8	— LUG PLATE	1	19000450	19000450		
9	— FLYWHEEL	1	NP	NP		
10	— SCREW 4 x 8	1	18904008	18904008		
11	— SPRING WASHER 4 Ø	1	47900004	47900004		
12	— WASHER 4 Ø	1	45900004	45900004		
13	— SCREW 5 x 8	1	18905008	18905008		
14	— SPRING WASHER 5 Ø	1	47900005	47900005		

# CCW 340 Models E & G

1900000  
-1999999

2900000  
-2999999

3900000  
-3999999

# CCW 400 All Models

1800000  
-1899999

2800000  
-2899999

3800000  
-3899999

KEY	DESCRIPTION	QTY.	PART NO.	PART NO.	PART NO.	REMARKS
1	FLYWHEEL ASSY. (With Ring)	1	18590000	18590000	18590001	NOT PROCURABLE
2	FLYWHEEL ASSY. (Without)	1	18520000	18520000	18520001	
3	— SNAP RING	1	18000600	18000600	18000600	
4	— CAM	1	18000610	18000610	18000611	
5	— WASHER	2	18000710	18000710	18000710	
6	— GOVERNOR SPRING	2	18000620	18000620	18000621	
7	— GOVERNOR WEIGHT	2	18000680	18000680	18000681	
8	— LUG PLATE	2	18000690	18000690	—	
9	— FLYWHEEL	1	NP	NP	NP	
10	— E-RING	2	48900003	48900003	48900003	
11	— SCREW 4 x 5	2	18904005	18904005	—	
12	— SPRING WASHER 4 Ø	2	47900004	47900004	—	
13	— RING GEAR	1	18000630	18000630	18000631	
14	— BOLT	4	18000640	18000640	—	
15	— SPRING WASHER 8 Ø	4	47900008	47900008	—	
16	WINDOW PLATE	1	18000730	18000730	18000731	

# CCW 440 All Models

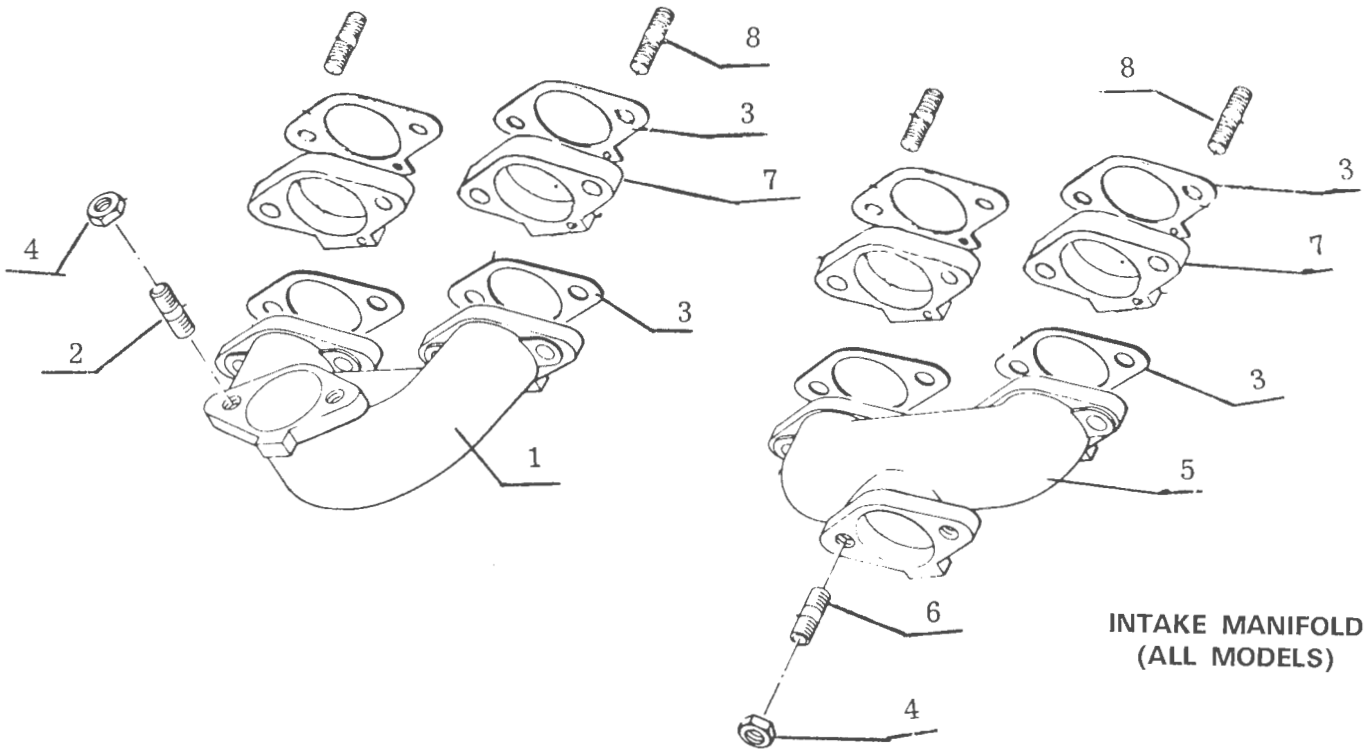
2500000  
-2599999

3500000  
-3599999

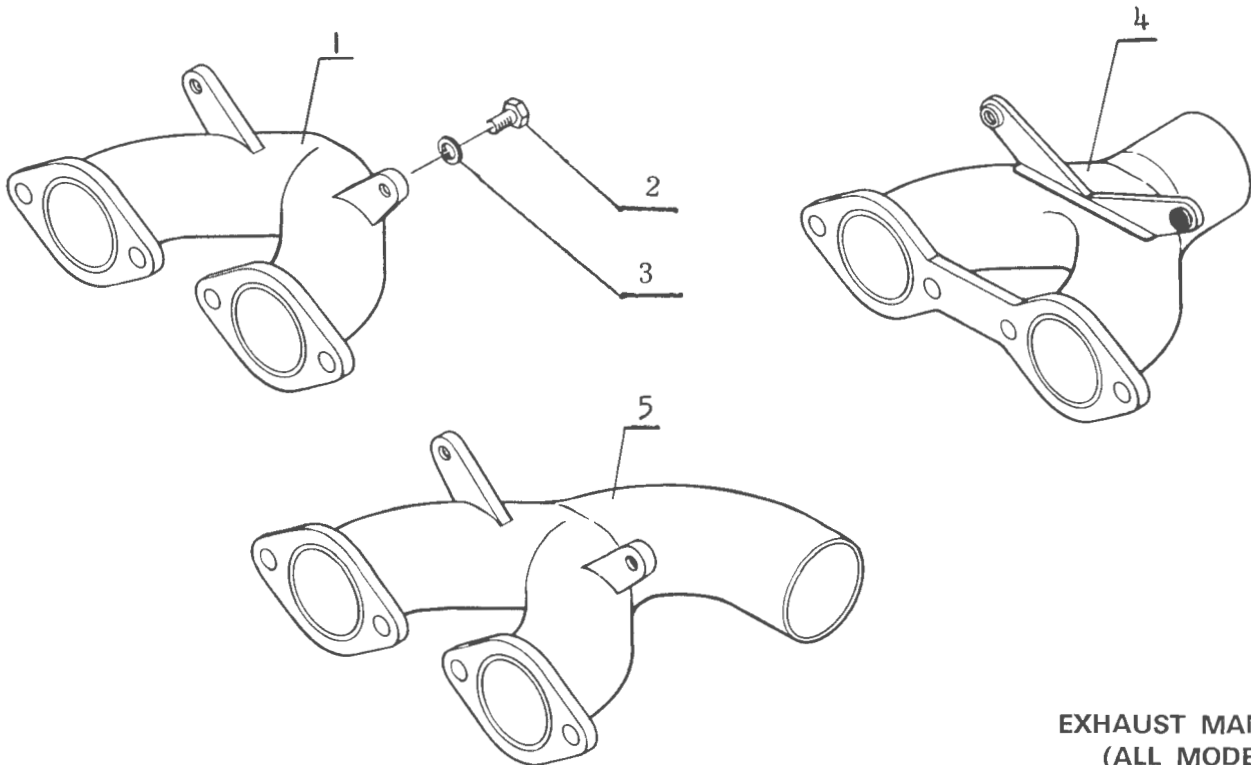
KEY	DESCRIPTION	QTY.	PART NO.	PART NO.	PART NO.	REMARKS
1	FLYWHEEL ASSY (With Ring)	1	25590000	25590000		NOT PROCURABLE
2	FLYWHEEL ASSY. (Without)	1	25520000	25520000		
3	— CAM	1	25000540	25000540		
4	— GOVERNOR SPRING	1	25000550	25000550		
5	— GOVERNOR WEIGHT	1	25000560	25000560		
6	— E-RING	1	25000570	25000570		
7	— WASHER	1	25000580	25000580		
8	— FLYWHEEL	1	NP	NP		
9	— WINDOW PLATE	1	25000600	25000600		
10	— RING GEAR	1	30000600	30000600		

# CANADIAN CURTISS-WRIGHT LIMITED

## Two Cylinder Engines



INTAKE MANIFOLD  
(ALL MODELS)



EXHAUST MANIFOLD  
(ALL MODELS)

**CCW 340 All Models**1900000  
-19999992900000  
-29999993900000  
-3999999**CCW 400 All Models**1800000  
-18999992800000  
-28999993800000  
-3899999

KEY	DESCRIPTION	QTY.	PART NO.	PART NO.	PART NO.	REMARKS
1-2	INTAKE MAN. (Vert.)	1	18000400	18000400	18000400	
2	— STUD BOLT	2	10001111	10001111	18000330	
3	GASKET	4	18000410	18000410	18000410	
4	NUT 8 Ø	6	39900008	39900008	39900008	
5-2	INTAKE MAN. (Horiz.)	1	18000390	18000390	18000390	
7	INSULATOR	2	18000420	18000420		
8	STUD BOLT	4	12000380	12000380	12000380	
7	INSULATOR	1	—	—	18000420	
	INTAKE PIPE (Straight)	2	18000310	18000310	18000310	

**CCW 440 All Models**2500000  
-25999993500000  
-3599999

KEY	DESCRIPTION	QTY.	PART NO.	PART NO.	PART NO.	REMARKS
1-2	INTAKE MAN. (Vert.)	1	25000250	—		
2	— STUD BOLT	2	25000180	25000180		
3	GASKET	1	25000270	25000270		
4	NUT 3 N 10	2	40900010	39900010		
5-2	INTAKE MAN. (Horiz.)	1	25000240	35000240		
7	INSULATOR	1	25000260	25000260		

**CCW 340 All Models**1900000  
-19999992900000  
-29999993900000  
-3999999

KEY	DESCRIPTION	QTY.	PART NO.	PART NO.	PART NO.	REMARKS
1-3	EXHAUST MANI. ASSY.	1	19000230	19000230	18000430	
2	— BOLT 6 x 12	2	11906010	11906010	11906010	
3	— SPRING WASHERS 6 Ø	2	47900006	47900006	47900006	
	EXHAUST PIPE	2	18000380	18000380	18000380	

**CCW 400 All Models**1800000  
-18999992800000  
-28999993800000  
-3899999

KEY	DESCRIPTION	QTY.	PART NO.	PART NO.	PART NO.	REMARKS
1-3	EXHAUST MANI. ASSY.	1	18000430	18000430	18000430	
2	— BOLT 6 x 12	2	11906010	11906010	11906010	
3	— SPRING WASHERS 6 Ø	2	47900006	47900006	47900006	
	EXHAUST PIPE	2	18000380	18000380	18000380	

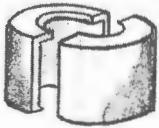
**CCW 440 All Models**2500000  
-25999993500000  
-3599999

KEY	DESCRIPTION	QTY.	PART NO.	PART NO.	PART NO.	REMARKS
1	EXHAUST MANIFOLD (A)	1	18000440	35000430		
4	EXHAUST MANIFOLD (B)	1	18000430	—		
5	EXHAUST MANIFOLD (T)	1	18000800	—		
2	— BOLT 6 x 12	2	11906010	11906010		
3	SPRING WASHER 6 Ø	2	47900006	47900006		

# CANADIAN CURTISS-WRIGHT LIMITED

## Two Cylinder Engines

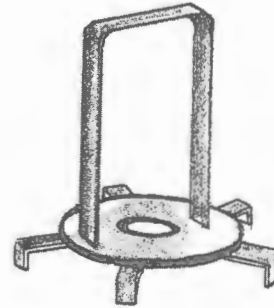
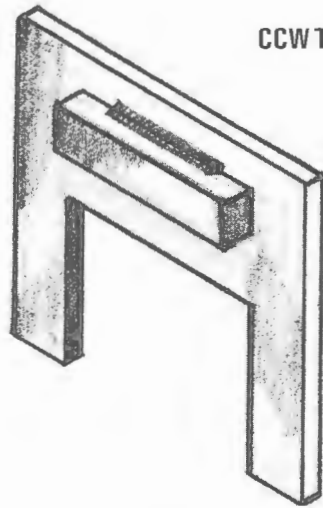
### CCW TOOL LIST



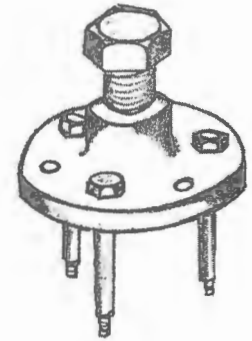
43-0798-40  
FLYWHEEL LOCK



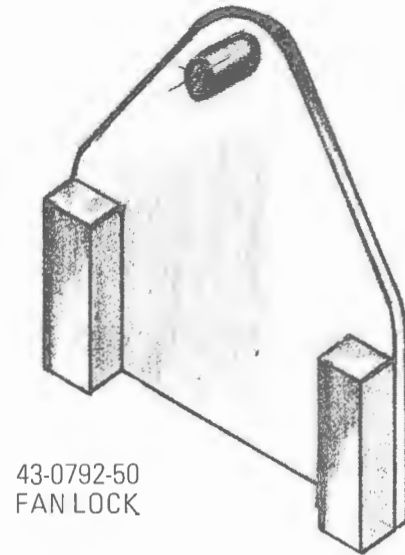
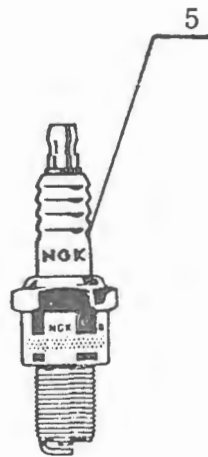
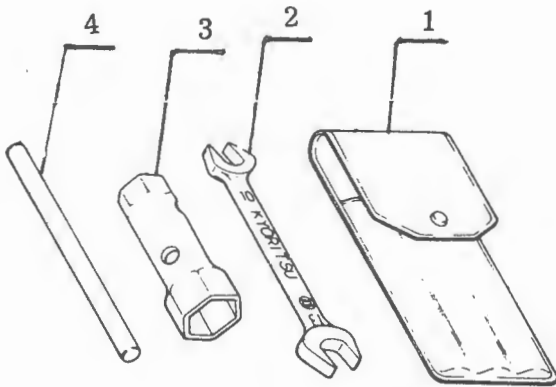
43-0791-70  
BEARING PULLER



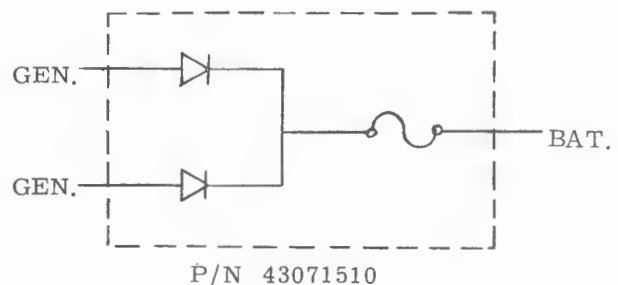
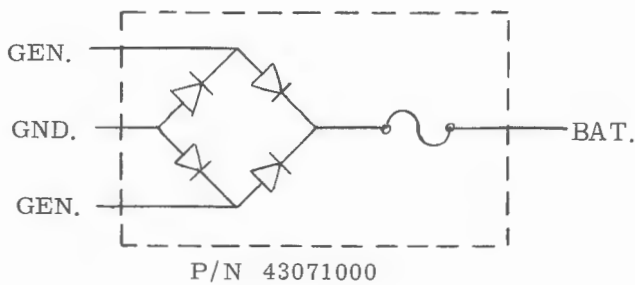
43-0797-60  
REWIND SPRING TOOL



43-0790-90  
FLYWHEEL PULLER



43-0792-50  
FAN LOCK



# CCW 340 All Models

# CCW 400 All Models

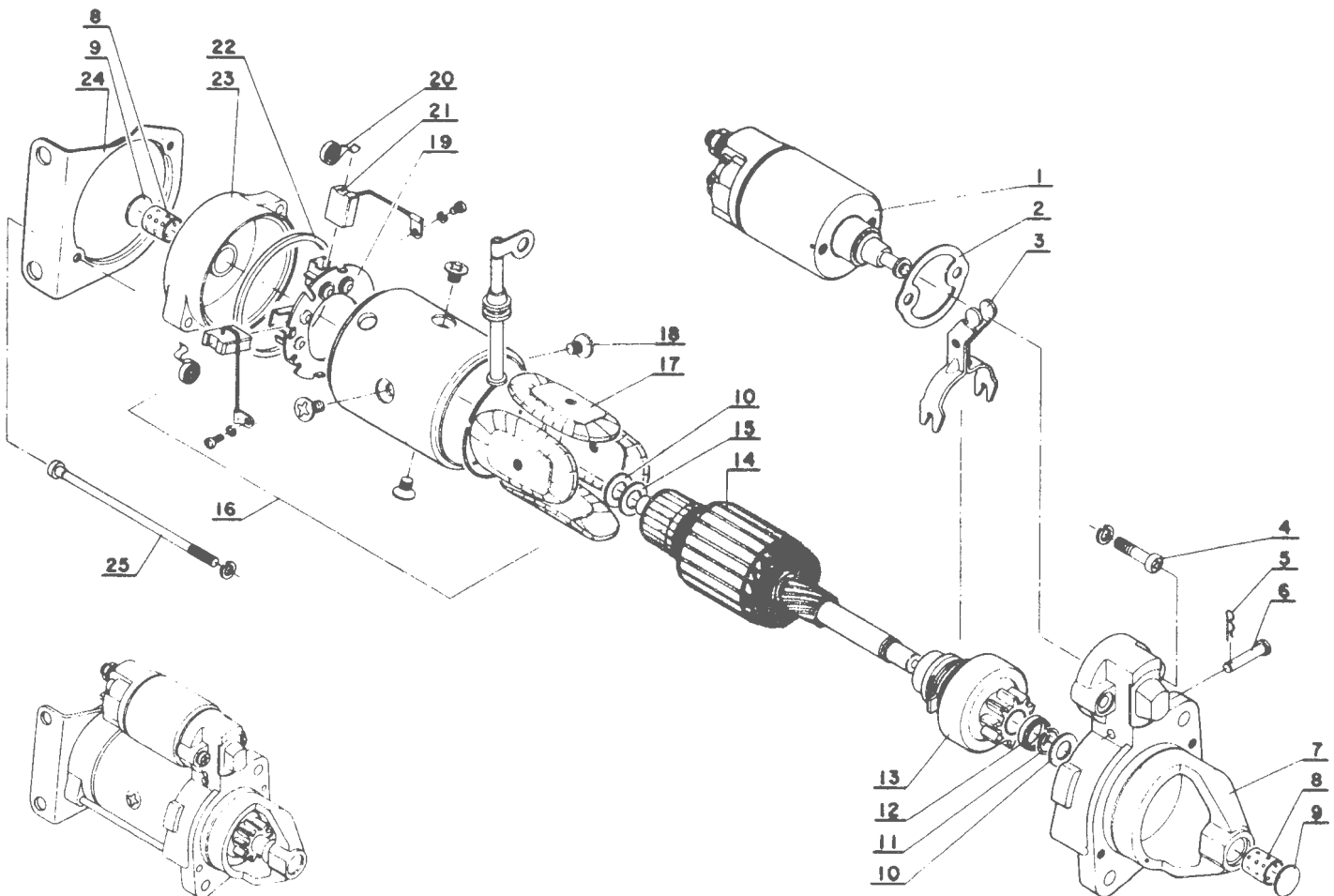
# CCW 440 All Models

KEY	DESCRIPTION	QTY.	PART NO.	PART NO.	PART NO.	REMARKS
1-4	TOOL KIT	1	18610000			
1	— BAG	1				
2	— SPANNER 10 x 13 mm	1				
3	— TUBE SPANNER 13 x 21 mm	1				
4	— HANDLE ROD	1				
5	— SPARK PLUG (NGK B8H)	2	43078520			
6	BEARING PULLER	1	43079170			
7	SPRING REWIND TOOL	1	43079760			
8	FLYWHEEL PULLER	1	43079090			
9	FLYWHEEL LOCK	1	43079840			
10	FAN LOCK	1	43079250			
11	RECTIFIER	1	43071000			FOR END TAP COILS.
12	RECTIFIER	1	43071510			FOR CENTRE TAP COILS.
	RESISTOR 7	1	43071940			

# CANADIAN CURTISS-WRIGHT LIMITED

## Two Cylinder Engines

### ELECTRIC STARTER MOTOR



# CCW 340 All Models

# CCW 400 All Models

# CCW 440 All Models

KEY	DESCRIPTION	QTY.	PART NO.	PART NO.	PART NO.	REMARKS
1-25	STARTER ASSY.	1	18001100			
1	— SOLENOID SW. COMPLETE	1	18001600			
2	— PACKING	1	18001610			
3	— PINION DRIVE LEVER	1	18001620			
4	— SOLENOID SW. SET SCREW	2	18001630			
5	— SNAP PIN	1	18001640			
6	— DRIVE LEVER SET PIN	1	18001650			
7	— DRIVE SIDE END FRAME	1	18750000			
8	— BEARING BUSHING	2	18001670			
9	— BEARING COVER	2	18001680			
10	— WASHER #1	2	18001690			
11	— SNAP RING	1	18001700			
12	— CLUTCH STOP COLLAR	1	18001710			
13	— OVER-RUNNING CLUTCH	1	18001720			
14	— ARMATURE, COMPLETE	1	18001730			
15	— WASHER #2	2	18001740			
16	— YOKE, COMPLETE	1	18760000			
17	— FIELD COILS	1	18001750			
18	— POLE CORE SCREW	4	18001760			
19	— BRUSH HOLDER PLATE	1	18770000			
20	— BRUSH SPRING	2	18001780			
21	— BRUSH	2	18001790			
22	— "O" RING	1	18001800			
23	— COMM. SIDE END FRAME	1	18780000			
24	— HOLDING PLATE	1	18001820			
25	— THROUGH BOLT	2	18001830			

0

0

0