

ILLUSTRATED PARTS CATALOGUE

FOR

**CCW TWO CYLINDER, TWO STROKE,
AIR COOLED ENGINES**

(REVISED MAY 1972)

MODELS CCW 340 CCW 400 CCW 440

SERIAL NUMBER	19	18	25
COMMENCING	29	28	35
	39	38	45
	49	48	55



CANADIAN CURTISS-WRIGHT, LIMITED

6503 NORTHAM DRIVE, MISSISSAUGA, ONTARIO

EXPLANATION OF SERIAL NO. REFERENCE

All engines in this Parts Book are referenced by Model Number and Serial Number. This is done to facilitate location of the correct Part Numbers since the year of manufacture is not always known and modifications are not performed annually. Serial Numbers are seven digits in length and the number plate is located on the fan cover of the engine.

WHEN ORDERING PARTS:

When ordering parts please call up the appropriate Part Number, the name of the item and the quantity desired. Also, please specify engine Model Number and Serial Number.

NOTE: Failure to quote the Serial Number may result in delay and supply of incorrect parts.

SPECIAL TOOLING FOR CCW ENGINES:

This Part's List contains a selection of non-standard tools for CCW engines. These are available and may be ordered by the Part Numbers provided on Page 34 and 35. The uses of these tools are fully described in the current service manuals on CCW engines.

Important: Where mentioned, the following suffixes mean

- S** – Manual Start
- G** – Ring Gear Equipped
- E** – Electric Start

NUMERICAL INDEX Cont.

Part No.	Key	Page	Part No.	Key	Page	Part No.	Key	Page
12905018	17	25	18000471	4	23	18000821	-	21
12905022	21	21	18000472	4	23		-	23
	24	23	18000473	4	23		-	25
12905045	4	15	18000480	27	23	18000870	13	12
			18000490	5	23		13	13
13000330	9	9	18000491	5	23	18000871	13	12
	-	11	18000510	14	27		13	13
13000340	8	9		7	23	18000880	1	17
13001090	7	9	18000511	7	23	18000890	9	12
			18000520	8	23		9	13
14000670	6	9	18000530	9	23	18000900	10	12
			18000540	8	27		10	13
18000070	3	7	18000570	10	23	18000910	10	12
18000080	3	7	18000571	10	21		10	13
	4	7		10	23	18000950	7	12
	16	7		14	25		7	13
18000090	10	7	18000580	3	27	18000960	8	12
18000140	5	9	18000581	3	27		8	13
18000150	2	12	18000590	11	23	18000970	11	12
	3	13	18000591	11	23		11	13
18000151	2	12	18000600	9	12		11	14
	3	13		3	29	18000990	26	12
18000160	3	12	18000610	4	29		26	13
18000160	3	13	18000611	4	29	18001000	1	15
	3	14	18000612	4	29	18001001	1	15
18000170	6	9	18000620	6	29	18001010	1	19
18000180	8	9	18000621	6	29	18001080	14	12
18000190	7	9	18000622	6	29		14	13
18000200	5	7	18000630	13	29	18001081	14	12
18000210	6	7	18000631	13	29		14	13
18000221	7	7	18000640	14	29	18001083	14	12
18000230	8	7	18000650	1	27		14	13
18000240	9	7	18000660	11	27		14	14
18000260	14	11	18000670	10	27	18001090	5	27
18000261	14	11	18000680	7	29	18001100	1-25	37
18000300	3	32	18000681	7	29	18001101	1-25	33
	4	32	18000682	7	29	18001110	18	12
18000320	14	11	18000690	8	29		18	13
18000330	7	11	18000710	5	29	18001120	20	13
18000331	7	11	18000720	26	23	18001121	20	12
18000340	6	11	18000721	26	23		20	13
18000341	6	11	18000722	26	23		20	14
18000350	9	11	18000730	16	29		6	34
18000370	15	11	18000731	16	29	18001200	12	17
18000380	5	31	18000740	6	23	18001290	13	9
18000390	2	32	18000741	6	23	18001300	10	9
	2	33	18000750	9	27	18001310	15	12
18000400	1	32	18000760	3	19		15	13
	1	33	18000770	24	21		15	14
18000410	16	11		30	23	18001320	12	9
	5	32	18000771	24	21	18001330	25	12
	10	32		30	23		25	13
	5	33		13	25		25	14
18000411	16	11	18000772	30	23		-	37
	5	32		13	25	18001350	7	27
	5	33	18000800	2	27	18001600	1	37
18000420	6	33	18000810	32	21	18001610	2	37
18000430	1	31		33	23	18001620	3	37
18000450	2	23	18000811	32	21	18001630	4	37
18000451	2	23		33	23	18001640	5	37
18000452	2	23		12	25	18001650	6	37
18000460	3	23	18000820	-	21	18001670	8	37
18000461	3	23		-	23			
18000470	4	23						

NUMERICAL INDEX Cont.

Part No.	Key	Page	Part No.	Key	Page	Part No.	Key	Page
18001690	10	37	18600001	—	23	19000430	6	28
18001700	11	37	18600002	—	23	19000440	7	28
18001710	12	37	18600003	—	23	19000450	8	28
18001720	13	37	18610000	1	35	19000480	6	21
18001730	14	37	18620000	4	12	19000500	1	27
18001740	15	37		4	13	19000540	2	27
18001750	17	37	18620001	4	12	19000550	23	21
18001760	18	37		4	13		31	23
18001780	9	37	18640000	5-9	7		10	25
	20	37	18750000	7	37	19000610	10	12
18001790	21	37	18760000	16	37	19000620	10	12
18001800	22	37	18770000	19	37	19030000	—	21
18001820	24	37	18780000	23	37	19030001	—	21
18001830	25	37	18800000	1-2	9	19050000	31	21
18001900	23	13	18800001	1-2	9	19060000	30	21
18050000	—	23	18903006	27	37	19540000	8-9	7
18050001	—	23	18903010	27	25	19550000	—	11
18050002	—	23		29	25	19550100	—	11
18050003	—	23	18904005	11	29	19560000	1-3,8	11
18060000	1	12	18904007	19	23	19560001	1-3,8	11
	1	13		20	23	19580000	2-4,8	11
18060001	1	12		24	25	19580001	2-4,8	11
	1	13	18904008	15	21	19640000	5-9	7
18060003	1	12		28	21	19660000	—	21
	1	13		20	23		1	28
18060006	1	12		23	25	19680000	1	21
	1	13	18904010	19	23	19680001	1	21
18070000	2	19		22	25	25000100	5	7
18080000	4	19	18905008	13	28	25000110	6	7
18100000	2-16	17	18905016	17	25	25000180	3	32
18100001	2-16	17	18905025	21	23	25000190	13	11
18100002	2-16	17	18905030	23	23	25000200	7	11
18110000	10	17		19	25	25000210	6	11
18110001	10	17	18905032	21	23	25000240	2	32
18120000	28	33		18	25	25000260	6	32
18130000	29	33	18905035	19	21	25000270	10	32
18500000	1-4	7	19000100	5	7	25000271	10	32
18510000	1	23	19000110	8	7	25000280	8	32
18510001	1	23	19000120	9	7	25000400	2	25
18510002	1	23	19000190	13	11	25000410	3	25
18510003	1	23	19000200	7	11	25000420	4	25
18520000	—	23	19000201	7	11	25000430	5	25
	2	29	19000210	6	11	25000440	6	25
18520001	—	23	19000211	6	11	25000450	7	25
	2	29	19000230	1	31	25000460	8	25
18520002	—	23	19000250	2	21	25000470	9	25
	2	29	19000260	3	21	25000490	10	27
18540000	8-9	7	19000270	4	21	25000500	11	27
18550000	—	11	19000280	5	21	25000510	8	27
18550001	—	11	19000300	7	21	25000520	1	27
18550100	—	11	19000310	8	21	25000530	2	27
18560000	1-3,8	11		23	21	25000540	3	30
18560001	1-3,8	11	19000320	9	21	25000541	3	30
18580000	2-4,8	11	19000330	8	27	25000550	4	30
18580001	2-4,8	11	19000340	10	21	25000560	5	30
18590000	—	23	19000350	3	27	25000570	6	30
	1	29	19000360	4	27	25000580	7	30
18590001	—	23	19000390	2	28	25000600	9	30
	1	29	19000400	3	28	25000610	10	30
18590002	—	23	19000410	4	28	25001030	8	13
	1	29	19000420	5	28	25050000	—	25
18600000	—	23						

NUMERICAL INDEX Cont.

Part No.	Key	Page	Part No.	Key	Page	Part No.	Key	Page
47900005	16	25	48000330	7	11			
	14	28	48000340	6	11	50900047	6	13
	26	37	48000450	(5)	29		6	14
47900006	19	12	48000460	8	29	52900025	12	13
	19	13	48001570	7	9	52900026	12	12
	3	15						
	18	17	48540000	8-9	7	55000201	7	11
	7	19	48560000	1-3,8	11	55000211	6	11
	28	25	48580000	2-4,8	11	55000610	10	28
	6	27				55001000	2	13
	3	31	49000100	5	7		2	14
47900008	15	9	49000110	8	7	55001111	1	19
	11	11	49000200	7	11	55080000	4	19
	16	12	49000210	6	11	55200000	10	19
	16	13	49000630	13	29	55590000	—	25
	16	14	49500000	1	7		1	30
	15	29		1-4	7	55600000	—	25
	—	37	49540000	8-9	7			
47900012	21	12	49560001	2-4,8	11	56900008	17	11
	21	13	49580001	1-3,8	11			
	21	14	49640000	5-9	7	64906305	2	7
47900014	12	7	49800000	1-2	9	64936206	15	7
48000200	5	7						
48000230	8	7	50900040	6	12	66906203	5	12
				6	13		5	13

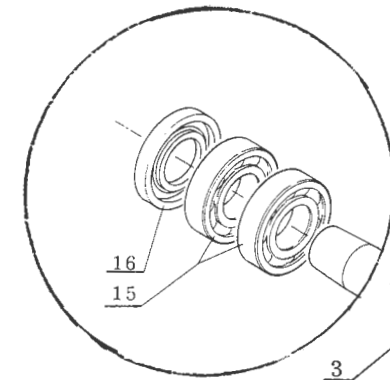
CANADIAN CURTISS-WRIGHT LIMITED

Two Cylinder Engines

SERIAL NUMBER
COMMENCING
39

38

35



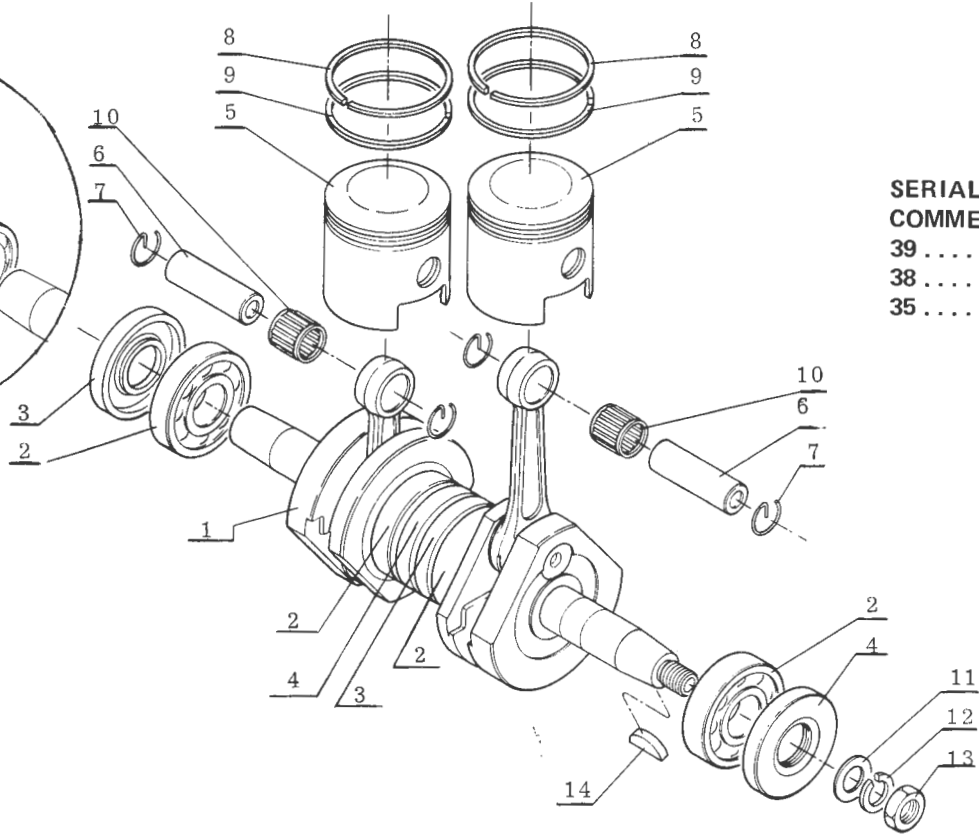
SERIAL NUMBER
COMMENCING

49

48

45

55



PISTON AND CRANKSHAFT

SERIAL NUMBER
COMMENCING

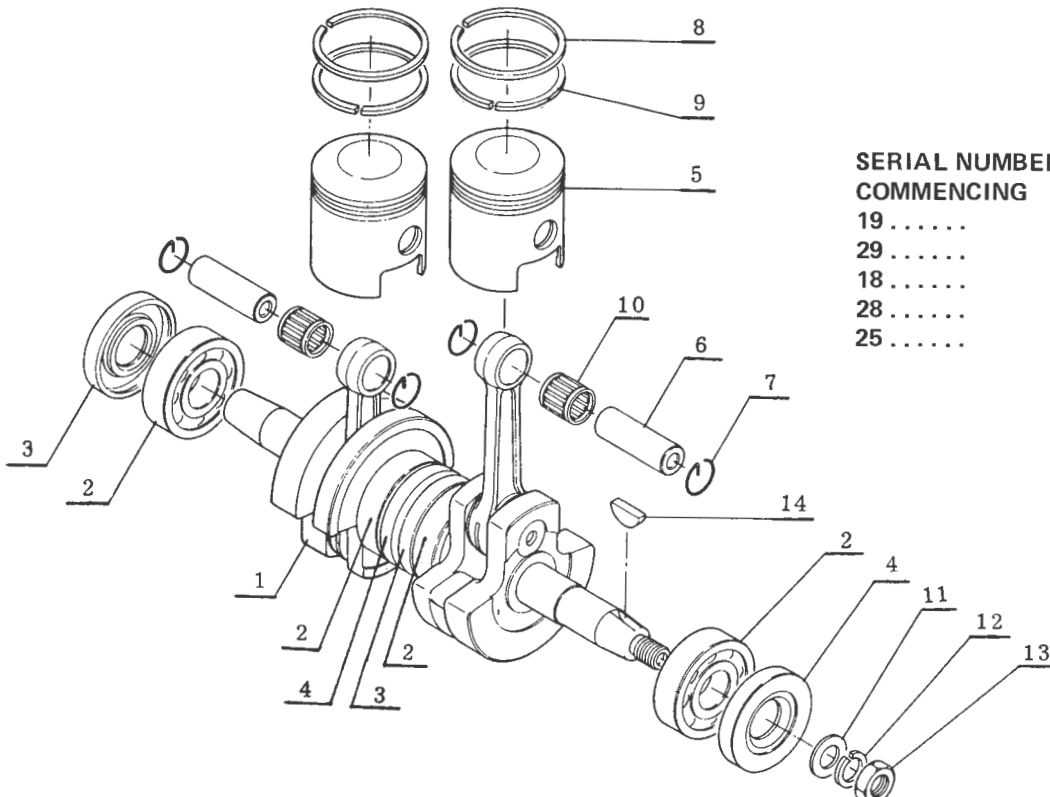
19

29

18

28

25



CCW 340 All Models

SERIAL NUMBER COMMENCING
1900000 2900000 3900000 4900000

KEY	DESCRIPTION	QTY.	PART NO.	PART NO.	PART NO.	PART NO.	REMARKS
1-4	CRANKSHAFT ASSY.	1	18500000	18500000	38500001	49500000*	*COMPLETE WITH KEY #15 & 16 *SEE KEY #16
2	- BALL BEARING	4	64906305	64906305	64906305	64906305	
3	- OIL SEAL (P.T.O.)	2	18000070	18000070	18000080	-*	
4	- OIL SEAL (Magneto)	2	18000080	18000080	18000080	18000080	
5-9	PISTON ASSY.	2	19640000	19640000	39640000	49640000	RINGS FOR ONLY ONE PISTON, 2 KITS REQUIRED PER ENGINE
5	- PISTON	2	19000100	19000100	39000100	49000100	
6	- PISTON PIN	2	18000210	18000210	18000210	18000210	
7	- CIRCLIP	4	18000221	18000221	18000221	18000221	
8-9	PISTON RING KIT	2	19540000	19540000	19540000	49540000	
8	- PISTON RING #1	2	19000110	19000110	19000110	49000110	
9	- PISTON RING #2	2	19000120	19000120	19000120	19000120	
10	NEEDLE BEARING	2	18000090	18000090	18000090	18000090	
11	WASHER 14 Ø	1	45900014	45900014	45900014	45900014	
12	SPRING WASHER 14 Ø	1	47900014	47900014	47900014	47900014	
13	NUT	1	11000470	11000470	11000470	11000470	
14	WOODRUFF KEY	1	11000380	11000380	38001440	38001440	
15	BALL BEARING	2	-	-	-	64936206	
16	OIL SEAL (P.T.O.)	1	-	-	-	45000080	

CCW 400 All Models

SERIAL NUMBER COMMENCING
1800000 2800000 3800000 4800000

KEY	DESCRIPTION	QTY.	PART NO.	PART NO.	PART NO.	PART NO.	REMARKS
1-4	CRANKSHAFT ASSY.	1	18500000	18500000	38500001	49500000*	*COMPLETE WITH KEY #15 & 16 *SEE KEY #16
2	- BALL BEARING	4	64906305	64906305	64906305	64906305	
3	- OIL SEAL (P.T.O.)	2	18000070	18000070	18000080	-*	
4	- OIL SEAL (Magneto)	2	18000080	18000080	18000080	18000080	
5-9	PISTON ASSY.	2	18640000	18640000	38640000	48640000	RINGS FOR ONLY ONE PISTON, 2 KITS REQUIRED PER ENGINE
5	- PISTON	2	18000200	18000200	38000200	48000200	
6	- PISTON PIN	2	18000210	18000210	18000210	18000210	
7	- CIRCLIP	4	18000221	18000221	18000221	18000221	
8-9	PISTON RING KIT	2	18540000	18540000	18540000	48540000	
8	- PISTON RING #1	2	18000230	18000230	18000230	48000230	
9	- PISTON RING #2	2	18000240	18000240	18000240	18000240	
10	NEEDLE BEARING	2	18000090	18000090	18000090	18000090	
11	WASHER 14 Ø	1	45900014	45900014	45900014	45900014	
12	SPRING WASHER 14 Ø	1	47900014	47900014	47900014	47900014	
13	NUT	1	11000470	11000470	11000470	11000470	
14	WOODRUFF KEY	1	11000380	11000380	38001440	38001440	
15	BALL BEARING	2	-	-	-	64936206	
16	OIL SEAL (P.T.O.)	1	-	-	-	45000080	

CCW 440 All Models

SERIAL NUMBER COMMENCING
2500000 3500000 4500000 5500000

KEY	DESCRIPTION	QTY.	PART NO.	PART NO.	PART NO.	PART NO.	REMARKS
1-4	CRANKSHAFT ASSY.	1	25500000	38500001	45500000*	49500000*	*COMPLETE WITH KEY #15 & 16 +4 REQUIRED
2	- BALL BEARING	4	64906305	64906305	64906305	64906305	
3-4	- OIL SEAL	3-4	18000080	18000080	18000080	18000080	
5-9	PISTON ASSY.	2	25640000	25640000	45640000	45640000	RINGS FOR ONLY ONE PISTON, 2 KITS REQUIRED PER ENGINE
5	- PISTON	2	25000100	25000100	45000100	45000100	
6	- PISTON PIN	2	25000110	25000110	25000110	25000110	
7	- CIRCLIP	4	18000221	18000221	18000221	18000221	
8-9	PISTON RING KIT	2	25540000	25540000	45540000	45540000	
8	- PISTON RING #1	2	12000320	12000320	45000130	45000130	
9	- PISTON RING #2	2	12000330	12000330	12000330	12000330	
10	NEEDLE BEARING	2	18000090	18000090	18000090	18000090	
11	WASHER 14 Ø	1	45900014	45900014	45900014	45900014	
12	SPRING WASHER 14 Ø	1	47900014	47900014	47900014	47900014	
13	NUT	1	11000470	11000470	11000470	11000470	
14	WOODRUFF KEY	1	11000380	38001440	38001440	38001440	
15	BALL BEARING	2	-	-	64936206	64936206	
16	OIL SEAL (P.T.O.)	1	-	-	45000080	45000080	

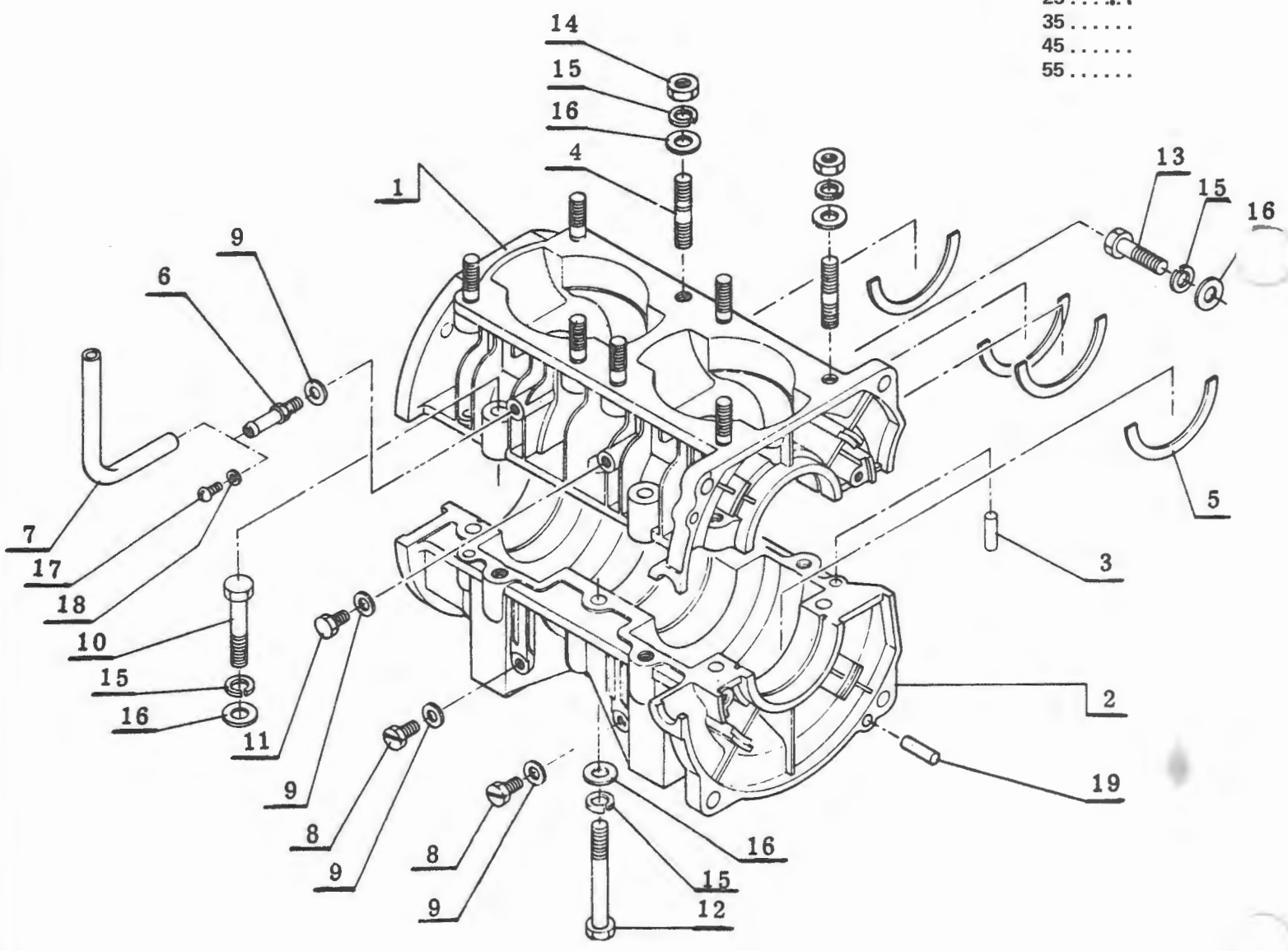
CANADIAN CURTISS-WRIGHT LIMITED

Two Cylinder Engines

CRANKCASE

SERIAL NUMBER
COMMENCING

19.....
29.....
39.....
49.....
18.....
28.....
38.....
48.....
25.....
35.....
45.....
55.....



CCW 340 All Models

SERIAL NUMBER COMMENCING
190000 290000 390000 490000

KEY	DESCRIPTION	QTY.	PART NO.	PART NO.	PART NO.	PART NO.	REMARKS
1	CRANKCASE UPPER	1	1880000	1880000	1880000	4980000	SUPPLIED ONLY AS A MATCHED SET (KEY NO. 1-4)
2	CRANKCASE LOWER	1	1880000	1880000	1880001	4980000	
3	- DOWEL PINS	2	10000150	10000150	10000150	10000150	
4	- STUD BOLTS	8	12000220	12000220	12000220	12000220	
5	CIRCLIP	4	18000140	18000140	18000140	18000140	
6	CONNECTOR - HOSE	1	14000670	18000170	18000170	18000170	FOR HORIZONTAL MANIFOLD FOR VERTICAL MANIFOLD
7	HOSE, CARB-PUMP	1	13001090	13001090	13001090	18000190	
7	HOSE, CARB-PUMP	1	-	18000190	18000190	48001570	
8	DRAIN BOLT	2	18000180	13000340	13000340	13000340	
9	GASKET	4	10000190	13000330	13000330	13000330	
10	BOLT 8 x 45	6	10908045	18001300	18001300	18001300	SEE CYL. BREAKDOWN FOR GASKET SET
11	BOLT 6 x 12	1	10906012	10906012	10906012	10906012	
12	BOLT 8 x 65	4	10908065	18001320	18001320	18001320	
13	BOLT 8 x 28	4	10908028	18001290	18001290	18001290	
14	NUT 8 Ø	8	37900008	37900008	37900008	38001940	
15	SPRING WASHER 8 Ø	22	47900008	47900008	47900008	47900008	*NOT REQUIRED
16	WASHER 8 Ø	22	45900008	45900008	45900008	45900008	
17	SCREW 4 x 6	1	12904006	-*	-*	-*	
18	GASKET	1	12001520	-*	-*	-*	
19	DOWEL PINS	2	10000150	10000150	10000150	10000150	

CCW 400 All Models

SERIAL NUMBER COMMENCING
1800000 2800000 3800000 4800000

KEY	DESCRIPTION	QTY.	PART NO.	PART NO.	PART NO.	PART NO.	REMARKS
1	CRANKCASE UPPER	1	18800000	18800000	18800001	49800000	SUPPLIED ONLY AS A MATCHED SET (KEY NO. 1-4)
2	CRANKCASE LOWER	1	18800000	18800000	18800001	49800000	
3	- DOWEL PINS	2	10000150	10000150	10000150	10000150	
4	- STUD BOLTS	8	12000220	12000220	12000220	12000220	
5	CIRCLIP	4	18000140	18000140	18000140	18000140	
6	CONNECTOR - HOSE	1	14000670	18000170	18000170	18000170	FOR HORIZONTAL MANIFOLD FOR VERTICAL MANIFOLD
7	HOSE, CARB-PUMP	1	13001090	13001090	13001090	18000190	
7	HOSE, CARB-PUMP	1	-	18000190	18000190	48001570	
8	DRAIN BOLT	2	18000180	13000340	13000340	13000340	
9	GASKET	4	10000190	13000330	13000330	13000330	
10	BOLT 8 x 45	6	10908045	18001300	18001300	18001300	SEE CYL. BREAKDOWN FOR GASKET SET
11	BOLT 6 x 12	1	10906012	10906012	10906012	10906012	
12	BOLT 8 x 65	4	10908065	18001320	18001320	18001320	
13	BOLT 8 x 28	4	10908028	18001290	18001290	18001290	
14	NUT 8 Ø	8	37900008	37900008	37900008	38001940	
15	SPRING WASHER 8 Ø	22	47900008	47900008	47900008	47900008	*NOT REQUIRED
16	WASHER 8 Ø	22	45900008	45900008	45900008	45900008	
17	SCREW 4 x 6	1	12904006	-*	-*	-*	
18	GASKET	2	12001520	-*	-*	-*	
19	DOWEL PINS	2	10000150	10000150	10000150	10000150	

CCW 440 All Models

SERIAL NUMBER COMMENCING
2500000 3500000 4500000 5500000

KEY	DESCRIPTION	QTY.	PART NO.	PART NO.	PART NO.	PART NO.	REMARKS
1-2	CRANKCASE	1	18800001	18800001	43800001	49800000	SEE CYL. BREAKDOWN FOR GASKET SET
3	- DOWEL PINS	2	10000150	10000150	10000150	10000150	
4	- STUD BOLTS	8	12000220	12000220	12000220	12000220	
5	CIRCLIP	4	18000140	18000140	18000140	18000140	
6	CONNECTOR - HOSE	1	18000170	18000170	18000170	18000170	
7	HOSE, CARB-PUMP	1	13001090	13001090	13001090	18000190	
8	DRAIN BOLT	2	13000340	13000340	13000340	13000340	
9	GASKET	4	13000330	13000330	13000330	13000330	
10	BOLT 8 x 45	6	18001300	18001300	18001300	18001300	
11	BOLT 6 x 12	1	10906012	10906012	10906012	10906012	
12	BOLT 8 x 65	4	18001320	18001320	18001320	18001320	
13	BOLT 8 x 28	4	18001290	18001290	18001290	18001290	
14	NUT 8 Ø	8	37900008	37900008	37900008	38001940	
15	SPRING WASHER 8 Ø	22	47900008	47900008	47900008	47900008	
16	WASHER 8 Ø	22	45900008	45900008	45900008	45900008	
19	DOWEL PINS	2	10000150	10000150	10000150	10000150	

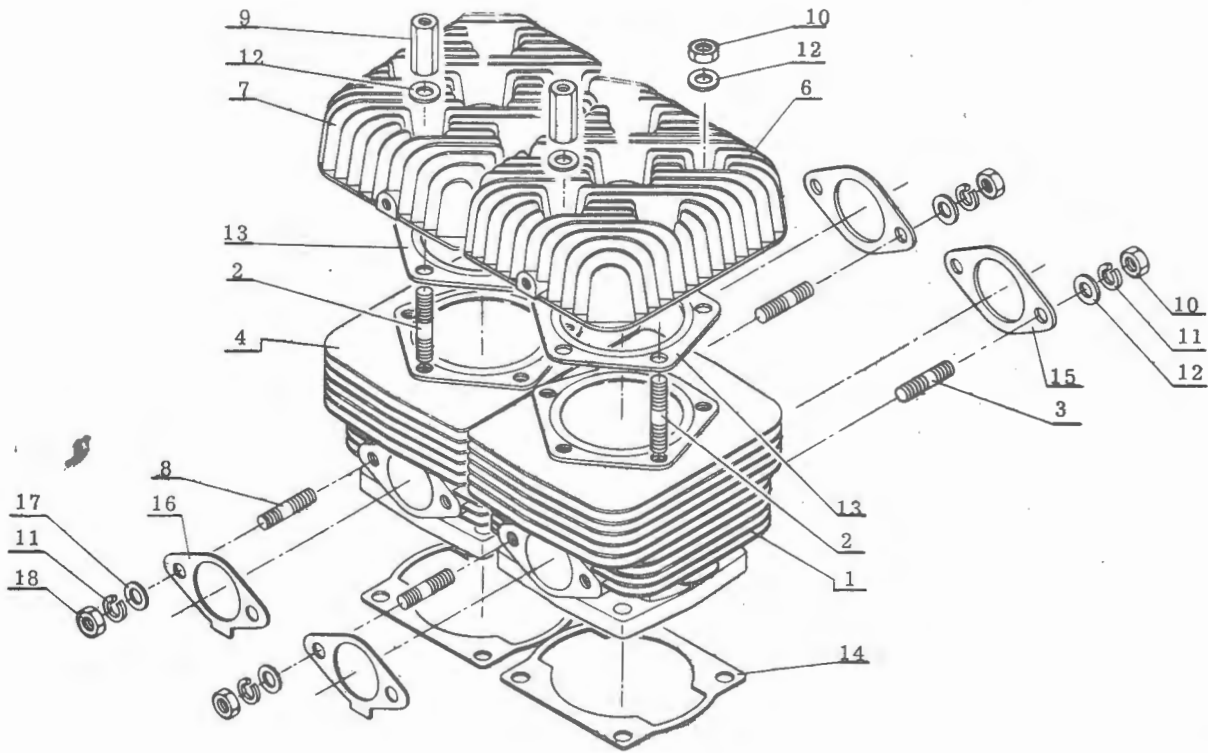
CANADIAN CURTISS-WRIGHT LIMITED

Two Cylinder Engines

SERIAL NUMBER
COMMENCING

19
29
39
49
18
28
38
48
25
35
45
55

CYLINDER ASSEMBLY



CCW 340 All Models

KEY	DESCRIPTION	QTY.	PART NO.	PART NO.	PART NO.	PART NO.	REMARKS
1-3,8	CYL. ASSY. (Fan End)	1	19560000	19560001	39560000	49560001	<p>*NOTE: WITH INSULATOR PT. NO. 12000380 WITHOUT INSULATOR PT. NO. 11000330</p> <p>NOTE: TWO GASKET KITS ARE REQUIRED TO REPLACE ALL GASKETS IN ENGINE. EACH KIT WILL GASKET ONLY ONE CYLINDER.</p>
2-4,8	CYL. ASSY. (P.T.O. End)	1	19580000	19580001	39580000	49580001	
2	- STUD BOLT (Cyl. Head)	10	12000380	12000380	12000380	12000380	
3	- STUD BOLT (Exhaust)	4	11000330	11000330	11000330	11000330	
8	- STUD BOLT (Intake)	4	-*	-*	11000330	11000330	
6	CYL. HEAD (Fan End)	1	19000210	19000211	39000210	49000210	
7	CYL. HEAD (P.T.O. End)	1	19000200	19000201	39000200	49000200	
9	NUT	2	18000350	18000350	18000350	18000350	
10	NUT 8 Ø	12	37900008	37900008	37900008	38001940	
11	SPRING WASHER 8 Ø	8	47900008	47900008	47900008	47900008	
12	WASHER 8 Ø	14	45900008	45900008	45900008	45900008	
	GASKET KIT	2	19550000	19550000	19550000	19550001	
13	- CYL. HEAD GASKET	2	19000190	19000190	19000190	19000190	
14	- CYL. BASE GASKET	2	18000260	18000260	18000260	18000261	
15	- EXH. FLANGE GASKET	2	18000370	18000370	18000370	36001100	
16	- INTAKE FLANGE GASKET	2	18000410	18000410	18000410	18000411	
	- DRAIN BOLT GASKETS	4	10000190	13000330	13000330	13000330	
17	WASHER (8 x 16 x 1.2)	4	56900008	56900008	56900008	56900008	
18	NUT 3N-8Ø	4	39900008	39900008	39900008	38001910	

CCW 400 All Models

KEY	DESCRIPTION	QTY.	PART NO.	PART NO.	PART NO.	PART NO.	REMARKS
1-3,8	CYL. ASSY. (Fan End)	1	18560000	18560001	38560000	48560000	<p>*NOTE: WITH INSULATOR P.T. NO. 12000380 WITHOUT INSULATOR P.T. NO. 11000330</p> <p>NOTE: TWO GASKET KITS ARE REQUIRED TO REPLACE ALL GASKETS IN ENGINE. EACH KIT WILL GASKET ONLY ONE CYLINDER.</p>
2-4,8	CYL. ASSY. (P.T.O. End)	1	18580000	18580001	38580000	48580000	
2	- STUD BOLT (Cyl. Head)	10	12000380	12000380	12000380	12000380	
3	- STUD BOLT (Exhaust)	4	11000330	11000330	11000330	11000330	
8	- STUD BOLT (Intake)	4	-*	-*	11000330	11000330	
6	CYL. HEAD (Fan End)	1	18000340	18000341	38000340	48000340	
7	CYL. HEAD (P.T.O. End)	1	18000330	18000331	38000330	48000330	
9	NUT	2	18000350	18000350	18000350	18000350	
10	NUT 8 Ø	12	37900008	37900008	37900008	38001940	
11	SPRING WASHER 8 Ø	8	47900008	47900008	47900008	47900008	
12	WASHER 8 Ø	14	45900008	45900008	45900008	45900008	
	GASKET KIT	2	18550000	18550000	18550100	18550001	
13	- CYL. HEAD GASKET	2	18000320	18000320	18000280	18000320	
14	- CYL. BASE GASKET	2	18000260	18000260	18000260	18000261	
15	- EXH. FLANGE GASKET	2	18000370	18000370	18000370	36001100	
16	- INTAKE FLANGE GASKET	2	18000410	18000410	18000410	18000411	
	- DRAIN BOLT GASKETS	4	10000190	13000330	13000330	13000330	
17	WASHER (8 x 16 x 1.2)	4	56900008	56900008	56900008	56900008	
18	NUT 3N-8Ø	4	39900008	39900008	39900008	38001910	

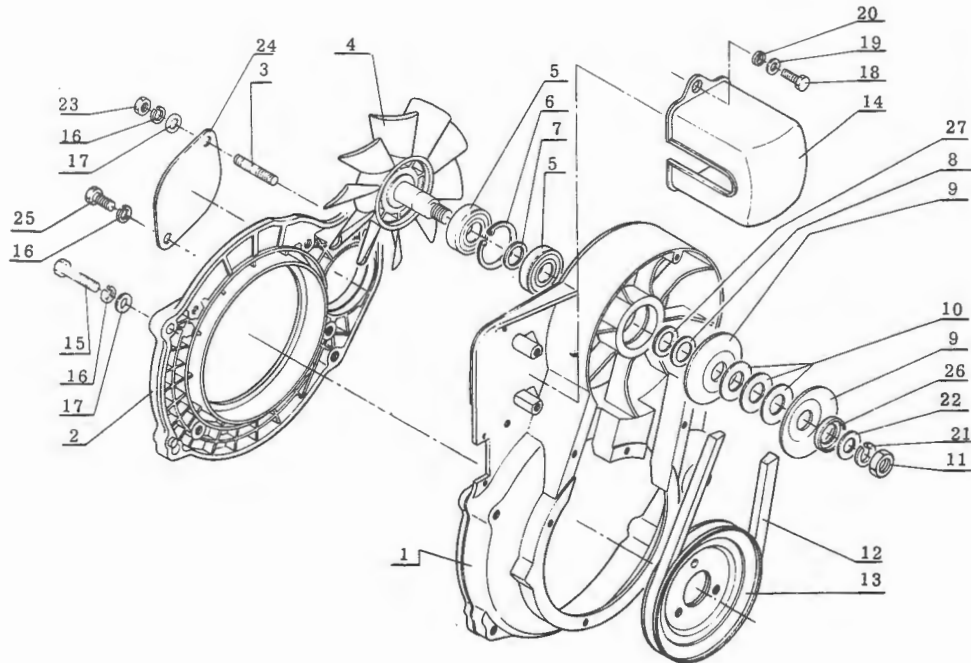
CCW 440 All Models

KEY	DESCRIPTION	QTY.	PART NO.	PART NO.	PART NO.	PART NO.	REMARKS
1-3,8	CYL. ASSY. (Fan End)	1	25560000	35560000	45560000	45560000	<p>NOTE: TWO GASKET KITS ARE REQUIRED TO REPLACE ALL GASKETS IN ENGINE. EACH KIT WILL GASKET ONLY ONE CYLINDER.</p>
2-4,8	CYL. ASSY. (P.T.O. End)	1	25580000	35580000	45580000	45580000	
2	- STUD BOLT (Cyl. Head)	10	12000380	12000380	12000380	12000380	
3	- STUD BOLT (Exhaust)	4	11000330	11000330	11000330	11000330	
8	- STUD BOLT (Intake)	4	11000330	11000330	11000330	11000330	
6	CYL. HEAD (Fan End)	1	25000210	35000210	45000210	55000211	
7	CYL. HEAD (P.T.O. End)	1	25000200	35000200	45000200	55000201	
9	NUT	2	18000350	18000350	18000350	18000350	
10	NUT 8 Ø	12	37900008	37900008	37900008	38001940	
11	SPRING WASHER 8 Ø	8	47900008	47900008	47900008	47900008	
12	WASHER 8 Ø	14	45900008	45900008	45900008	45900008	
	GASKET KIT	2	25550000	25550000	25550000	25550001	
13	- CYL. HEAD GASKET	2	25000190	25000190	25000190	25000190	
14	- CYL. BASE GASKET	2	18000260	18000260	18000260	18000261	
15	- EXH. FLANGE GASKET	2	18000370	18000370	18000370	36001100	
16	- INTAKE FLANGE GASKETS	2	18000410	18000410	18000410	18000411	
	- DRAIN BOLT GASKETS	4	13000330	13000330	13000330	13000330	
17	WASHER (8 x 16 x 1.2)	4	56900008	56900008	56900008	56900008	
18	NUT 3N-8Ø	4	39900008	39900008	39900008	38001910	

CANADIAN CURTISS-WRIGHT LIMITED

Two Cylinder Engines

FAN COVER ASSEMBLY



SERIAL NUMBER COMMENCING

- 19
- 29
- 39
- 49
- 18
- 28
- 38
- 48
- 25
- 35
- 45

CCW 340 All Models

SERIAL NUMBER COMMENCING
1900000 2900000 3900000 4900000

KEY	DESCRIPTION	QTY.	PART NO.	PART NO.	PART NO.	PART NO.	REMARKS
1	FAN COVER	1	18060000	18060001	18060003	18060006	MODEL E & G
2	FAN COVER CASE	1	18000150	18000150	18000151	18000151	
3	STUD BOLT	2	18000160	18000160	18000160	18000160	
4	FAN	1	18620000	18620001	25140000	25140000	
5	BALL BEARING	2	66906203	66906203	66906203	66906203	
6	CIRCLIP	1	50900040	50900040	50900040	50900040	
7	WASHER	1	18000950	18000950	18000950	18000950	
8	WASHER (Thick)	1	18000960	18000960	18000960	18000960	
9	PULLEY	2	19000600	18000890	18000890	18000890	
10	SPACER (Thick)	1	19000610	18000900	18000900	18000900	
10	SPACER (Thin)	2	19000620	18000910	18000910	18000910	
11	NUT	1	18000970	18000970	18000970	18000970	
12	"V" BELT	1	52900026	52900025	52900025	52900025	
13	PULLEY	1	18000870	18000870	18000870	18000871	
14	COIL COVER	1	18001080	18001081	18001083	18001083	
15	BOLT 8 x 35	4	10908035	18001310	18001310	18001310	MODEL E & G
16	SPRING WASHER 8 Ø	6	47900008	47900008	47900008	47900008	
17	WASHER 8 Ø	4	45900008	45900008	45900008	45900008	
18	BOLT 6 x 10	2	10906010	-	-	-	
18	SCREW	2	-	18001110	-	-	
18	BOLT 6 x 12	2	-	-	10906012	10906012	
19	WASHER 6 Ø	2	47900006	-	45900006	45900006	
20	COIL COVER WASHER	2	45900006	-	18001121	18001121	
21	SPRING WASHER 12 Ø	1	47900012	47900012	47900012	47900012	
22	WASHER 12 Ø	1	45900012	45900012	45900012	45900012	
23	NUT 8 Ø	2	-	37900008	37900008	38001940	MODEL E & G
24	COVER PLATE	1	11000190	11000190	11000190	11000190	MODEL S & G
25	BOLT 8 x 20	2	10908020	18001330	18001330	18001330	MODEL S
26	SPACER (Outside)	1	18000990	18000990	18000990	18000990	
27	WASHER (Thin)	1	-	-	35001040	35001040	

CCW 400 All Models

SERIAL NUMBER COMMENCING
1800000 2800000 3800000 4800000

KEY	DESCRIPTION	QTY.	PART NO.	PART NO.	PART NO.	PART NO.	REMARKS
1	FAN COVER	1	18060000	18060001	18060003	18060006	MODEL E & G
2	FAN COVER CASE	1	18000150	18000150	18000151	18000151	
3	STUD BOLT	2	18000160	18000160	18000160	18000160	
4	FAN	1	18620000	18620001	25140000	25140000	
5	BALL BEARING	2	66906203	66906203	35001060	66906203	
6	CIRCLIP	1	50900040	50900040	50900040	50900040	
7	WASHER	1	18000950	18000950	18000950	18000950	
8	WASHER (Thick)	1	18000960	18000960	18000960	18000960	
9	PULLEY	2	18000890	18000890	35000980	18000890	
10	SPACER (Thick)	1	18000900	18000900	-	18000900	
10	SPACER (Thin)	2	18000910	18000910	35001000*	18000910	*3 REQUIRED
11	NUT	1	18000970	18000970	18000970	18000970	
12	"V" BELT	1	52900025	52900025	35001010	52900025	
13	PULLEY	1	18000870	18000870	35000970	18000870	
14	COIL COVER	1	18001080	18001081	18001083	18001083	
15	BOLT 8 x 35	4	10908035	18001310	18001310	18001310	
16	SPRING WASHER 8 Ø	6	47900008	47900008	47900008	47900008	
17	WASHER 8 Ø	4	45900008	45900008	45900008	45900008	
18	BOLT 6 x 10	2	10906010	-	-	-	
18	SCREW	2	-	18001110	-	-	
18	BOLT 6 x 12	2	-	-	10906012	10906012	MODEL E & G MODEL S & G MODEL S
19	WASHER 6 Ø	2	47900006	-	45900006	45900006	
20	COIL COVER WASHER	2	45900006	-	18001121	18001121	
21	SPRING WASHER 12 Ø	1	47900012	47900012	47900012	47900012	
22	WASHER 12 Ø	1	45900012	45900012	45900012	45900012	
23	NUT 8 Ø	2	-	37900008	37900008	38001940	
24	COVER PLATE	1	11000190	11000190	11000190	11000190	
25	BOLT 8 x 20	2	10908020	18001330	18001330	18001330	
26	SPACER (Outside)	1	18000990	18000990	18000990	18000990	
27	WASHER (Thin)	1	-	-	35001040	35001040	

CCW 440 All Models

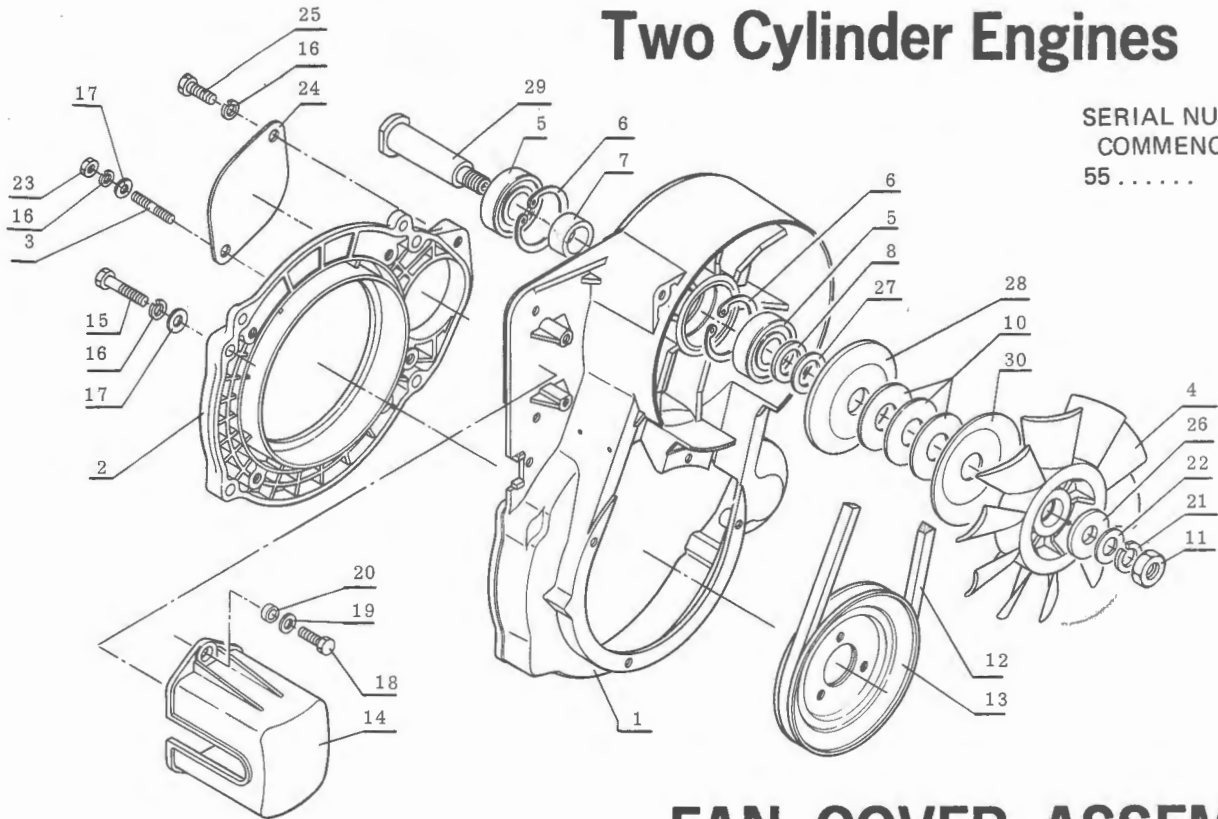
SERIAL NUMBER COMMENCING
2500000 3500000 4500000 5500000

KEY	DESCRIPTION	QTY.	PART NO.	PART NO.	PART NO.	PART NO.*	REMARKS
1	FAN COVER	1	18060003	18060003	18060005	*NOTE: REFER TO PAGE 14 TO SERVICE ENGINE COMMENCING 55.....	
2	FAN COVER CASE	1	18000151	18000151	18000151		
3	STUD BOLT	2	18000160	18000160	18000160		
4	FAN	1	18620001	18620001	25140000		
5	BALL BEARING	2	66906203	35001060	35001060		
6	CIRCLIP	1	50900040	50900040	50900040	MODEL E & G MODEL S & G MODEL S	
7	WASHER	1	18000950	18000950	18000950		
8	WASHER	1	18000960	25001030	25001030		
9	PULLEY	2	18000890	35000980	35000980		
10	SPACER (Thick)	1	18000900	-	-		
10	SPACER (Thin)	2	18000910	-	-		
10	SPACER	3	-	35001000	35001000		
11	NUT	1	18000970	18000970	18000970		
12	"V" BELT	1	52900025	35001010	35001010		
13	PULLEY	1	18000870	35000970	35000970		
14	COIL COVER	1	18001082	18001083	18001083		
15	BOLT 8 x 35	4	18001310	18001310	18001310		
16	SPRING WASHER 8 Ø	6	47900008	47900008	47900008		
17	WASHER 8 Ø	4	45900008	45900008	45900008		
18	BOLT 6 x 12	2	10906012	10906012	10906012		
19	WASHER 6 Ø	2	45900006	45900006	45900006		
20	COIL COVER WASHER	2	18001120	18001121	18001121		
21	SPRING WASHER 12 Ø	1	47900012	47900012	47900012		
22	WASHER 12 Ø	1	45900012	45900012	45900012		
23	NUT 8 Ø	2	37900008	37900008	37900008		
24	COVER PLATE	1	11000190	11000190	11000190		
25	BOLT 8 x 20	2	18001330	18001330	18001330		
26	SPACER (Outside)	1	18000990	18000990	18000990		
27	WASHER	1	-	35001040	35001040		

CANADIAN CURTISS-WRIGHT LIMITED

Two Cylinder Engines

SERIAL NUMBER
COMMENCING
55



FAN COVER ASSEMBLY

CCW 440

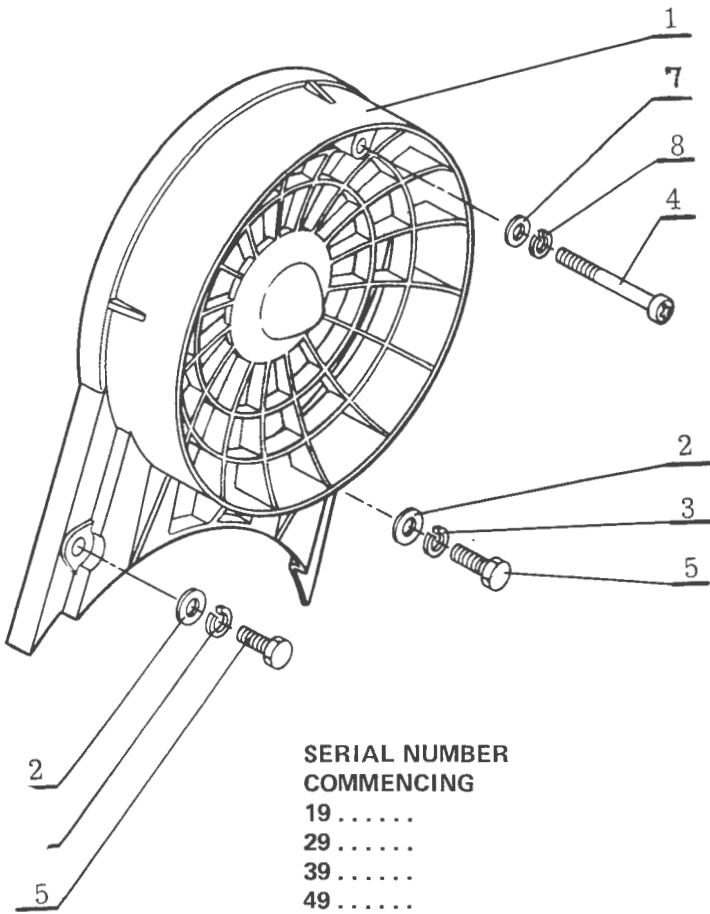
SERIAL NUMBER COMMENCING
2500000 3500000 4500000 5500000

KEY	DESCRIPTION	QTY.	PART NO.*	PART NO.*	PART NO.*	PART NO.	REMARKS
1	FAN COVER	1	*NOTE: REFER TO PAGE 13 TO SERVICE ENGINE COMMENCING 25			36060003	*2 REQUIRED
2	FAN COVER CASE	1				55001000	
3	STUD BOLT	2				18000160	
4	FAN	1				36002250	
5	BALL BEARING	2				36002270	
6	CIRCLIP	1-2				50900047*	
7	WASHER	1	—	—	36002291		
8	WASHER	1	—	—	36002330		
9	PULLEY	2	—	—	—		
10	SPACER (Thick)	1	—	—	—		
10	SPACER (Thin)	2	—	—	—		
10	SPACER	3	—	—	—	36002301	
11	NUT	1	—	—	—	18000970	
12	"V" BELT	1	—	—	—	36002340	
13	PULLEY	1	—	—	—	35000970	
14	COIL COVER	1	—	—	—	18001083	
15	BOLT 8 x 35	4	—	—	—	18001310	
16	SPRING WASHER 8 Ø	6	—	—	—	47900008	
17	WASHER 8 Ø	4	—	—	—	45900008	
18	BOLT 6 x 12	2	—	—	—	10906012	
19	WASHER 6 Ø	2	—	—	—	45900006	
20	COIL COVER WASHER	2	—	—	—	18001121	
21	SPRING WASHER 12 Ø	1	—	—	—	47900012	
22	WASHER 12 Ø	1	—	—	—	45900012	
23	NUT 8 Ø	2	—	—	—	38001940	
24	COVER PLATE	1	—	—	—	11000190	MODEL E & G MODEL S & G MODEL S
25	BOLT 8 x 20	2	—	—	—	18001330	
26	SPACER (Outside)	1	—	—	—	36002310	
27	WASHER	1	—	—	—	36002350	
28	PULLEY (Inner)	1	—	—	—	36002240	
29	FAN SHAFT	1	—	—	—	36002260	
30	PULLEY (Outer)	1	—	—	—	36002230	

CANADIAN CURTISS-WRIGHT LIMITED

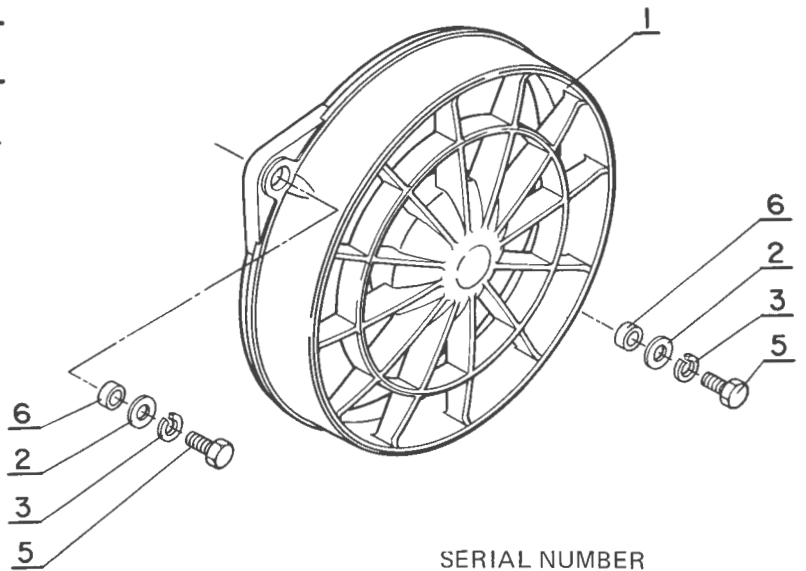
Two Cylinder Engines

FAN GUARD



SERIAL NUMBER
COMMENCING

19.....
29.....
39.....
49.....
18.....
28.....
38.....
48.....
25.....
35.....
45.....



SERIAL NUMBER
COMMENCING
55.....

CCW 340 All Models

CCW 400 All Models

CCW 440 All Models

SERIAL NUMBER COMMENCING

1900000 3900000 4900000
2900000

1800000 3800000 4800000
2800000

2500000 3500000 4500000 5500000

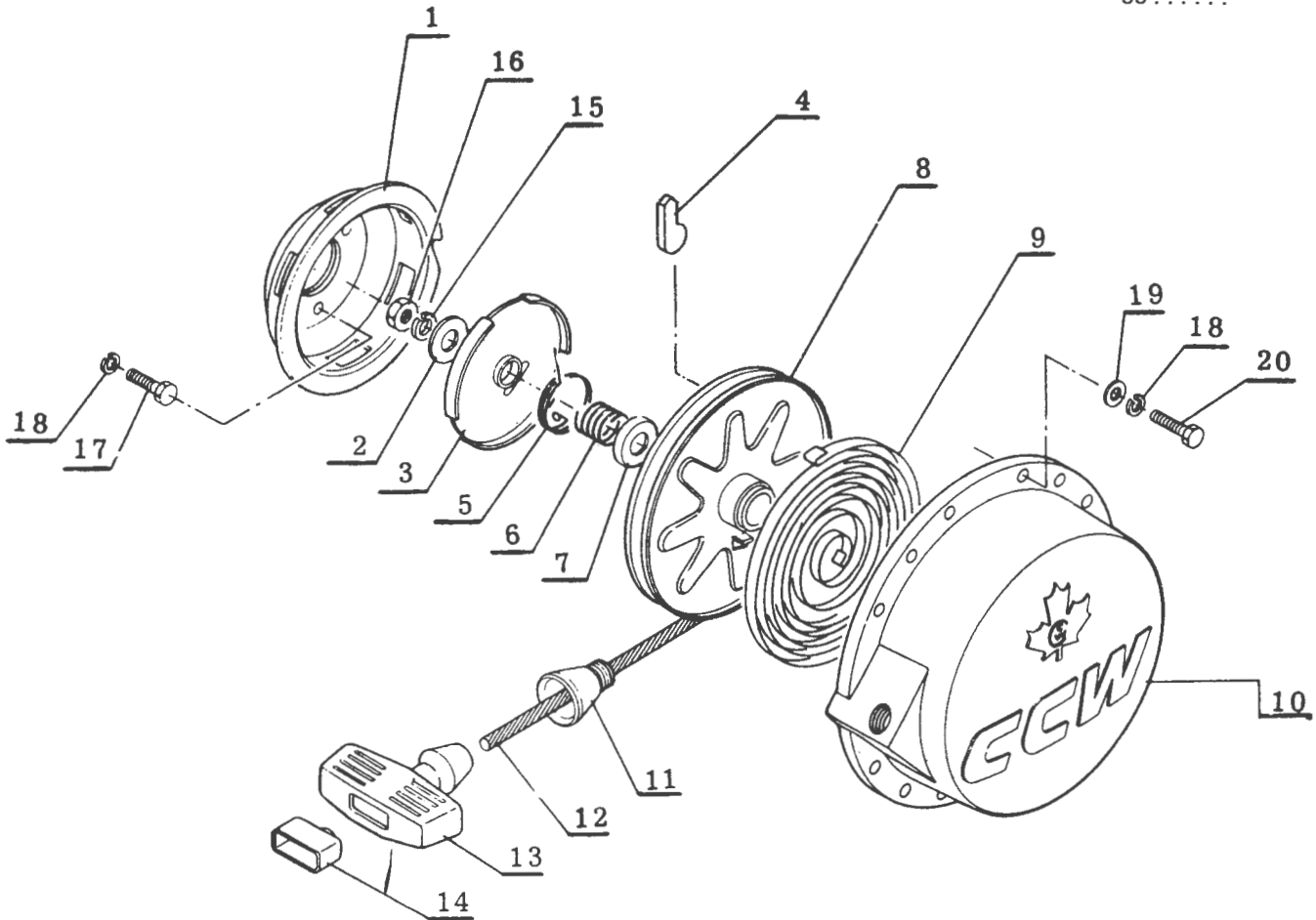
KEY	DESCRIPTION	QTY.	PART NO.	PART NO.	PART NO.	PART NO.	REMARKS
1	FAN GUARD	1	18001000	18001000	18001001	36002402	
2	WASHER	2	45900006	45900006	45900006	45900006	
3	SPRING WASHER 6 Ø	2	47900006	47900006	47900006	47900006	
4	SCREW	1	12905045	12905045	10906052	—	
5	BOLT	1	10906015	10906015	10906015	10906012	
6	SPACER	2	—	—	—	18001121	
7	WASHER	1	45900005	45900005	45900006	—	
8	SPRING WASHER	1	47900005	47900005	47900006	—	

CANADIAN CURTISS-WRIGHT LIMITED

Two Cylinder Engines

RECOIL STARTER

SERIAL NUMBER	
COMMENCING	
19.....	
29.....	
39.....	
49.....	
18.....	
28.....	
38.....	
48.....	
25.....	
35.....	
45.....	
55.....	



CCW 340 All Models
CCW 400 All Models
CCW 440 All Models

SERIAL NUMBER COMMENCING			
1900000	2900000	3900000	4900000
1800000	2800000	3800000	4800000
	2500000	3500000	5500000
			4500000

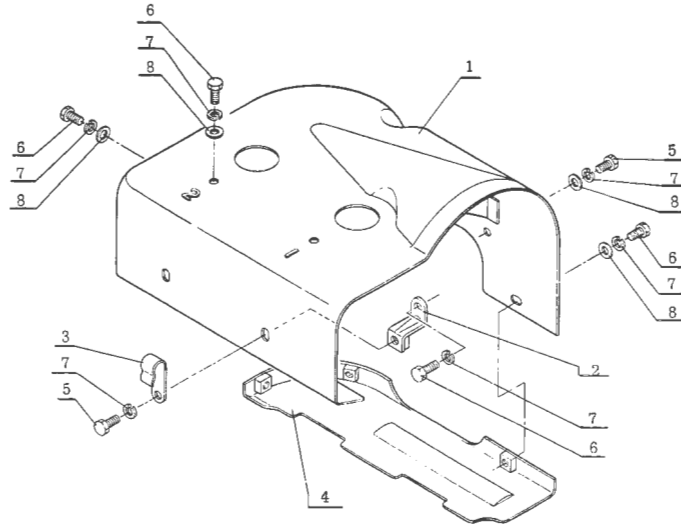
KEY	DESCRIPTION	QTY.	PART NO.	PART NO.	PART NO.		
1	STARTER PULLEY	1	18000880	18000880	18000880	18000880	
2-16	RECOIL STARTER ASSY.	1	18100000	18100001	18100001	18100002	
2	- WASHER	1	10000820	10000821	10000821	10000821	
3	- FRICTION PLATE	1	10000830	10000830	10000830	10000830	
4	- PAWL	3	10000840	10000840	10000840	10000840	
5	- RETURN SPRING	1	10000890	10000890	10000890	10000890	
6	- SPRING	1	10000900	10000900	10000900	10000900	
7	- WASHER	1	10000910	10000910	10000910	10000910	
8	- REEL	1	12001030	12001030	12001030	12001030	
9	- MAIN SPRING	1	12001040	12001040	12001040	12001040	
10	- CASE	1	18110000	18110001	18110001	18110001	
11	- ROPE GUIDE	1	12001070	12001071	12001071	12001071	
12	- ROPE	1	12001080	12001080	12001080	18001200	
13	- HANDLE	1	10000930	10000930	10000930	10000930	
14	- END PIECE	1	10000940	10000940	10000940	10000940	
15	- SPRING WASHER 8 Ø	1	47900008	47900008	47900008	47900008	
16	- NUT 8 Ø	1	39900008	39900008	39900008	39900008	
17	BOLT 6 x 22	3	10906022	10906022	-	-	
17	BOLT 6 x 15	3	-	-	10906015*	38001370	*ALL EXCEPT ENGINE NO. 45 ** ENGINE NO. 45 ONLY
17	BOLT	3	-	-	38001370**	-	
18	SPRING WASHER 6 Ø	7	47900006	47900006	47900006	47900006	
19	WASHER 6 Ø	4	45900006	45900006	45900006	45900006	
20	BOLT 6 x 22	4	10906022	10906022	10906022	10906022	

CANADIAN CURTISS-WRIGHT LIMITED

Two Cylinder Engines

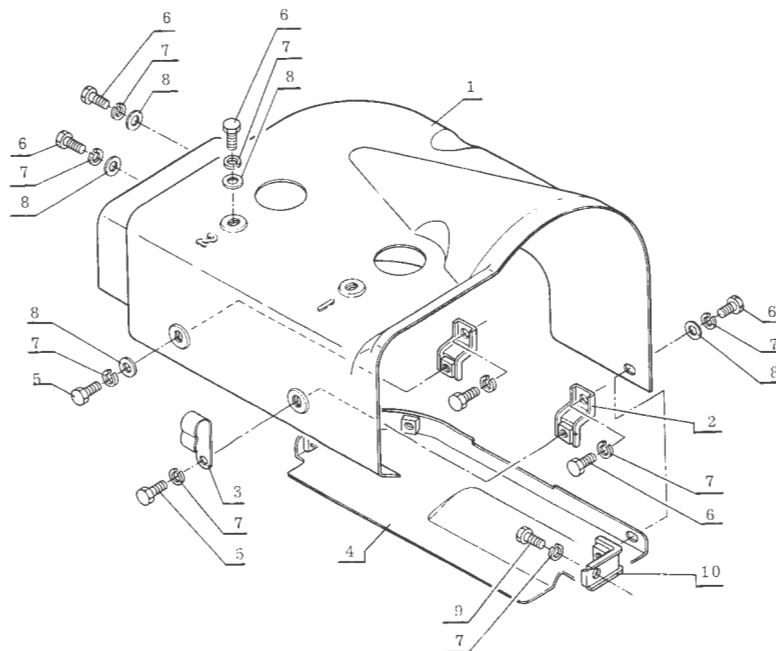
SERIAL NUMBER
COMMENCING

19
29
39
49
18
28
38
48
25
35
45



CYLINDER COVER

SERIAL NUMBER
COMMENCING
55



CCW 340 All Models

SERIAL NUMBER COMMENCING
1900000 2900000 3900000 4900000

KEY	DESCRIPTION	QTY.	PART NO.	PART NO.	PART NO.	PART NO.	REMARKS
1	CYLINDER COVER	1	—	—	—	38001360	WITH AIR OUTLET FLANGE
1	CYLINDER COVER	1	18001010	18001010	18001010	35001110	WITHOUT AIR
2	CLAMP (Cyl. Adaptor)	2	18070000	18070000	18070000	35070000	OUTLET FLANGE
3	CLAMP	1	18000760	18000760	18000760	18000760	
4	CYL. COVER ADAPTOR	1	18080000	18080000	18080000	18080000	
5	BOLT 6 x 10	4	10906010	—	—	—	
6	BOLT 6 x 12	8	10906012	—	—	—	
5-6	BOLT 6 x 12	9	—	10906012	10906012	10906012	
7	SPRING WASHER 6 Ø	12	47900006	47900006	47900006	47900006	
8	WASHER 6 Ø	9	45900006	45900006	45900006	45900006	

CCW 400 All Models

SERIAL NUMBER COMMENCING
1800000 2800000 3800000 4800000

KEY	DESCRIPTION	QTY.	PART NO.	PART NO.	PART NO.	PART NO.	REMARKS
1	CYLINDER COVER	1	—	—	—	38001360	WITH AIR OUTLET FLANGE
1	CYLINDER COVER	1	18001010	18001010	18001010	35001110	WITHOUT AIR
2	CLAMP (Cyl. Adaptor)	2	18070000	18070000	25070000	35070000	OUTLET FLANGE
3	CLAMP	1	18000760	18000760	18000760	18000760	
4	CYL. COVER ADAPTOR	1	18080000	18080000	18080000	18080000	
5	BOLT 6 x 10	4	10906010	—	—	—	
6	BOLT 6 x 12	8	10906012	—	—	—	
5-6	BOLT 6 x 12	12	—	10906012	10906012	10906012	
7	SPRING WASHER 6 Ø	12	47900006	47900006	47900006	47900006	
8	WASHER 6 Ø	9	45900006	45900006	45900006	45900006	

CCW 440 All Models

SERIAL NUMBER COMMENCING
2500000 3500000 4500000 5500000

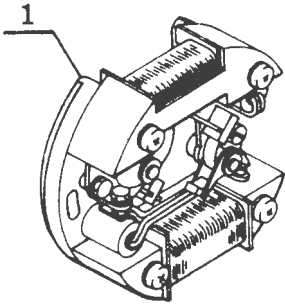
KEY	DESCRIPTION	QTY.	PART NO.	PART NO.	PART NO.	PART NO.	REMARKS
1	CYLINDER COVER	1	18001010	18001050	18001010	55001111*	*WITH AIR
2	CLAMP (Cyl. Adaptor)	2	25070000	35070000	35070000	35070000	OUTLET FLANGE
3	CLAMP	1	18000760	18000760	18000760	18000760	
4	CYL. COVER ADAPTOR	1	18080000	18090000	18080000	55080000	
5-6	BOLT 6 x 12	12	10906012	10906012	10906012	10906012	
7	SPRING WASHER 6 Ø	12	47900006	47900006	47900006	47900006	
8	WASHER 6 Ø	9	45900006	45900006	45900006	45900006	
9	BOLT 6 x 12	1	—	—	—	10906012	
10	CLAMP (Cyl. Cover)	1	—	—	—	55200000	

CANADIAN CURTISS-WRIGHT LIMITED

Two Cylinder Engines

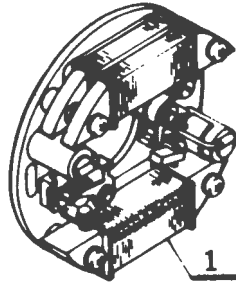
TO IDENTIFY YOUR IGNITION:

NOTE SHAPE OF
COIL PLATE

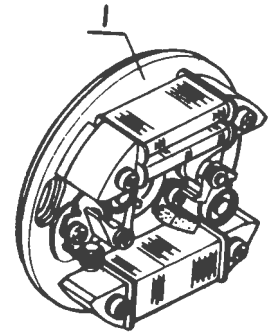


CCW 340 S
(SAWAFUJI)

NOTE TWO
IGNITION COILS
NOTE ONLY
ONE OIL
FELT

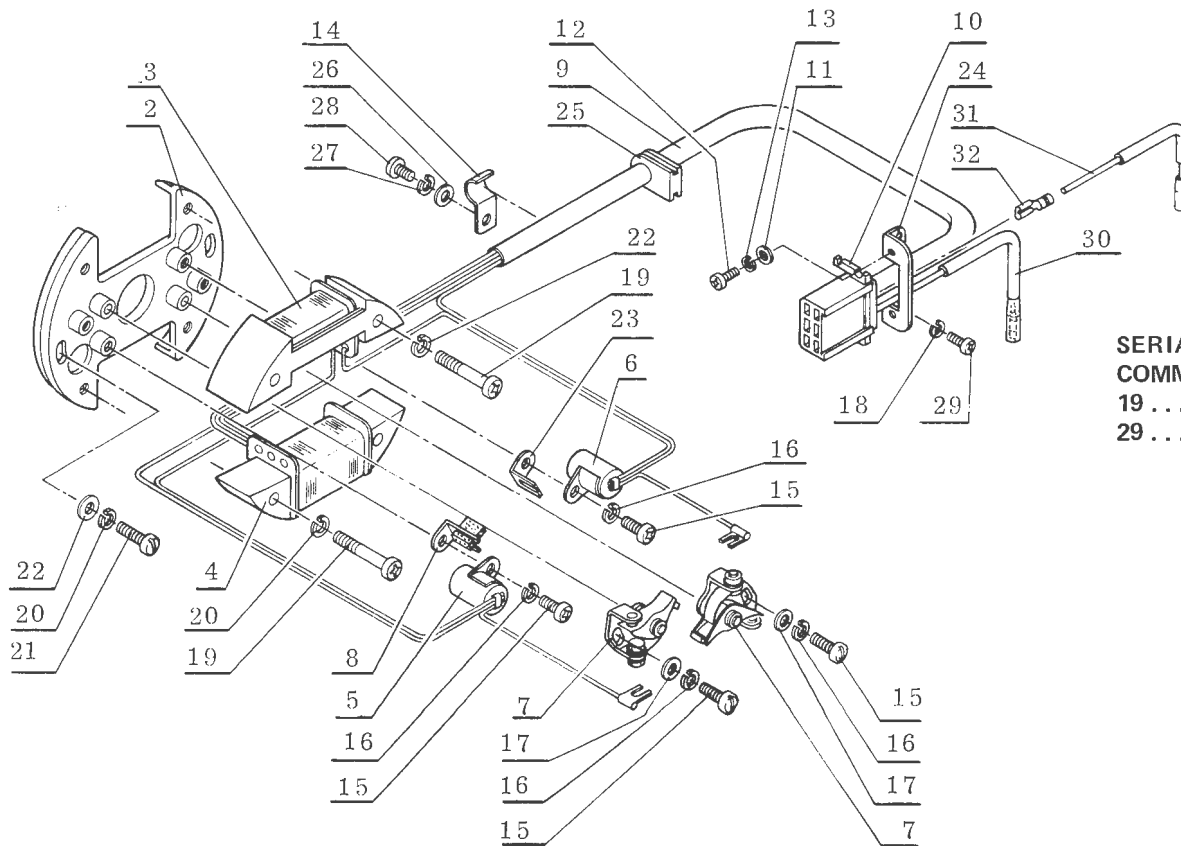


CCW 340 E & G
CCW 400 ALL MODELS
(KOKUSAN)



CCW 440 ALL MODELS
(DENSO)

COIL PLATE ASSY.



SERIAL NUMBER
COMMENCING
19.....
29.....

CCW 340S
(SAWAFUJI IGNITION)

CCW 340 Model S Only

SERIAL NUMBER COMMENCING

1900000 2900000 3900000 4900000

KEY	DESCRIPTION	QTY.	PART NO.	PART NO.	PART NO.*	PART NO.*	REMARKS
	MAGNETO ASSY. (Without Ring Gear)	1	19030000	19030001			NOTE * THIS IGNITION SYSTEM HAS BEEN DISCONTINUED FOR SERVICING CCW 340S SER. NO. 39 & 49 REFER TO PAGE 22-23
1	– FLYWHEEL ASSY.	1	19660000	19660000			
	(2-32) COIL PLATE ASSY.	1	19680000	19680001			
2	– COIL PLATE	1	19000250	19000250			
3	– IGNITION GENERATING COIL	1	19000260	19000260			
4	– LIGHTING COIL	1	19000270	19000270			
5	– CONDENSER (White Lead)	1	19000280	19000280			
6	– CONDENSER (Red Lead)	1	19000480	19000480			
7	– POINT SET	2	19000300	19000300			
8	– OIL FELT & HOLDER	1-2	19000310	19000310			
9	– PROTECTOR	1	19000320	19000320			
10	– COUPLER	1	19000340	18000571 ^x	□ – 8 POLE COUPLER		
11	– WASHER 3 Ø	2	–	45900003	x – 6 POLE COUPLER		
12	– SCREW 3 x 10	2	–	12903010			
13	– SPRING WASHER 3 Ø	2	–	47900003			
14	– CLAMP	1	–	19000510			
15	– SCREW 4 x 8	4	18904008	18904008			
16	– SPRING WASHER 4 Ø	4	47900004	47900004			
17	– WASHER 4 Ø	2	45900004	45900004			
18	– WASHER 3 Ø	2	47900003	47900003			
19	– SCREW 5 x 35	4	18905035	18905035			
20	– SPRING WASHER 5 Ø	6	47900005	47900005			
21	– SCREW 5 x 22	2	12905022	12905022			
22	– WASHER 5 Ø	2	45900005	45900005			
23	– HOLDER	1	19000310	19000310			
24	– BRACKET (Coupler)	1	18000770	18000771 ^x	□ – 8 POLE BRACKET		
25	– RUBBER BUSHING	1	19000550	19000550	x – 6 POLE BRACKET		
26	– WASHER 4 Ø	–	–	45900004			
27	– SPRING WASHER 4 Ø	–	–	47900004			
28	– SCREW 4 x 8	–	–	18904008			
29	– SCREW 3 x 10	2	12903010	12903010			
30	– SPADE CONNECTOR ASSY. (Red Lead)	1	–	19060000			
31	– SPADE CONNECTOR ASSY. (White Lead)	1	–	19050000			
32	– SPADE CONNECTOR (Female)	5-7	18000810	18000811			
	– SPADE CONNECTOR (Male)	5-7	18000820	18000821			

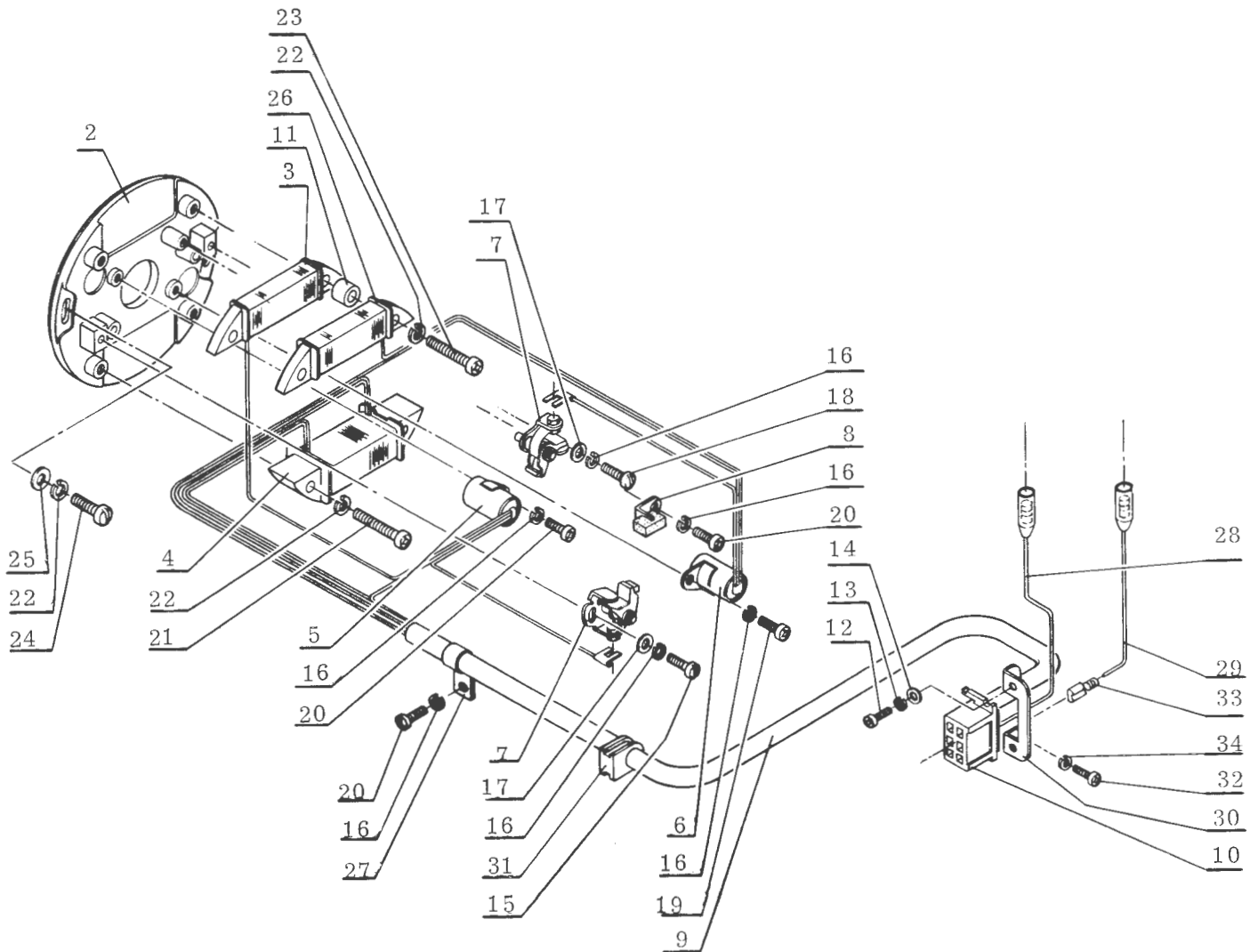
CANADIAN CURTISS-WRIGHT LIMITED

Two Cylinder Engines

SERIAL NUMBER
COMMENCING

19
29
39
49
18
28
38
48

COIL PLATE ASSY.



CCW 340 E & G
CCW 400 ALL MODELS
(KOKUSAN IGNITION)

CCW 340 Models E & G

CCW 400 All Models

SERIAL NUMBER COMMENCING

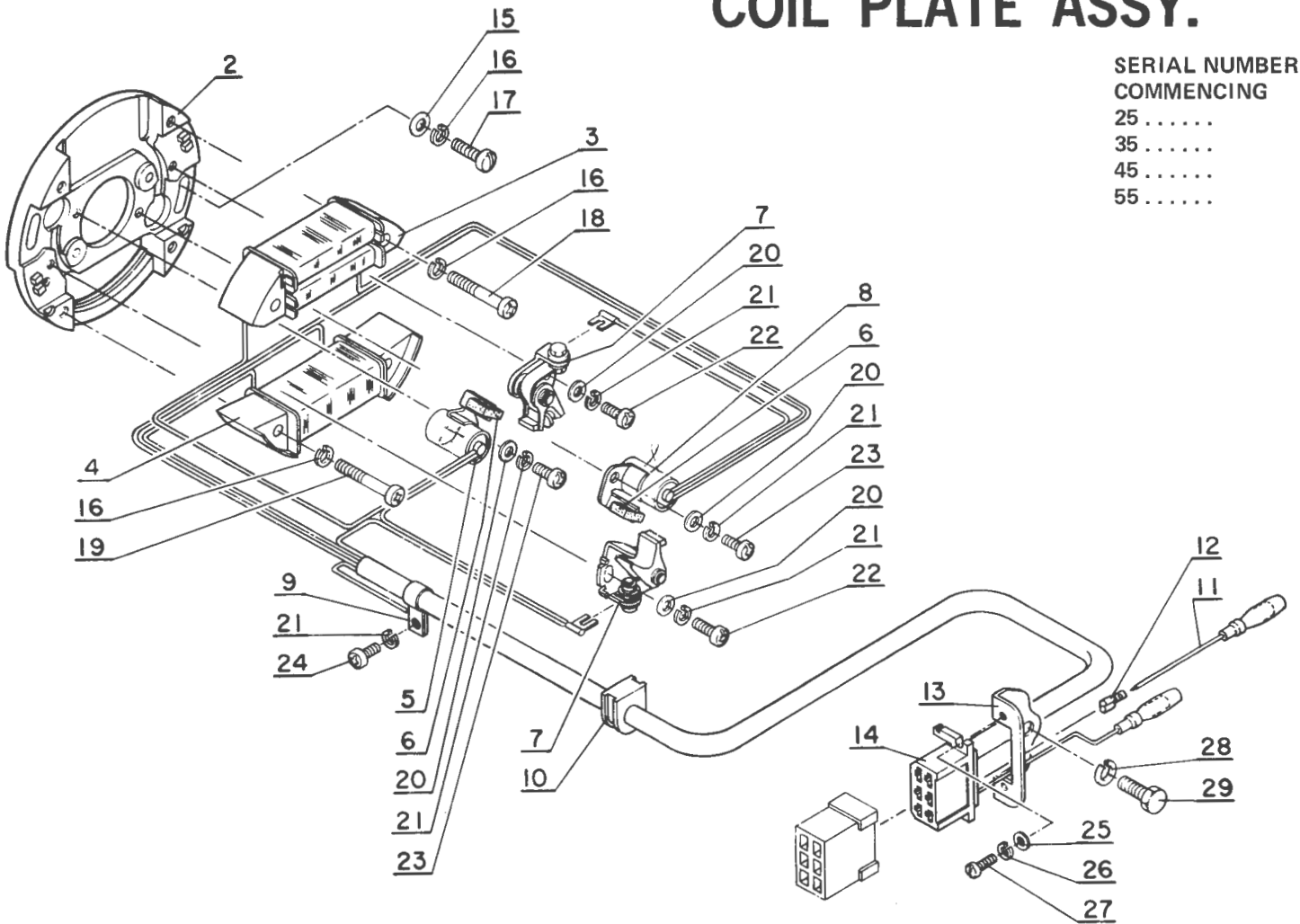
1900000	2900000	3900000	4900000
1800000	2800000	3800000	4800000

KEY	DESCRIPTION	QTY.	PART NO.	PART NO.	PART NO.	PART NO.	REMARKS
1	MAGNETO ASSY. (Without Ring Gear)	1	18050000	18050001	18050002	18050003	
	MAGNETO ASSY. (With Ring Gear)	1	18600000	18600001	18600002	18600003	
	– FLYWHEEL ASSY. (With Ring Gear)	1	18590000	18590000	18590001	18590002	
	– FLYWHEEL ASSY. (Without Ring Gear)	1	18520000	18520000	18520001	18520002	
	(2-29) COIL PLATE ASSY.	1	18510000	18510001	18510002	18510003	
2	– COIL PLATE	1	18000450	18000450	18000451	18000452	
3	– IGNITION GENERATING COIL	1	18000460	18000460	18000461	18000461	
4	– LIGHTING COIL	1	18000470	18000471	18000472	18000473	
5	– CONDENSER (White Lead)	1	18000490	18000490	18000491	18000491	
6	– CONDENSER (Red Lead)	1	18000740	18000740	18000741	18000741	
7	– POINT SET	2	18000510	18000510	18000510	18000511	
8	– OIL FELT & HOLDER	1	18000520	18000520	18000520	18000520	
9	– PROTECTOR	1	18000530	18000530	18000530	18000530	
10	– COUPLER	1	18000570 [□]	18000571 ^x	18000571 ^x	18000571 ^x	□ – 8 POLE COUPLER
11	– SPACER	2-4	18000590	18000590	18000591*	18000591*	x – 6 POLE COUPLER * 2 REQUIRED
12	– SCREW	2	12903010	12903010	12903008	12903008	
13	– SPRING WASHER 3 Ø	2	47900003	47900003	47900003	47900003	
14	– WASHER 3 Ø	2	45900003	45900003	45900003	45900003	
	– SCREW 4 x 10	1	12904010	12904010	12904010	12904010	
	– SPRING WASHER 4 Ø	5-6	47900004	47900004	47900004	47900004*	* 6 REQUIRED
17	– WASHER 4 Ø	2	45900004	45900004	45900004	45900004	
18	– SCREW 4 x 10	1	12904010	12904010	12904010	12904010	
19	– SCREW	1	12904012	12904012	18904010	18904007	
20	– SCREW	1	18904007	18904007	18904008	18904007	
21	– SCREW	2	18905025	18905025	18905025	18905032	
22	– SPRING WASHER 5 Ø	6	47900005	47900005	47900005	47900005	
23	– SCREW 5 x 30	2	18905030	18905030	18905030	18905030	
24	– SCREW	2	12905022	12905022	12905022	12905016	
25	– WASHER 5 Ø	2	45900005	45900005	45900005	47900005	
26	– IGNITION GENERATING COIL	1	18000720	18000720	18000721	18000722	
27	– CLAMP	1	18000480	18000480	18000480	18000480	
28	– SPADE CONNECTOR ASSY. (White Wire)	1	–	18120000	18120000	18120000	
29	– SPADE CONNECTOR ASSY. (Red Wire)	1	–	18130000	18130000	18130000	
30	BRACKET (Coupler)	1	18000770 [□]	18000771 ^x	18000771 ^x	18000772 ^x	□ – 8 POLE BRACKET
31	GROMMET	1	19000550	19000550	19000550	19000550	x – 6 POLE BRACKET
32	SCREW	1-2	–	12903010	12903010	10906015*	* 1 REQUIRED
33	SPADE CONNECTOR (Female)	5-7	18000810	18000811	18000811*	18000811*	* 5 REQUIRED
	SPADE CONNECTOR (Male)	5-7	18000820	18000821	18000821*	18000821*	* 5 REQUIRED
34	WASHER	2	47900003	47900003	47900003	10906015	

CANADIAN CURTISS-WRIGHT LIMITED

Two Cylinder Engines

COIL PLATE ASSY.



CCW 440 ALL MODELS
(DENSO IGNITION)

CCW 400 All Models

SERIAL NUMBER COMMENCING

2500000 3500000 4500000 5500000

KEY	DESCRIPTION	QTY.	PART NO.	PART NO.	PART NO.	PART NO.	REMARKS
	MAGNETO ASSY. (With Ring Gear)	1	25600000	25600000	25600001	55600000	
	MAGNETO ASSY. (Without Ring Gear)	1	25050000	25050000	25050001	36050000	
	– FLYWHEEL ASSY. (With Ring Gear)	1	25590000	25590000	25590001	55590000	
	– FLYWHEEL ASSY. (Without Ring Gear)	1	25520000	25520000	25520001	36520000	
2-27	COIL PLATE ASSY.	1	25510000	25510000	25510000	36510000	
2	– COIL PLATE	1	25000400	25000400	25000400	36001300	
3	– IGNITION GENERATING COIL	1	25000410	25000410	25000410	25000410	
4	– LIGHTING COIL	1	25000420	25000420	25000420	36001380	
5	– CONDENSER(NO. 1)	1	25000430	25000430	25000430	36001320	
6	– OIL FELT	2	25000440	25000440	25000440	25000440	
7	– POINT SET	2	25000450	25000450	25000450	25000450	
8	– CONDENSER(NO. 2)	1	25000460	25000460	25000460	36001330	
9	– CLAMP	1	25000470	25000470	25000470	36001340	
10	– GROMMET	1	19000550	19000550	19000550	19000550	
11	– SPADE CONNECTOR ASSY.		N.P.	N.P.	N.P.	N.P.	NOT PROCURABLE
	– SPADE CONNECTOR (Female)	5	18000811	18000811	18000811	18000811	
	SPADE CONNECTOR (Male)	5	18000821	18000821	18000821	18000821	
13	– BRACKET	1	18000771x	18000771x	18000772x	18000772x	x – 6 POLE BRACKET
14	– COUPLER	1	18000571x	18000571x	18000571x	18000571x	x – 6 POLE COUPLER
15	– WASHER 5 Ø	2	45900005	45900005	45900005	45900005	
16	– SPRING WASHER 5 Ø	6	47900005	47900005	47900005	47900005	
17	– SCREW	2	12905018	12905018	12905018	12905016	
18	– SCREW 5 x 32	2	18905032	18905032	18905032	18905032	
19	– SCREW 5 x 30	2	18905030	18905030	18905030	18905030	
20	– WASHER 4 Ø	2-4	45900004	45900004	45900004	45900004	
21	– SPRING WASHER 4 Ø	5	47900004	47900004	47900004	47900004	
22	– SCREW 4 x 10	2	18904010	18904010	18904010	18904010	
23	– SCREW 4 x 8	2	18904008	18904008	18904008	18904008	
24	– SCREW 4 x 7	1	18904007	18904007	18904007	18904007	
25	– WASHER 3 Ø	2	45900003	45900003	45900003	45900003	
26	– SPRING WASHER 3 Ø	2	47900003	47900003	47900003	47900003	
27	– SCREW	2	18903010	18903010	18903010	12903008	
28	SPRING WASHER	1-2	47900003	47900003	47900006*	47900006*	* 1 REQUIRED
29	BOLT	1-2	18903010	18903010	10906015*	10906015*	* 1 REQUIRED

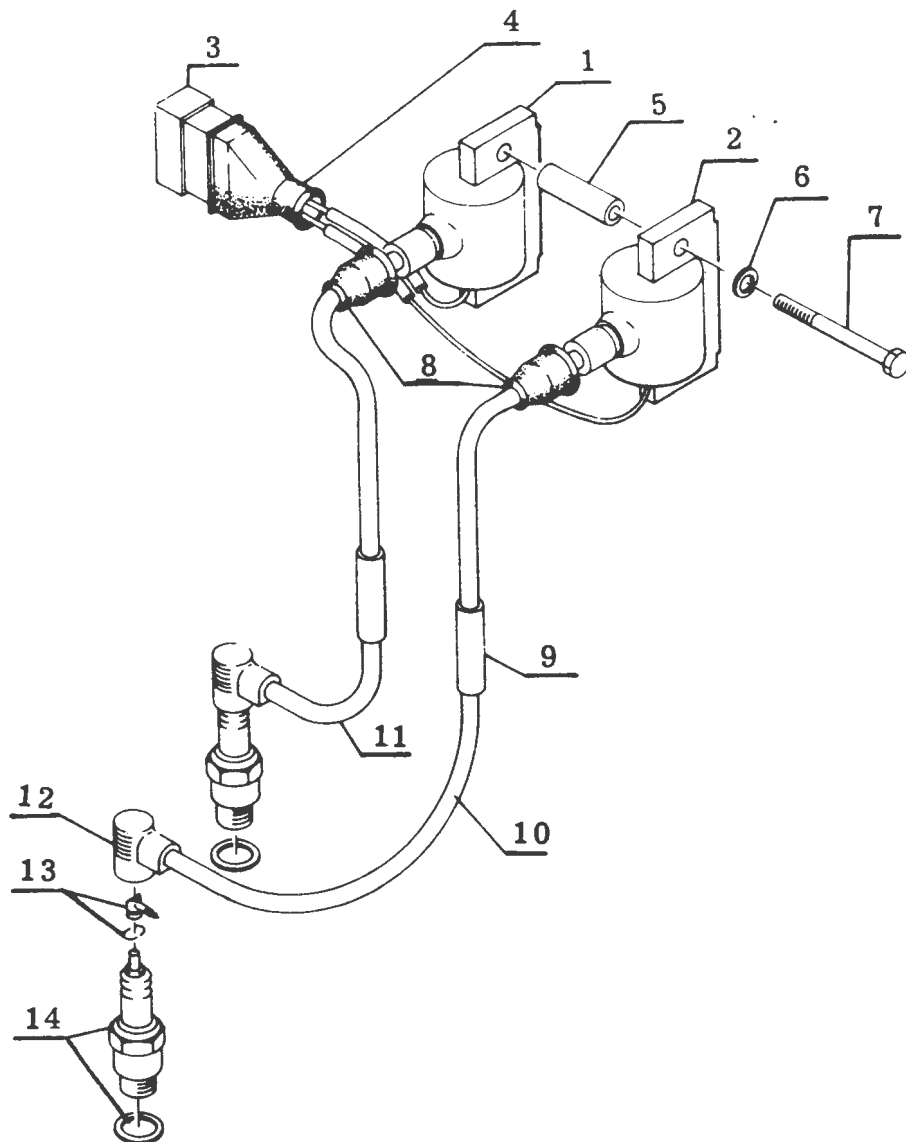
CANADIAN CURTISS-WRIGHT LIMITED

Two Cylinder Engines

IGNITION CABLES & HIGH TENSION COILS

SERIAL NUMBER
COMMENCING

- 19
- 29
- 39
- 49
- 18
- 28
- 38
- 48
- 25
- 35
- 45
- 55



CCW 340 Model S Only

SERIAL NUMBER COMMENCING

1900000 2900000 3900000 4900000

KEY	DESCRIPTION	QTY.	PART NO.	PART NO.	PART NO.*	PART NO.*	REMARKS
1	IGNITION COIL (Cyl. Near Fan)	1	19000500	19000500			
2	IGNITION COIL (Cyl. Near P.T.O.)	1	19000540	19000540			
3	COUPLER	1	19000350	18000581 ^x	□ - 8 POLE COUPLER		
4	RUBBER BUSHING	1	19000360	-	x - 6 POLE COUPLER		
5	SPACER (Coil)	2	18001090	18001090			
6	SPRING WASHER 6 Ø	2	47900006	47900006	NOTE * THIS IGNITION SYSTEM		HAS BEEN DISCONTINUED. FOR SERVICING CCW 340S SER. NO. 39 & 49 SEE IGNITION FOR CCW 340 E & G
7	BOLT 6 x 65	2	10906065	18001350			
8	RUBBER BUSHING	2	19000330	19000330			
9	PROTECTOR	2	18000750	18000750			
10	H.T. IGN. WIRE (Cyl. Near P.T.O.)	1	18000670	18000670			
11	H.T. IGN. WIRE (Cyl. Near Fan)	1	18000660	18000660			
12	SPARK PLUG CONNECTOR	2	11000431	11000431			
13	SPARK PLUG CONNECTOR TERMINAL	2	11000422	11000422			
14	SPARK PLUG	2	38000780	38000780			

CCW 340 Models E & G

SERIAL NUMBER COMMENCING

1900000 2900000 3900000 4900000

CCW 400 All Models

1800000 2800000 3800000 4800000

KEY	DESCRIPTION	QTY.	PART NO.	PART NO.	PART NO.	PART NO.	REMARKS
1	IGNITION COIL (Cyl. Near Fan)	1	18000650	18000650	18000650	18000650	□ - 8 POLE COUPLER x - 6 POLE COUPLER
2	IGNITION COIL (Cyl. Near P.T.O.)	1	18000800	18000800	18000800	18000800	
3	COUPLER	1	18000580	18000581 ^x	18000581 ^x	18000581 ^x	
4	RUBBER BUSHING	1	19000360	-	-	-	
5	SPACER (Coil)	2	18001090	18001090	18001090	18001090	
6	SPRING WASHER 6 Ø	2	47900006	47900006	47900006	47900006	
7	BOLT 6 x 65	2	10906065	18001350	18001350	18001350	
8	RUBBER BUSHING	2	18000540	18000540	18000540	18000540	
9	PROTECTOR	2	18000750	18000750	18000750	18000750	
10	H.T. IGN. WIRE (Cyl. Near P.T.O.)	1	18000670	18000670	18000670	18000670	
11	H.T. IGN. WIRE (Cyl. Near Fan)	1	18000660	18000660	18000660	18000660	
12	SPARK PLUG CONNECTOR	2	11000431	19000560	11000431	11000431	
13	SPARK PLUG CONNECTOR TERMINAL	2	11000422	11000422	11000422	11000422	
14	SPARK PLUG	2	38000780	38000780	38000780	38000780	

CCW 440 All Models

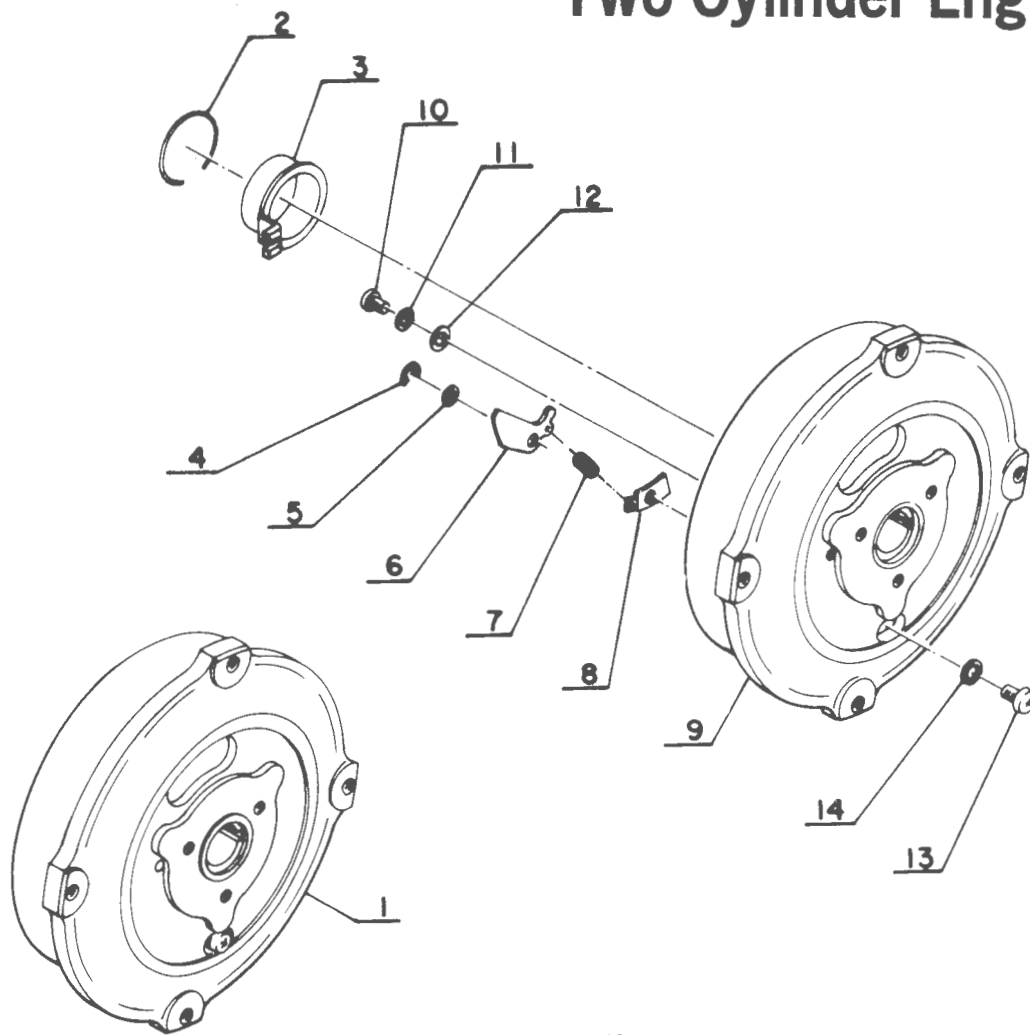
SERIAL NUMBER COMMENCING

2500000 3500000 4500000 5500000

KEY	DESCRIPTION	QTY.	PART NO.	PART NO.	PART NO.	PART NO.	REMARKS
1	IGNITION COIL (Cyl. Near Fan)	1	25000520	25000520	25000520	25000520	x - 6 POLE COUPLER
2	IGNITION COIL (Cyl. Near P.T.O.)	1	25000530	25000530	25000530	25000530	
3	COUPLER	1	18000581 ^x	18000581 ^x	18000581 ^x	18000581 ^x	
5	SPACER (Coil)	2	18001090	18001090	18001081	18001090	
6	SPRING WASHER 6 Ø	2	47900006	47900006	47900006	47900006	
7	BOLT 6 x 65	2	18001350	18001350	18001350	18001350	
8	RUBBER BUSHING	2	25000510	25000510	25000510	25000510	
9	PROTECTOR	2	18000750	18000750	18000750	18000750	
10	H.T. IGN. WIRE (Cyl. Near Fan)	1	25000490	25000490	25000490	25000490	
11	H.T. IGN. WIRE (Cyl. Near P.T.O.)	1	25000500	25000500	25000500	25000500	
12	SPARK PLUG CONNECTOR	2	11000431	11000431	11000431	11000431	
13	SPARK PLUG CONNECTOR TERMINAL	2	11000422	11000422	11000422	11000422	
14	SPARK PLUG	2	38000780	38000780	38000780	38000780	

CANADIAN CURTISS-WRIGHT LIMITED

Two Cylinder Engines



SERIAL NUMBER
COMMENCING
19.....
29.....

340S
(SAWAFUJI IGNITION - FLYWHEEL ASSEMBLY)

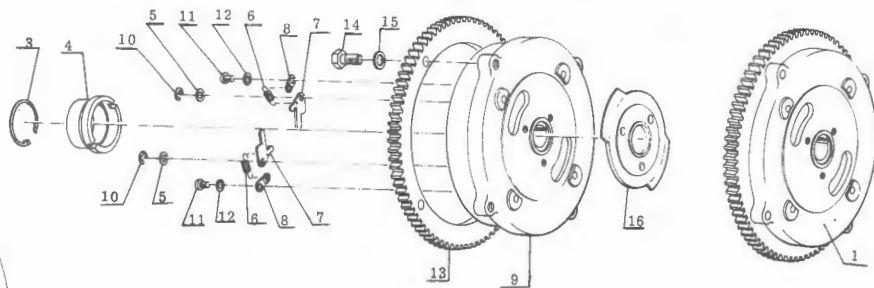
CCW 340 Model S Only

SERIAL NUMBER COMMENCING
1900000 2900000 3900000 4900000

KEY	DESCRIPTION	QTY.	PART NO.	PART NO.	PART NO.*	PART NO.*
1	(2-14) FLYWHEEL ASSY.	1	19660000	19660000	*THIS IGNITION SYSTEM HAS BEEN DISCONTINUED FOR SERVICING CCW 340S SER. NO. 39..... & 49..... SEE IGNITION FOR CCW 340 G & E	
2	- CAM STOP	1	19000390	19000390		
3	- CAM	1	19000400	19000400		
4	- SNAP RING	1	19000410	19000410		
5	- WASHER	1	19000420	19000420		
6	- GOVERNOR WEIGHT	1	19000430	19000430		
7	- GOVERNOR SPRING	1	19000440	19000440		
8	- LUG PLATE	1	19000450	19000450		
9	- FLYWHEEL	1	N.P.	N.P.		NOT PROCURABLE
10	- SCREW 4 x 8	1	18904008	18904008		
11	- SPRING WASHER 4 Ø	1	47900004	47900004		
12	- WASHER 4 Ø	1	45900004	45900004		
13	- SCREW 5 x 8	1	18905008	18905008		
14	- SPRING WASHER 5 Ø	1	47900005	47900005		

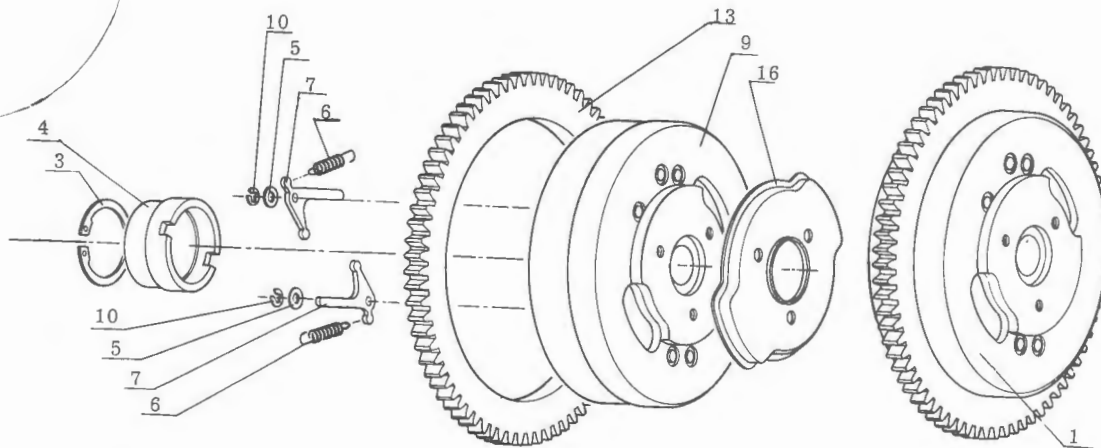
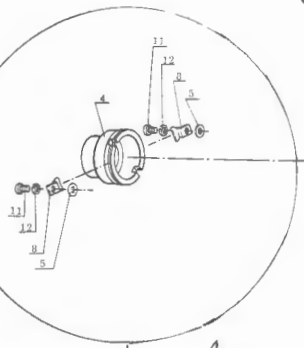
CANADIAN CURTISS-WRIGHT LIMITED

Two Cylinder Engines



SERIAL NUMBER
COMMENCING

19.....
29.....
18.....
28.....



SERIAL NUMBER
COMMENCING

39.....
38.....

SERIAL NUMBER
COMMENCING
49.....
48.....

CCW 340 E & G
CCW 400 ALL MODELS
(KOKUSAN IGNITION — FLYWHEEL ASSEMBLY)

CCW 340 Models E & G

SERIAL NUMBER COMMENCING

1900000 2900000 3900000 4900000

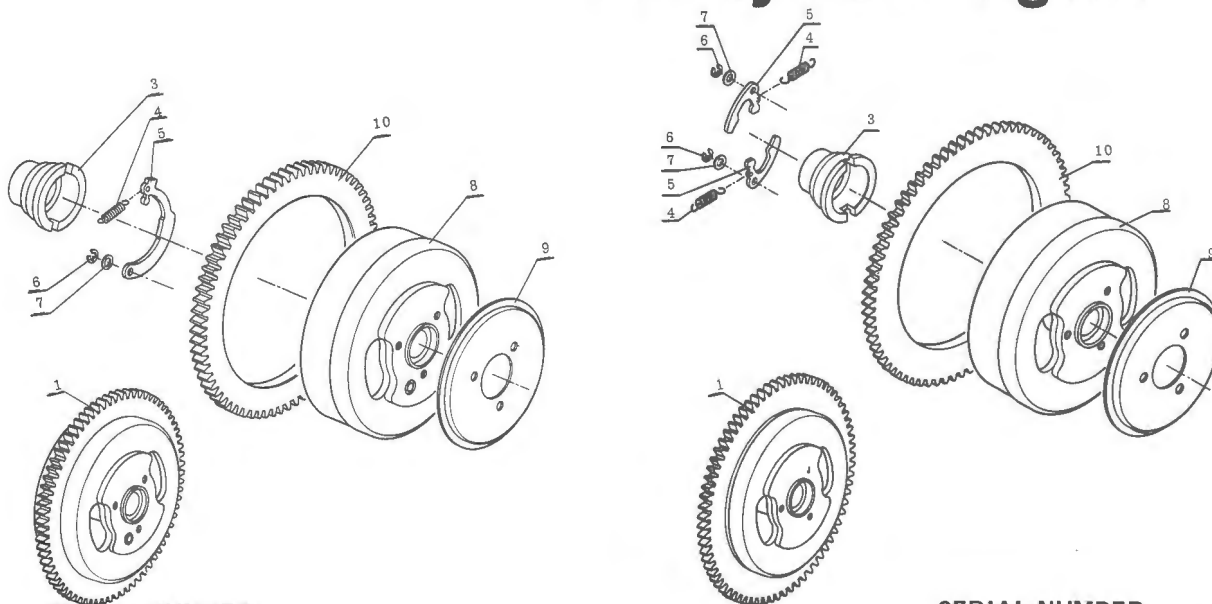
CCW 400 All Models

1800000 2800000 3800000 4800000

KEY	DESCRIPTION	QTY.	PART NO.	PART NO.	PART NO.	PART NO.	REMARKS
1	FLYWHEEL ASSY. (With Ring Gear)	1	18590000	18590000	18590001	18590002	NOT PROCURABLE
2	FLYWHEEL ASSY. (Without)	1	18520000	18520000	18520001	18520002	
3	— SNAP RING	1	18000600	18000600	18000600	—	
4	— CAM	1	18000610	18000610	18000611	18000612	
5	— WASHER	2	18000710	18000710	18000710	18000710	
6	— GOVERNOR SPRING	2	18000620	18000620	18000621	18000622	
7	— GOVERNOR WEIGHT	2	18000680	18000680	18000681	18000682	
8	— LUG PLATE	2	18000690	18000690	—	48000460	
9	— FLYWHEEL	1	N.P.	N.P.	N.P.	N.P.	
10	— "E"-RING	2	48900003	48900003	48900003	48900003	
11	— SCREW 4 x 5	2	18904005	18904005	—	18904005	
12	— SPRING WASHER 4 Ø	2	47900004	47900004	—	47900004	
13	— RING GEAR	1	18000630	18000630	18000631	49000630	
14	— BOLT	4	18000640	18000640	—	—	
15	— SPRING WASHER 8 Ø	4	47900008	47900008	—	—	
16	WINDOW PLATE	1	18000730	18000730	18000731	18000731	
(5)	SHIM WASHER	2-4	—	—	—	48000450	USE ONLY TO REMOVE EXCESSIVE CLEARANCE

CANADIAN CURTISS-WRIGHT LIMITED

Two Cylinder Engines



SERIAL NUMBER
COMMENCING
25
35
45

SERIAL NUMBER
COMMENCING
55

CCW 440 (DENSO IGNITION — FLYWHEEL ASSEMBLY)

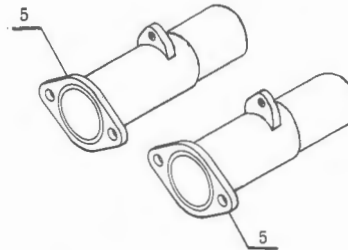
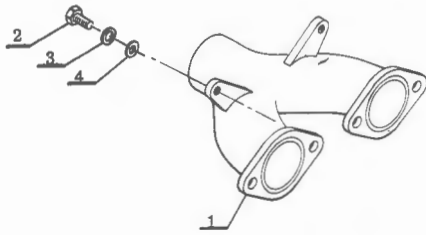
CCW 440 All Models

SERIAL NUMBER COMMENCING
2500000 3500000 4500000 5500000

KEY	DESCRIPTION	QTY.	PART NO.	PART NO.	PART NO.	PART NO.	REMARKS
1	FLYWHEEL ASSY. (With Ring Gear)	1	25590000	25590000	25590001	55590000	NOT PROCURABLE
	FLYWHEEL ASSY. (Without)	1	25520000	25520000	25520001	36520000	
3	— CAM	1	25000540	25000540	25000541	36001350	
4	— GOVERNOR SPRING	1	25000550	25000550	25000550	36001360	
5	— GOVERNOR WEIGHT	1	25000560	25000560	25000560	36001370	
6	— "E"-RING	1	25000570	25000570	25000570	25000570	
7	— WASHER	1	25000580	25000580	25000580	25000580	
8	— FLYWHEEL	1	N.P.	N.P.	N.P.	N.P.	
9	— WINDOW PLATE	1	25000600	25000600	25000600	25000600	
10	— RING GEAR	1	25000610	25000610	25000610	55000610	

CANADIAN CURTISS-WRIGHT LIMITED

Two Cylinder Engines



SERIAL NUMBER COMMENCING
19
29
39
49
18
28
38
48
25
35
45
55

EXHAUST MANIFOLD

CCW 340 All Models

SERIAL NUMBER COMMENCING
1900000 2900000 3900000 4900000

KEY	DESCRIPTION	QTY.	PART NO.	PART NO.	PART NO.	PART NO.	REMARKS
1	EXHAUST MANIFOLD	1	19000230	19000230	38000430	39000430	
2	BOLT 6 x 10	2	10906010	10906010	10906010	10906010	
3	SPRING WASHER 6 Ø	2	47900006	47900006	47900006	47900006	
4	WASHER 6 Ø	2	45900006	45900006	45900006	45900006	
5	EXHAUST PIPE 2 INCH (Ø) x 90° ELBOW	2	18000380 43053020	18000380 43053020	18000380 43053020	18000380 43053020	

CCW 400 All Models

SERIAL NUMBER COMMENCING
1800000 2800000 3800000 4800000

KEY	DESCRIPTION	QTY.	PART NO.	PART NO.	PART NO.	PART NO.	REMARKS
1	EXHAUST MANIFOLD	1	18000430	18000430	38000430	39000430	
2	BOLT 6 x 10	2	10906010	10906010	10906010	10906010	
3	SPRING WASHER 6 Ø	2	47900006	47900006	47900006	47900006	
4	WASHER 6 Ø	2	45900006	45900006	45900006	45900006	
5	EXHAUST PIPE 2 INCH (Ø) x 90° ELBOW	2	18000380 43053020	18000380 43053020	18000380 43053020	18000380 43053020	

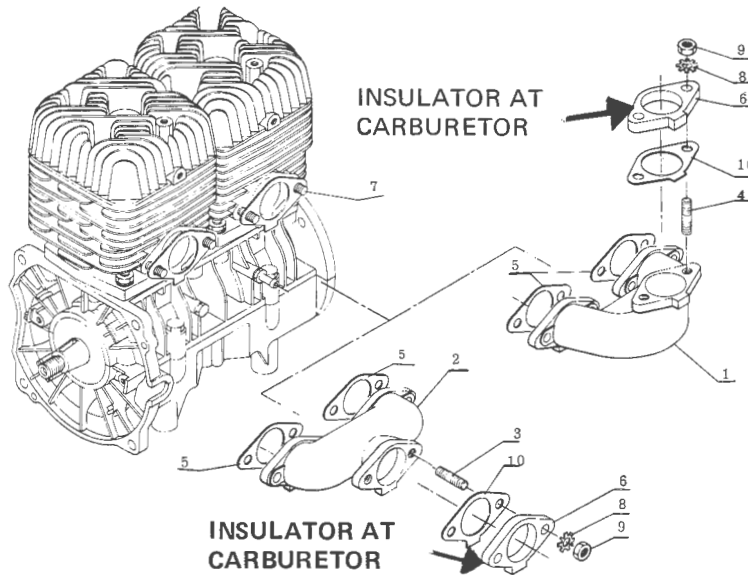
CCW 440 All Models

SERIAL NUMBER COMMENCING
2500000 3500000 4500000 5500000

KEY	DESCRIPTION	QTY.	PART NO.	PART NO.	PART NO.	PART NO.	REMARKS
1	EXHAUST MANIFOLD	1	39000430	39000430	39000430	39000430	
2	BOLT 6 x 10	2	10906010	10906010	10906010	—	NOT REQUIRED
3	SPRING WASHER 6 Ø	2	47900006	47900006	47900006	—	NOT REQUIRED
4	WASHER 6 Ø	2	45900006	45900006	45900006	—	NOT REQUIRED
5	EXHAUST PIPE 2 INCH (Ø) x 90° ELBOW	2	18000380 43053020	18000380 43053020	18000380 43053020	18000380 43053020	

CANADIAN CURTISS-WRIGHT LIMITED

Two Cylinder Engines



SERIAL NUMBER COMMENCING

19

29

39

49

18

28

38

48

25

35

45

55

INTAKE MANIFOLD

CCW 340
CCW 400

SERIAL NUMBER COMMENCING
2900000 3900000
2800000

WITH INSULATOR AT CARB.

KEY	DESCRIPTION	QTY.	PART NO.	PART NO.	PART NO.	PART NO.	REMARKS
1	INTAKE MANIFOLD (Vert.)	1	18000400	18000400	—	—	} HR SIZE
2	INTAKE MANIFOLD (Horiz.)	1	18000390	18000390	—	—	
3	STUD BOLT (Horiz.)	2	18000300	18000300	—	—	
4	STUD BOLT (Vert.)	2	18000300	18000300	—	—	
5	GASKET (Manifold)	2	18000410	18000410	—	—	
6	INSULATOR	1	18000420	18000420	—	—	
7	STUD BOLT	4	11000330	11000330	—	—	
8	SPRING WASHER (T.W.B. 10)	2	12001520	12001520	—	—	
9	NUT (3N10 Ø)	2	39900008	39900008	—	—	
10	GASKET	1	18000410	18000410	—	—	

CCW 340
CCW 400
CCW 440

SERIAL NUMBER COMMENCING

4900000

3800000 4800000

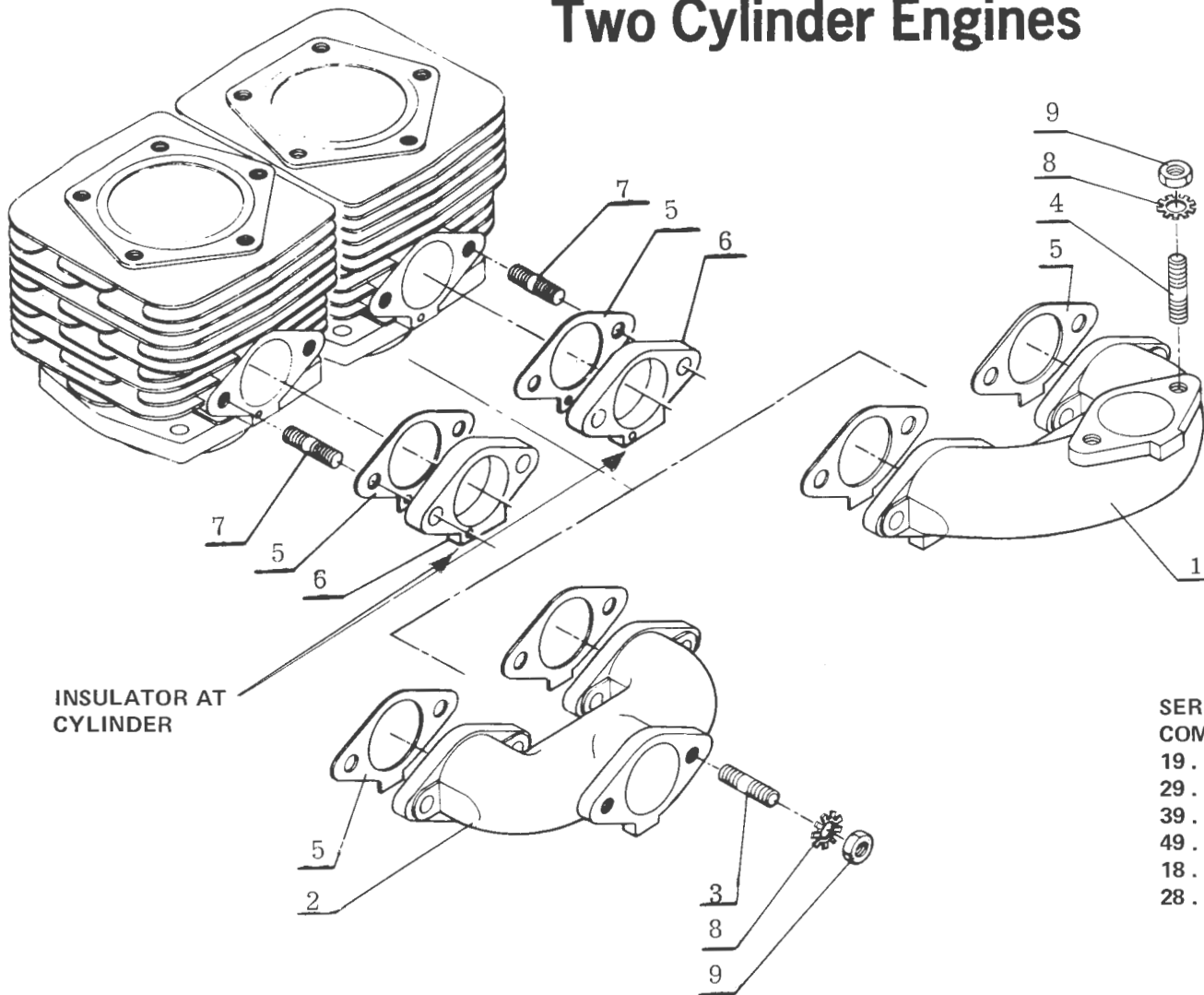
2500000 3500000 4500000 5500000

WITH INSULATOR AT CARB.

KEY	DESCRIPTION	QTY.	PART NO.	PART NO.	PART NO.	PART NO.	REMARKS
1	INTAKE MANIFOLD (Vert.)	1	*	*	*	*	} *NOTE SPECIAL ORDER ONLY
2	INTAKE MANIFOLD (Horiz.)	1	25000240	35000240	45000240	45000240	
3	STUD BOLT (Horiz.)	2	25000180	25000180	25000180	25000180	
4	STUD BOLT (Vert.)	2	—	—	—	—	
5	GASKET (Manifold)	2	18000410	18000410	18000410	18000411	
6	INSULATOR	1	25000260	25000260	25000260	25000260	} HD SIZE
7	STUD BOLT	4	11000330	11000330	11000330	11000330	
8	SPRING WASHER (T.W.B.8)	2	25000280	25000280	25000280	25000280	
9	NUT (3N8 Ø)	2	39900010	39900010	39900010	38001930	
10	GASKET	1	25000270	25000270	25000270	25000271	

CANADIAN CURTISS-WRIGHT LIMITED

Two Cylinder Engines



SERIAL NUMBER COMMENCING
 19
 29
 39
 49
 18
 28

CCW 340
CCW 400

SERIAL NUMBER COMMENCING
 1900000 2900000 3900000 4900000
 1800000 2800000

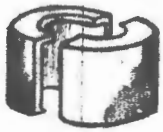
WITH INSULATOR AT CYLINDER

KEY	DESCRIPTION	QTY.	PART NO.	PART NO.	PART NO.	PART NO.	REMARKS
1	INTAKE MANIFOLD (Vert.)	1	18000400	18000400	18000400	18000400	} HR SIZE
2	INTAKE MANIFOLD (Horiz.)	1	18000390	18000390	18000390	—	
3	STUD BOLT (Horiz.)	2	10001111	10001111	10001111	10001111	
4	STUD BOLT (Vert.)	2	10001111	10001111	10001111	10001111	
5	GASKET (Manifold)	4	18000410	18000410	18000410	18000411	
6	INSULATOR	2	18000420	18000420	18000420	18000420	
7	STUD BOLT	4	12000380	12000380	12000380	12000380	
8	SPRING WASHER (T.W.B.8)	2	12001550	12001550	12001550	12001550	
9	NUT (3N8 Ø)	2	39900008	39900008	39900008	38001910	

CANADIAN CURTISS-WRIGHT LIMITED

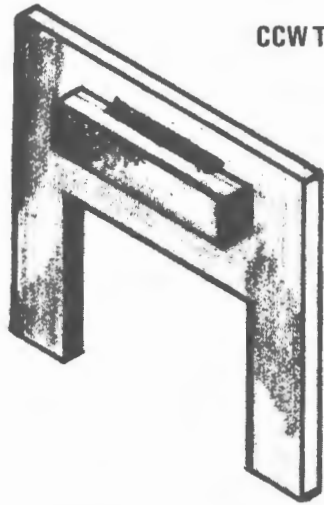
Two Cylinder Engines

CCW TOOL LIST



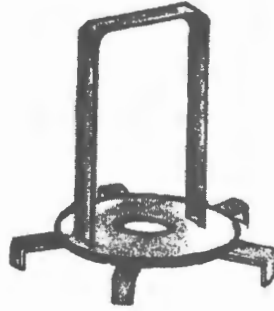
43-0791-70
BEARING PULLER

6



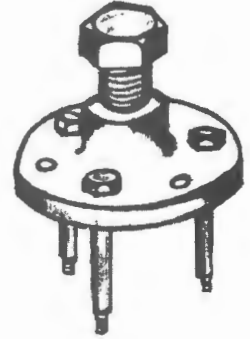
43-0798-40
FLYWHEEL LOCK

9



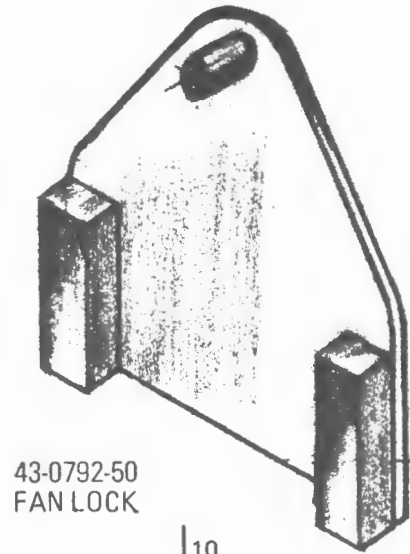
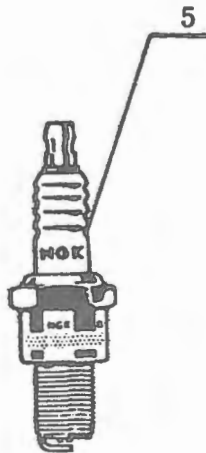
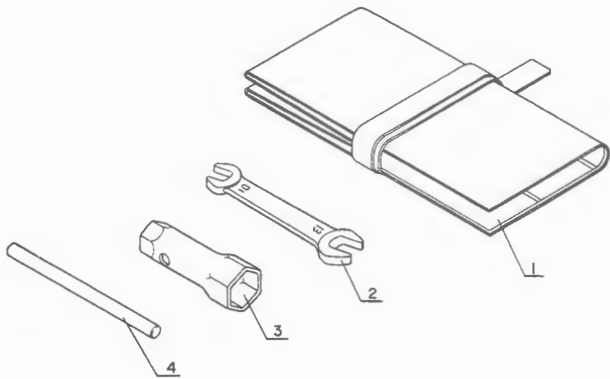
43-0797-60
REWIND SPRING TOOL

7



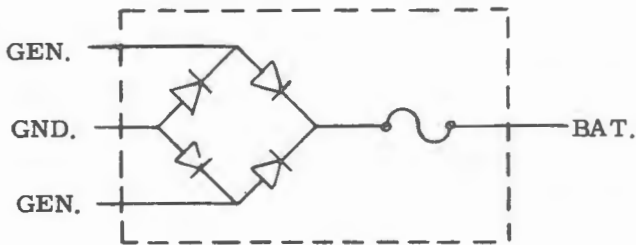
43-0790-90
FLYWHEEL PULLER

8

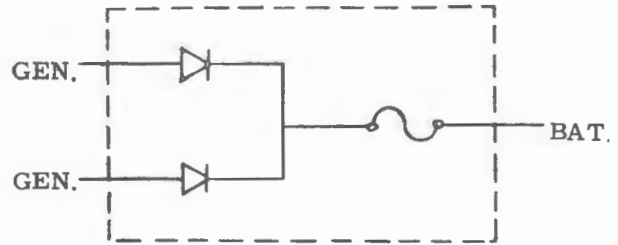


43-0792-50
FAN LOCK

10



11



12

CCW 340 All Models
CCW 400 All Models
CCW 440 All Models

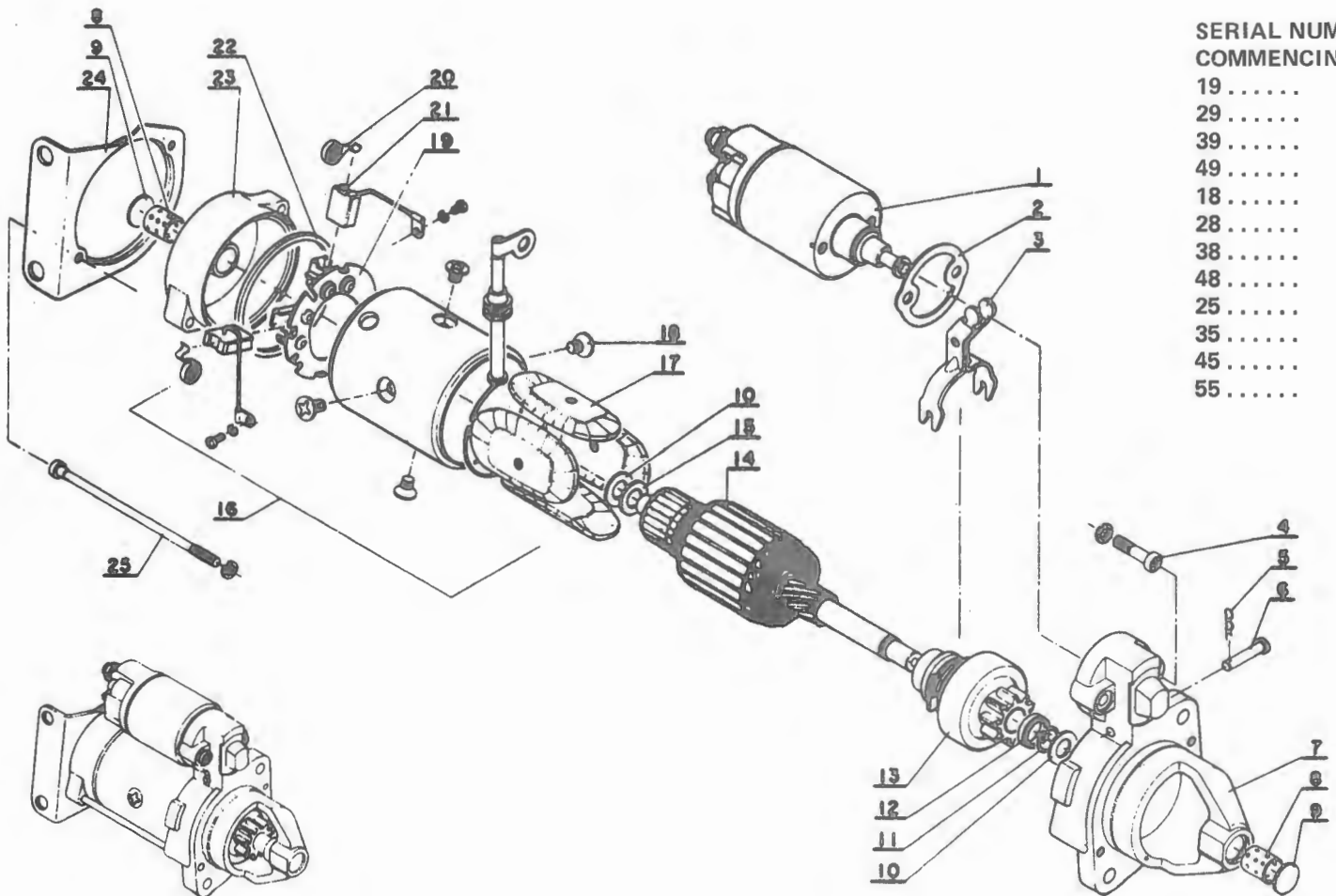
KEY	DESCRIPTION	QTY.	PART NO.	REMARKS
1-4	TOOL KIT	1	18610000	AVAILABLE ONLY IN TOOL KIT.
1	- BAG	1	-	
2	- SPANNER 10 x 13 MM	1	-	
3	- TUBE SPANNER 13 x 21 MM	1	-	
4	- HANDLE ROD	1	-	
5	SPARK PLUG	2	38000780	
6	BEARING PULLER	1	43079170	
7	SPRING REWIND TOOL	1	43079760	
8	FLYWHEEL PULLER	1	43079090	
9	FLYWHEEL LOCK	1	43079840	
10	FAN LOCK	1	43079250	
11	RECTIFIER	1	43071000	FOR 75 WT. END TAP LIGHTING COIL
11	RECTIFIER	1	43071270	FOR 120 WT. END TAP LIGHTING COIL
12	RECTIFIER	1	43071510	FOR CENTRE TAP LIGHTING COIL
	RESISTOR 7 Ω	1	43071940	FOR USE WITH 35 WT. HEADLAMP ON 75 WT. LIGHTING COIL
	SERVICE MANUAL	1	43070620	

CANADIAN CURTISS-WRIGHT LIMITED

Two Cylinder Engines

ELECTRIC STARTER MOTOR

NIPPON DENSO SOLENOID ENGAGEMENT



SERIAL NUMBER
COMMENCING

- 19
- 29
- 39
- 49
- 18
- 28
- 38
- 48
- 25
- 35
- 45
- 55

CCW 340 All Models
CCW 400 All Models
CCW 440 All Models

KEY	DESCRIPTION	QTY.	PART NO.	REMARKS
1-25	STARTER ASSY.	1	18001100*	*NOTE, ALL MODELS EXCEPT SER. NO. 55 SER. NO. 55 STARTER ASSY. PART NO. 18001101
1	— SOLENOID SW. COMPLETE	1	18001600*	
2	— PACKING	1	18001610*	
3	— PINION DRIVE LEVER	1	18001620*	
4	— SOLENOID SW. SET SCREW	2	18001630*	
5	— SNAP PIN	1	18001640*	
6	— DRIVE LEVER SET PIN	1	18001650*	
7	— OUTBOARD BEARING BRACKET	1	18750000*	
8	— BEARING BUSHING	2	18001670*	
9	— BEARING COVER	2	18001680*	
10	— WASHER #1	2	18001690*	
11	— SNAP RING	1	18001700*	
12	— CLUTCH STOP COLLAR	1	18001710*	
13	— OVER-RUNNING CLUTCH	1	18001720*	
14	— ARMATURE, COMPLETE	1	18001730*	
15	— WASHER #2	2	18001740*	
16	— YOKE, COMPLETE	1	18760000*	
17	— FIELD COILS	1	18001750*	
18	— POLE CORE SCREW	4	18001760*	
19	— BRUSH HOLDER PLATE	1	18770000*	
20	— BRUSH SPRING	2	18001780*	
21	— BRUSH	2	18001790*	
22	— "O" RING	1	18001800*	
23	— COMM. SIDE END FRAME	1	18780000*	
24	— END SUPPORT BRACKET	1	18001820*	
25	— THROUGH BOLT	2	18001830*	
26	— SPRING WASHER 5 Ø	2	47900005	
27	— SCREW 3 x 6	2	18903006	
28	— SPRING WASHER 3 Ø	2	47900003	
	BOLT 8 x 20 (STARTER SUPPORT)	2	18001330	
	SPRING WASHER 8 Ø	2	47900008	

