

# **ILLUSTRATED PARTS CATALOGUE**

**FOR**

**CCW TWO CYLINDER, TWO STROKE,  
AIR COOLED ENGINES**

(Revised May 1972)

<b>MODEL</b>	<b>CCW 400</b>	<b>CCW 440</b>
	(REED VALVE)	(REED VALVE)

<b>SERIAL NUMBER COMMENCING</b>	<b>5200000</b>	<b>2400000</b>
-------------------------------------	----------------	----------------



***CANADIAN CURTISS-WRIGHT, LIMITED***

6503 NORTHAM DRIVE, MISSISSAUGA, ONTARIO

## **EXPLANATION OF SERIAL NUMBER REFERENCE**

All engines in this Parts Book are referenced by Model Number and Serial Number. This is done to facilitate location of the correct Part Numbers since the year of manufacture is not always known and modifications are not performed annually. Serial Numbers are seven digits in length and the number plate is located on the fan cover of the engine.

## **WHEN ORDERING PARTS:**

When ordering parts please call up the appropriate Part Number, the name of the item and the quantity desired. Also, please specify engine Model Number and Serial Number.

**NOTE: Failure to quote the Serial Number may result in delay and supply of incorrect parts.**

## **SPECIAL TOOLING FOR C.C.W. ENGINES:**

This Part's List contains a selection of special tools for C.C.W. engines. These are available and may be ordered by the Part Numbers provided on Page 24. The uses of these tools are fully described in the current service manuals on C.C.W. engines.

**Important: Where mentioned, the following suffixes mean**

**S — Manual Start**

**G — Ring Gear Equipped**

**E — Electric Start**

# INDEX

	Page		Page
CRANKCASE .....	6-7	HIGH TENSION COILS & LEADS .....	18
CRANKSHAFT .....	5	NUMERICAL INDEX .....	3-4
CYLINDERS & HEADS .....	8-9	ORDERING PARTS – INSTRUCTIONS .....	2
ENGINE COVER .....	13	PISTONS .....	5
EXHAUST MANIFOLD .....	20-21	REED VALVE .....	12
FAN BELT .....	10-11	RECOIL STARTER .....	14
FAN GUARD .....	15	RECTIFIER & RESISTER .....	24
FAN HOUSING .....	10-11	SERIAL NUMBER REFERENCE, EXPLANATION .....	2
GASKET KIT .....	8-9	SPECIAL TOOLING .....	2
INTAKE MANIFOLD .....	20-21	STARTER MOTOR .....	22-23
MAGNETO – COIL ASSEMBLY – DENSO ..	16-17	TOOLS & ACCESSORIES .....	24
FLYWHEEL .....	19		

## NUMERICAL INDEX

FOR MODEL CCW 400  
CCW 440

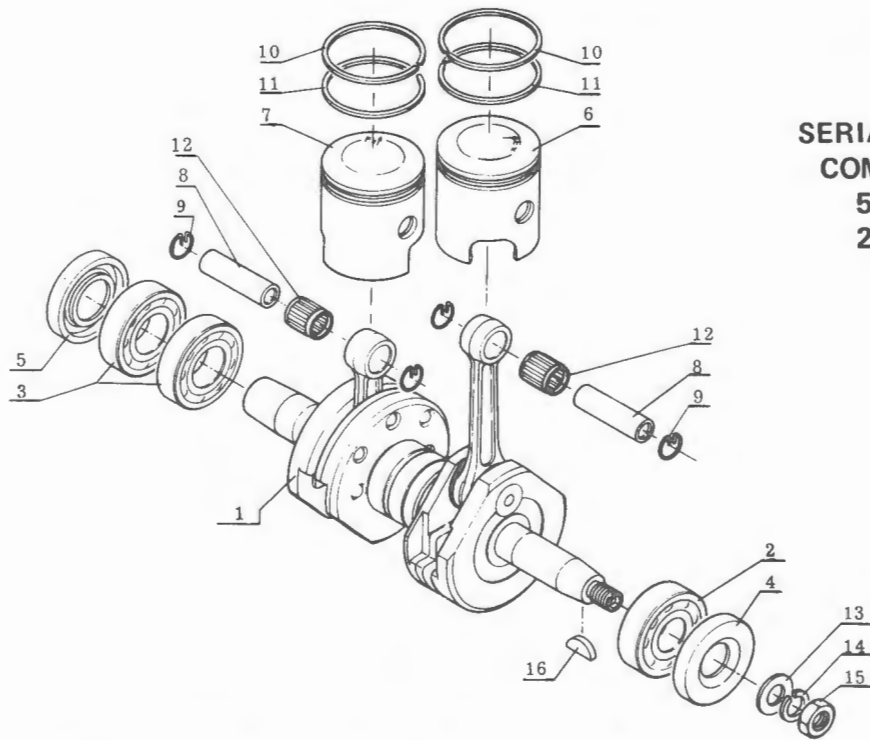
Part Number	Page	Key	Part Number	Page	Key	Part Number	Page	Key
10000150 .....	7	8	18000080 .....	5	4	18001750 .....	23	17
10000821 .....	14	2	18000140 .....	7	9	18001760 .....	23	18
10000830 .....	14	3	18000160 .....	7	30	18001780 .....	23	20
10000840 .....	14	4	18000190 .....	7	13	18001790 .....	23	21
10000890 .....	14	5	18000571 .....	17	14	18001800 .....	23	22
10000900 .....	14	6	18000772 .....	17	13	18001830 .....	23	25
10000910 .....	14	7	18000811 .....	17	12	18100002 .....	14	2-17
10000930 .....	14	14	18000821 .....	17	–	18110001 .....	14	10
10000940 .....	14	15	18000970 .....	11	12	18760000 .....	23	16
10906012 .....	13	6	18001083 .....	18	16	18770000 .....	23	19
	15	5	18001090 .....	18	11	18780000 .....	23	23
	18	18	18001121 .....	15	6	18903006 .....	12	5
10906015 .....	17	29		18	17		23	27
10906022 .....	14	18	18001200 .....	14	13	18904007 .....	17	24
	18	15	18001300 .....	7	24	18904008 .....	17	23
10908010 .....	7	14	18001310 .....	7	23	18904010 .....	17	22
			18001330 .....	7	31	18905030 .....	17	19
11000190 .....	7	26		23	–	18905032 .....	17	18
11000330 .....	9	3	18001350 .....	18	12			
11000422 .....	18	7	18001600 .....	23	1	19000550 .....	17	10
11000431 .....	18	6	18001610 .....	23	2			
11000470 .....	5	15	18001620 .....	23	3	24000400 .....	7	7
			18001630 .....	23	4	24000440 .....	7	12
12001030 .....	14	8	18001640 .....	23	5	24000460 .....	7	11
12001040 .....	14	9	18001650 .....	23	6	24000480 .....	7	22
12001071 .....	14	12	18001670 .....	23	8	24000670 .....	9	16
12903008 .....	17	27	18001680 .....	23	9	24001010 .....	21	1
12905016 .....	17	17	18001690 .....	23	10	24001150 .....	9	–
			18001700 .....	23	11		12	7
13000330 .....	7	15	18001710 .....	23	12	24001160 .....	12	1
	9	–	18001730 .....	23	14	24001170 .....	12	2
13000340 .....	7	16	18001740 .....	23	15	24001180 .....	12	3

# NUMERICAL INDEX Cont.

Part Number	Page	Key	Part Number	Page	Key	Part Number	Page	Key
24001190	12	4	36080002	13	2	47900012	9	9
24001200	9	—	36200000	13	5	47900014	5	14
	12	8	36500000	5	1-5			
24002101	13	1	36510000	17	1	50900047	11	4
24004050	11	20	36520000	17	—			
24550000	9	—		19	—	52000751	9	5
24560000	9	1,3-4	36540000	5	10-11	52000761	9	6
24580000	9	2-4	36590000	17	—	52550000	9	—
24800001	7	1-2		19	1	52560000	9	1,3-4
24850000	12	—	36600000	17	—	52580000	9	2-4
			36640000	5	7-11			
25000180	21	2	36820000	5	6,8-11	55001010	11	15
25000260	21	4				55001050	11	8
25000271	21	3	37000600	5	7			
25000280	21	8	37000610	5	6	56900008	9	8
25000410	17	3	37000620	5	8			
25000440	17	6	37000640	5	10	64906305	5	2
25000450	17	7	37000650	5	11	64936206	5	3
25000490	18	4	37000740	9	15			
25000500	18	5	37540000	5	10-11			
25000510	18	3	37640000	5	7-11			
25000520	18	1	37820000	5	6,8-11			
25000530	18	2						
25000570	19	5	38000780	18	9			
25000580	19	6		24	11			
25000600	19	8	38001370	14	21			
			38001440	5	16			
30610000	24	1-5	38001900	7	28			
				9	14			
35000970	11	16	38001930	21	9			
35070000	13	4						
			39900008	14	17			
36000180	5	12						
36000370	7	10	43071271	24	6			
36000410	7	6	43079090	24	8			
36000600	5	7	43079170	24	9			
36000610	5	6	43079760	24	7			
36000620	5	8	43079840	24	10			
36000631	5	9						
36000640	5	10	45000080	5	5			
36000650	5	11	45900003	17	25			
36000740	9	15	45900004	17	20			
36000753	9	5	45900005	17	15			
36000761	9	6	45900006	7	17			
36000770	9	4		9	11			
36000780	9	12		13	8			
36001100	9	17		14	20			
36001111	21	1		15	2			
36001300	17	2		18	14			
36001310	19	9		21	5			
36001320	17	5	45900008	7	20			
13001330	17	8		9	13			
36001340	17	9		11	24			
36001350	19	2	45900012	11	10			
36001360	19	3	45900014	5	13			
36001370	19	4						
36001380	17	4	47900003	12	6			
36001420	7	19		17	26			
36002210	14	1		23	28			
36002230	11	22	47900004	17	21			
36002240	11	7	47900005	17	16			
36002250	11	1		23	26			
36002260	11	2	47900006	7	18			
36002270	11	3		13	7			
36002291	11	5		14	19			
36002301	11	8		15	3			
36002310	11	9		17	28			
36002330	11	6		18	13			
36002350	11	23		21	6			
36002402	15	1	47900008	7	21			
36002410	15	7		9	9			
36004020	9	7		11	21			
36050000	17	—		14	16			
36060003	11	13		23	—			

# CANADIAN CURTISS-WRIGHT LIMITED

## Two Cylinder Engines



SERIAL NUMBER  
COMMENCING  
52.....  
24.....

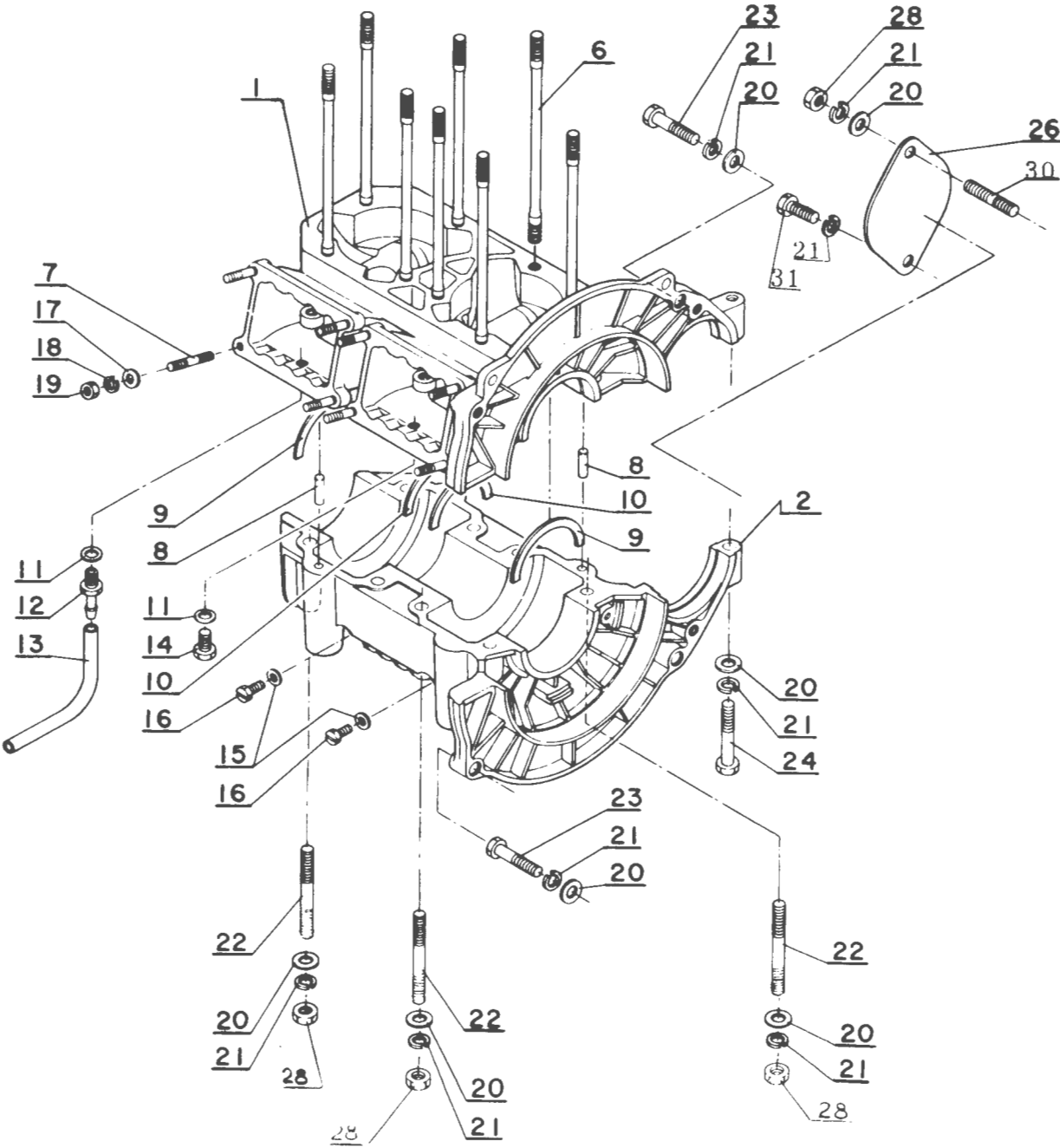
### PISTON AND CRANKSHAFT

KEY	DESCRIPTION	CCW 400			CCW 440		
		QTY.	PART NO.	REMARKS	QTY.	PART NO.	REMARKS
			SERIAL NUMBER COMMENCING 520000			SERIAL NUMBER COMMENCING 240000	
1-5	CRANKSHAFT ASSY.	1	36500000		1	36500000	
2	- BALL BEARING	1	64906305		1	64906305	
3	- BALL BEARING	2	64936206		2	64936206	
4	- OIL SEAL	1	18000080		1	18000080	
5	- OIL SEAL (P.T.O. END)	1	45000080		1	45000080	
6,8-11	PISTON ASSY. (Fan End)	1	37820000		1	36820000	
7-11	PISTON ASSY. (P.T.O. End)	1	37640000		1	36640000	
6	- PISTON (Fan End)	1	37000610		1	36000610	
7	- PISTON (P.T.O. End)	1	37000600		1	36000600	
8	- PISTON PIN	1	37000620		1	36000620	
9	- CIRCLIP	4	36000631		4	36000631	
10-11	- PISTON RING KIT	2	37540000*	*Each Kit contains rings for only one piston	2	36540000*	*Each Kit contains rings for only one piston
10	- PISTON RING #1	2	37000640		2	36000640	
11	- PISTON RING #2	2	37000650		2	36000650	
12	NEEDLE BEARING	2	36000180		2	36000180	
13	WASHER 14 $\phi$	1	45900014		1	45900014	
14	SPRING WASHER 14 $\phi$	1	47900014		1	47900014	
15	NUT	1	11000470		1	11000470	
16	WOODRUFF KEY	1	38001440		1	38001440	

# CANADIAN CURTISS-WRIGHT LIMITED

## Two Cylinder Engines

SERIAL NUMBER  
COMMENCING  
52.....  
24.....



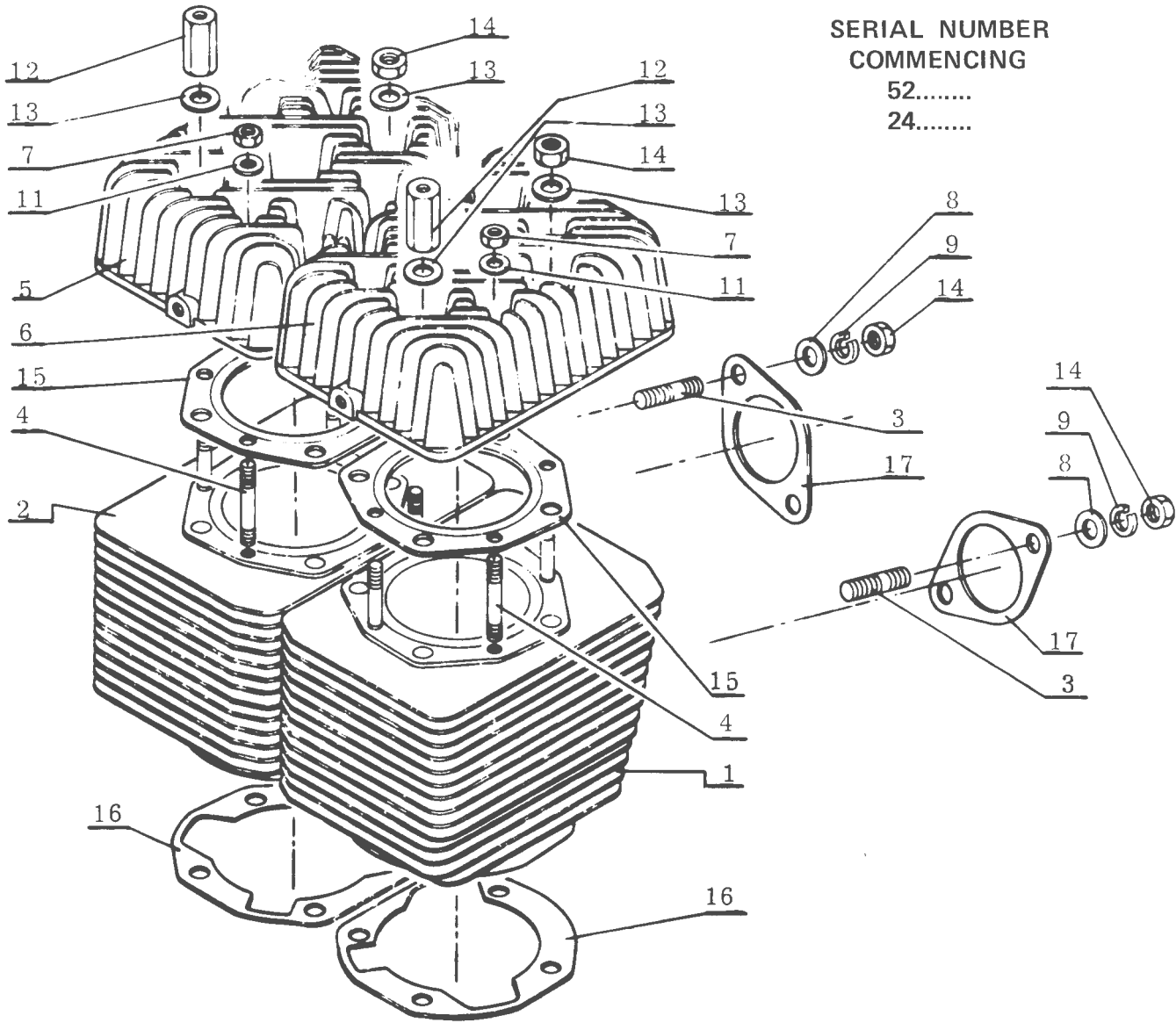
### CRANKCASE

# CRANKCASE

		CCW 400 SERIAL NUMBER COMMENCING 5200000			CCW 440 SERIAL NUMBER COMMENCING 2400000		
KEY	DESCRIPTION	QTY.	PART NO.	REMARKS	QTY.	PART NO.	REMARKS
1-2	CRANKCASE ASSY.	1	24800001*	*Supplied only as a matched set	1	24800001*	*Supplied only as a matched set
6	– STUD BOLT	8	36000410		8	36000410	
7	– STUD BOLT	8	24000400		8	24000400	
8	– DOWEL PIN	2	10000150		2	10000150	
9	CIRCLIP (Outer)	2	18000140		2	18000140	
10	CIRCLIP (Inner)	2	36000370		2	36000370	
11	GASKET	2	24000460		2	24000460	
12	CONNECTOR – HOSE	1	24000440		1	24000440	
13	HOSE – CARB-PUMP	1	18000190		1	18000190	
14	BOLT 8x10	1	10908010		1	10908010	
15	GASKET	2	13000330		2	13000330	
16	DRAIN BOLT	2	13000340		2	13000340	
17	WASHER 6 $\phi$	8	45900006		8	45900006	
18	SPRING WASHER 6 $\phi$	8	47900006		8	47900006	
19	NUT 6 $\phi$	8	36001420		8	36001420	
20	WASHER 8 $\phi$	12-14	45900008		12-14	45900008	
21	SPRING WASHER 8 $\phi$	14	47900008		14	47900008	
22	STUD BOLT	8	24000480		8	24000480	
23	BOLT 8 x 35	3	18001310		3	18001310	
24	BOLT 8 x 45	1	18001300		1	18001300	
26	COVER PLATE	1	11000190	– Model S. & G.	1	11000190	– Model S. & G.
28	NUT 8 $\phi$	10	38001900		10	38001900	
30	STUD BOLT	2	18000160	– Model E. & G.	2	18000160	– Model E. & G.
31	BOLT 8 x 20	2	18001330	– Model S.	2	18001330	– Model S.

# CANADIAN CURTISS-WRIGHT LIMITED

## Two Cylinder Engines



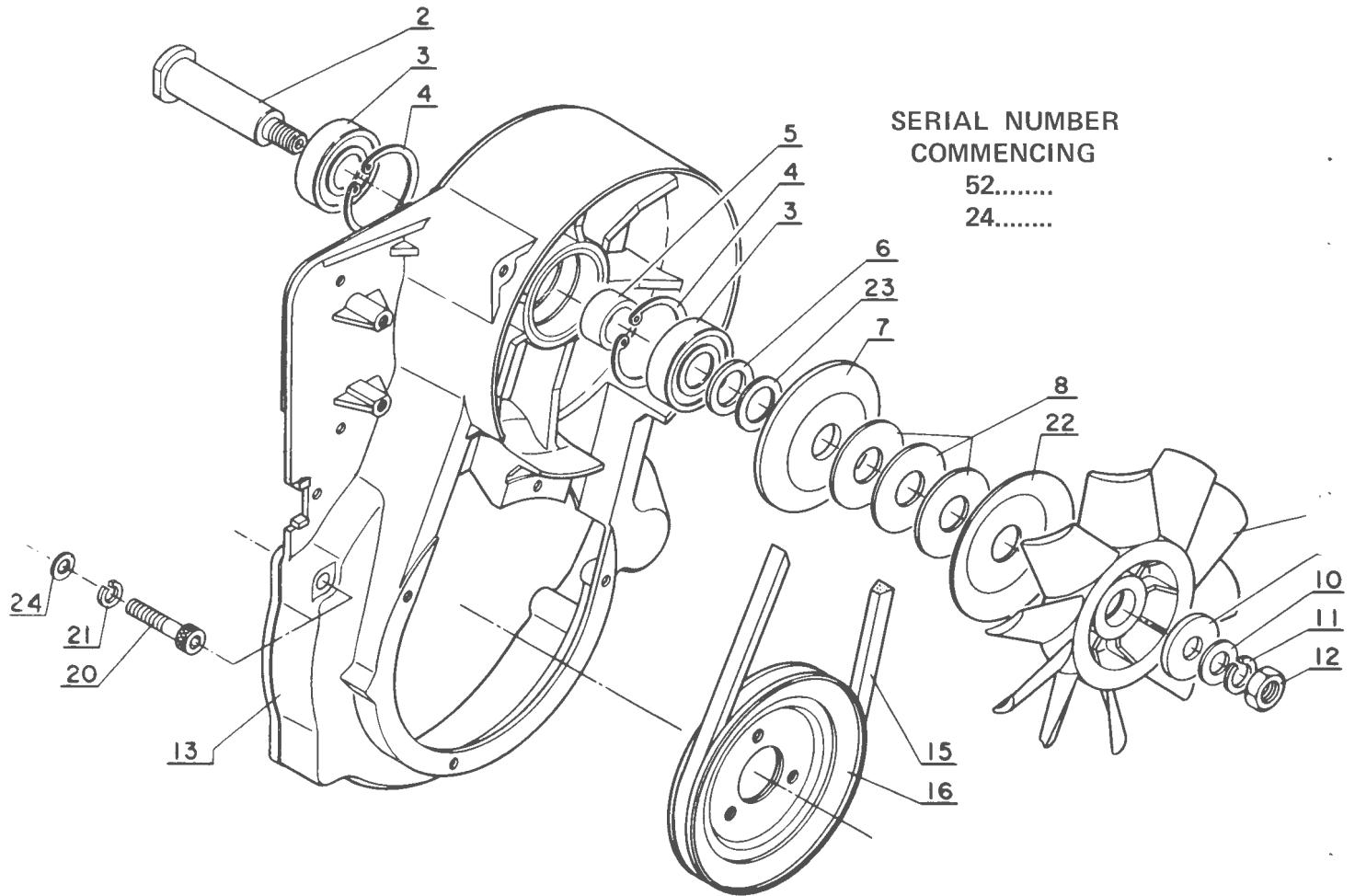
### CYLINDER ASSEMBLY

# CYLINDER ASSEMBLY

		<b>CCW 400</b>			<b>CCW 440</b>		
		SERIAL NUMBER COMMENCING 5200000			SERIAL NUMBER COMMENCING 2400000		
KEY	DESCRIPTION	QTY.	PART NO.	REMARKS	QTY.	PART NO.	REMARKS
1,3-4	CYLINDER ASSY. (Fan End)	1	52560000		1	24560000	
2-4	CYLINDER ASSY. (P.T.O. End)	1	52580000		1	24580000	
3	- STUD BOLT (Exhaust)	4	11000330		4	11000330	
4	- STUD BOLT	8	36000770		8	36000770	
5	CYLINDER HEAD (P.T.O. End)	1	52000751		1	36000753	
6	CYLINDER HEAD (Fan End)	1	52000761		1	36000761	
7	NUT 6 $\phi$	8	36004020		8	36004020	
8	WASHER (8x16x1'.2)	4	56900008		4	56900008	
9	SPRING WASHER 8 $\phi$	4	47900008		4	47900008	
11	WASHER 6 $\phi$	8	45900006		8	45900006	
12	NUT	2	36000780		2	36000780	
13	WASHER 8 $\phi$	8	45900008		8	45900008	
14	NUT 8 $\phi$	10	38001900		10	38001900	
	<b>GASKET KIT</b>	2	52550000*	NOTE* Two gasket kits are required to replace all gaskets in engine, each kit will gasket only one cylinder	2	24550000*	NOTE* Two gasket kits are required to replace all gaskets in engine, each kit will gasket only one cylinder
15	- CYLINDER HEAD GASKET	2	37000740		2	36000740	
16	- CYLINDER BASE GASKET	2	24000670		2	24000670	
17	- EXHAUST FLANGE GASKET	2	36001100		2	36001100	
	- GASKET - Crankcase to reed valve	2	24001150		2	24001150	
	- GASKET - Reed valve to manifold	2	24001200		2	24001200	
	- DRAIN BOLT GASKET	4	13000330	4	13000330		

# CANADIAN CURTISS-WRIGHT LIMITED

## Two Cylinder Engines



### FAN COVER ASSEMBLY

# FAN COVER ASSEMBLY

KEY	DESCRIPTION	CCW 400			CCW 440		
		QTY.	PART NO.	REMARKS	QTY.	PART NO.	REMARKS
1	FAN	1	36002250		1	36002250	
2	FAN SHAFT	1	36002260		1	36002260	
3	BALL BEARING	2	36002270		2	36002270	
4	CIRCLIP	2	50900047		2	50900047	
5	SPACER	1	36002291		1	36002291	
6	WASHER	1	36002330		1	36002330	
7	PULLEY	1	36002240		1	36002240	
8	SPACER (THIN 1.0 MM)	3	36002301		3	36002301	
8	SPACER (THICK 2.0 MM)	1	55001050		1	55001050	
9	SPACER (OUTSIDE)	1	36002310		1	36002310	
10	WASHER 12 $\phi$	1	45900012		1	45900012	
11	SPRING WASHER 12 $\phi$	1	47900012		1	47900012	
12	NUT	1	18000970		1	18000970	
13	FAN COVER	1	36060003		1	36060003	
15	"V" BELT	1	55001010		1	55001010	
16	PULLEY (Lower)	1	35000970		1	35000970	
20	BOLT 8x38	1	24004050		1	24004050	
21	SPRING WASHER 8 $\phi$	1	47900008		1	47900008	
22	PULLEY	1	36002230		1	36002230	
23	SPACER	1	36002350		1	36002350	
24	WASHER 8 $\phi$	1	45900008		1	45900008	

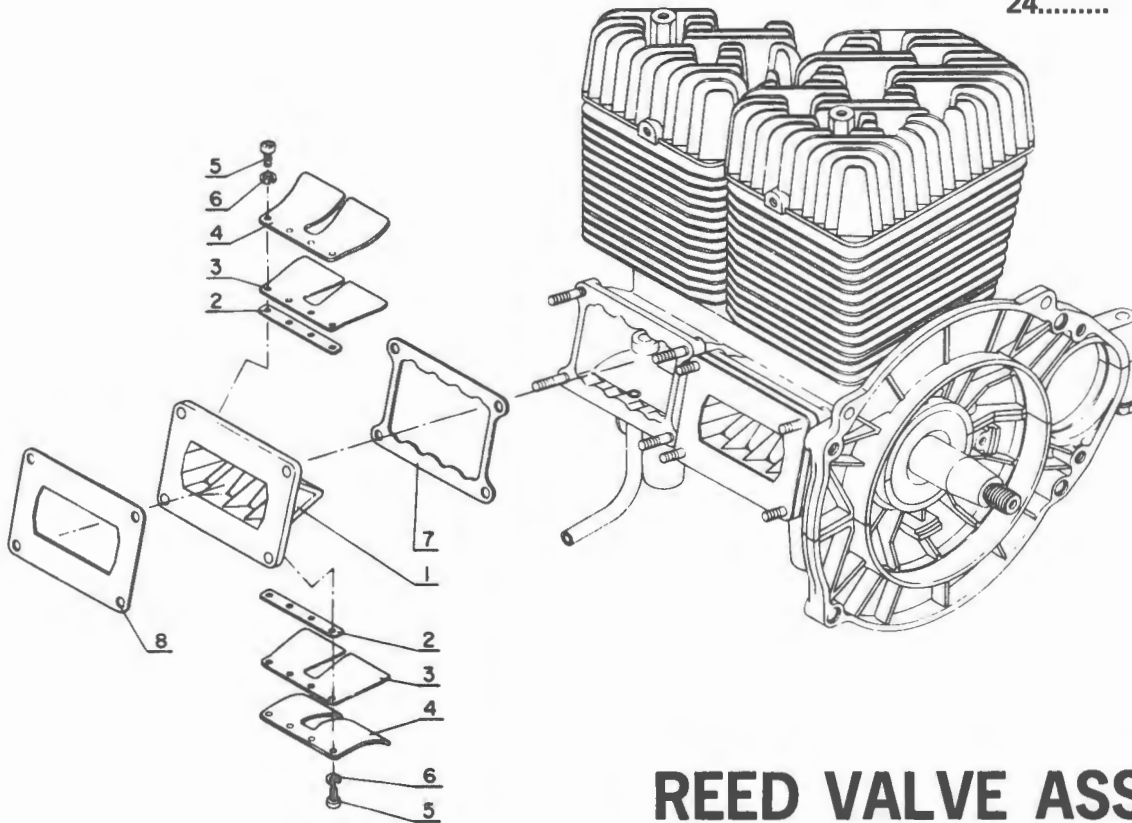
# CANADIAN CURTISS-WRIGHT LIMITED

## Two Cylinder Engines

SERIAL NUMBER  
COMMENCING

52.....

24.....

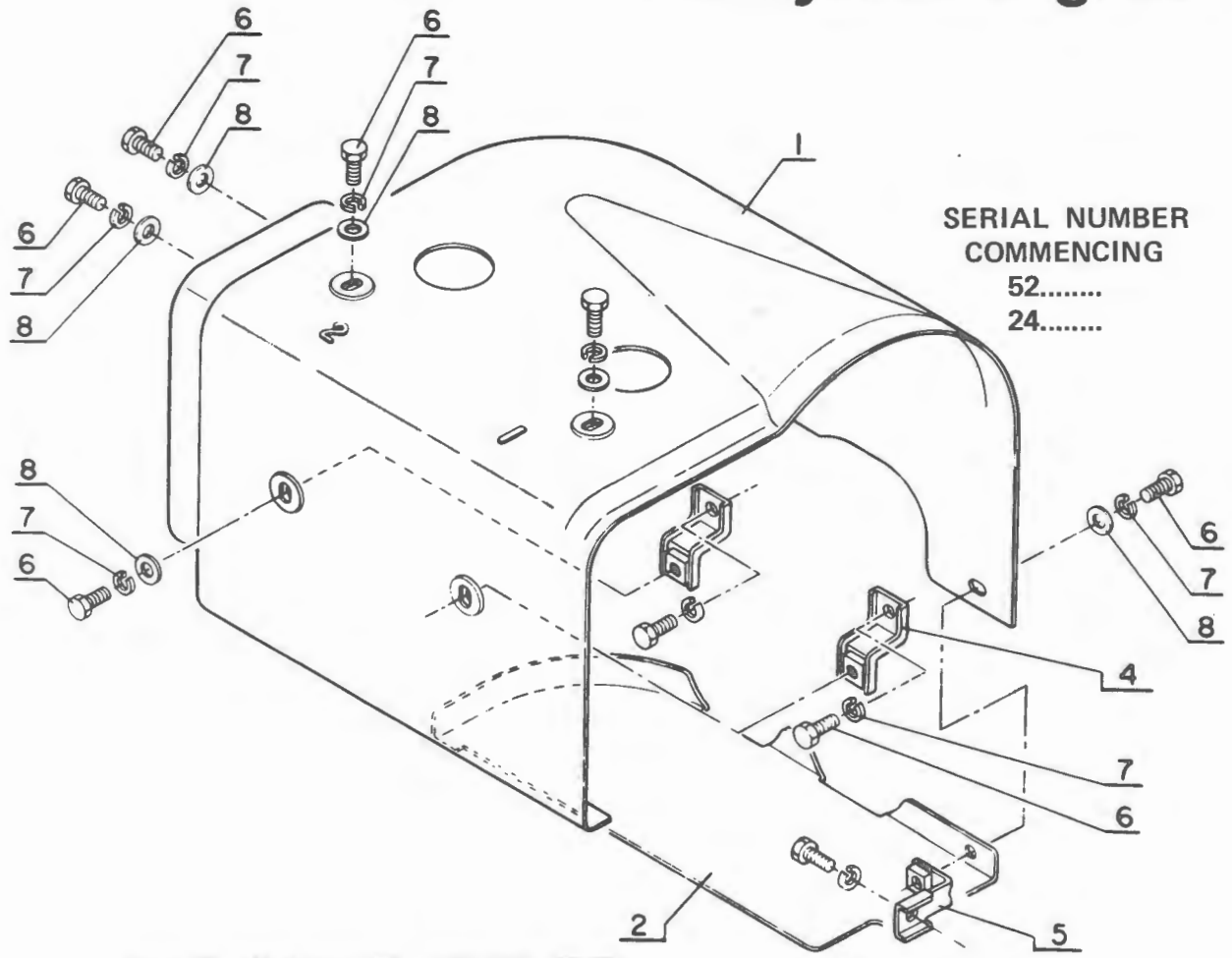


### REED VALVE ASSY.

KEY	DESCRIPTION	CCW 400			CCW 440		
		QTY.	PART NO.	REMARKS	QTY.	PART NO.	REMARKS
	REED VALVE ASSY.	2	24850000		2	24850000	
1	– REED VALVE BODY	2	24001160		2	24001160	
2	– VALVE SHIM.	4	24001170		4	24001170	
3	– REED VALVE	4	24001180		4	24001180	
4	– VALVE GUIDE	4	24001190		4	24001190	
5	– SCREW 3x6	16	18903006		16	18903006	
6	– SPRING WASHER 3 φ	16	47900003		16	47900003	
7	GASKET – Crankcase to reed valve	2	24001150		2	24001150	
8	GASKET – Reed valve to manifold	2	24001200		2	24001200	

# CANADIAN CURTISS-WRIGHT LIMITED

## Two Cylinder Engines



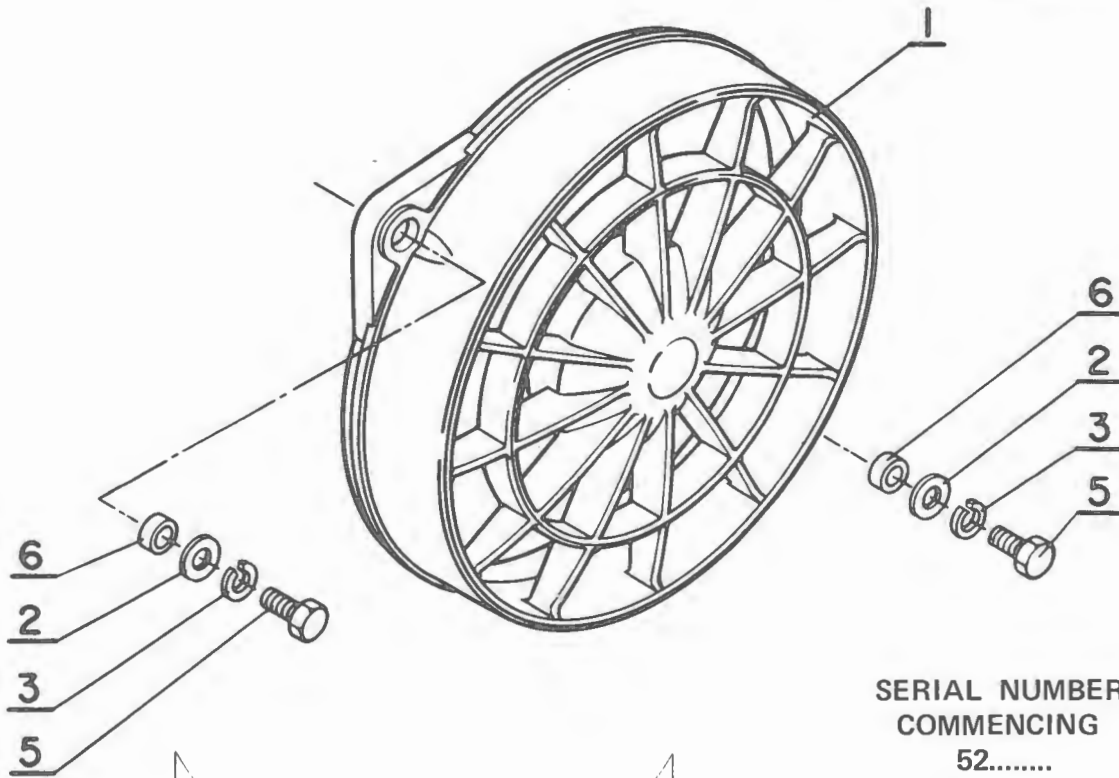
### CYLINDER COVER

KEY	DESCRIPTION	CCW 400			CCW 440		
		QTY.	PART NO.	REMARKS	QTY.	PART NO.	REMARKS
			SERIAL NUMBER COMMENCING 5200000		SERIAL NUMBER COMMENCING 2400000		
1	CYLINDER COVER	1	24002101		1	24002101	
2	CYLINDER COVER ADAPTOR	1	36080003		1	36080003	
4	CLAMP - CYLINDER COVER	2	35070000		2	35070000	
5	CLAMP - CYLINDER ADAPTOR	1	36200000		1	36200000	
6	BOLT 6 x 12	12	10906012		12	10906012	
7	SPRING WASHER 6 $\phi$	12	47900006		12	47900006	
8	WASHER 6 $\phi$	9	45900006		9	45900006	



# CANADIAN CURTISS-WRIGHT LIMITED

## Two Cylinder Engines



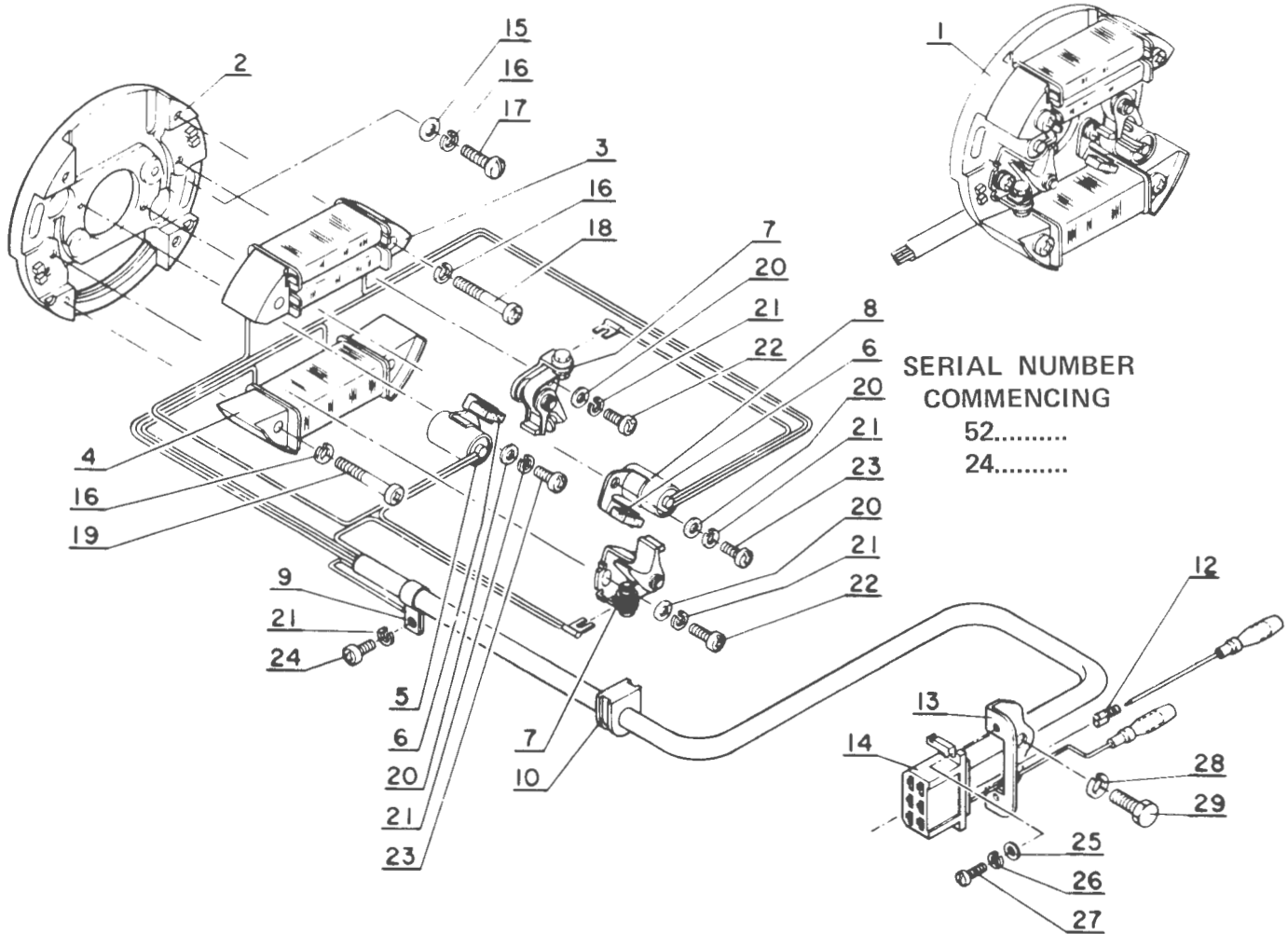
SERIAL NUMBER  
COMMENCING  
52.....  
24.....

### FAN GUARD

KEY	DESCRIPTION	CCW 400			CCW 440		
		QTY.	PART NO.	REMARKS	QTY.	PART NO.	REMARKS
			SERIAL NUMBER COMMENCING 5200000			SERIAL NUMBER COMMENCING 2400000	
1	FAN GUARD	1	36002402		1	36002402	
2	WASHER 6 $\phi$	2	45900006		2	45900006	
3	SPRING WASHER 6 $\phi$	2	47900006		2	47900006	
5	BOLT 6x12	2	10906012		2	10906012	
6	SPACER	2	18001121		2	18001121	
7	ADAPTOR COVER PLATE	1	36002410		1	36002410	

# CANADIAN CURTISS-WRIGHT LIMITED

## Two Cylinder Engines



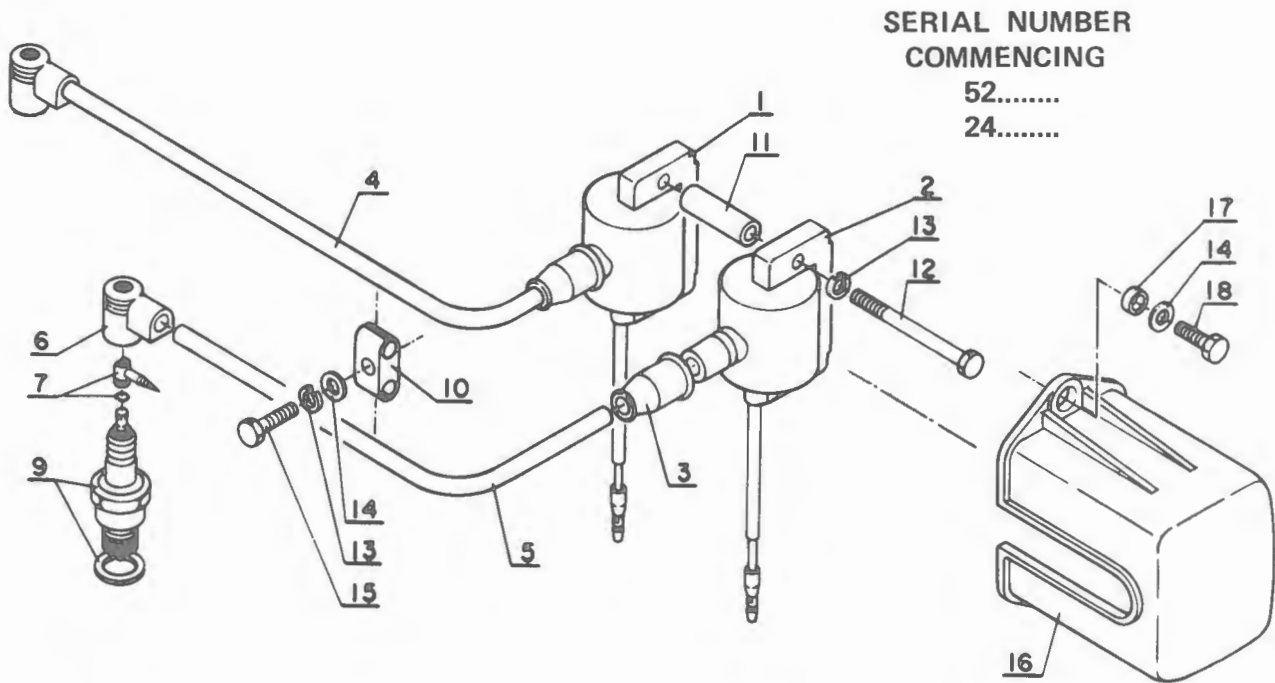
### COIL PLATE ASSY.

# COIL PLATE ASSY.

KEY	DESCRIPTION	CCW 400			CCW 440		
		QTY.	PART NO.	REMARKS	QTY.	PART NO.	REMARKS
	MAGNETO ASSY. (with ring gear)	1	36600000		1	36600000	
	MAGNETO ASSY. (less ring gear)	1	36050000		1	36050000	
	– FLYWHEEL ASSY. (with ring gear)	1	36520000		1	36520000	
	– FLYWHEEL ASSY. (less ring gear)	1	36590000		1	36590000	
1	COIL PLATE ASSY.	1	36510000		1	36510000	
2	– COIL PLATE	1	36001300		1	36001300	
3	– IGNITION GENERATING COIL	1	25000410		1	25000410	
4	– LIGHTING COIL	1	36001380		1	36001380	
5	– CONDENSER NO. 1	1	36001320		1	36001320	
6	– OILFELT	2	25000440		2	25000440	
7	– POINT SET	2	25000450		2	25000450	
8	– CONDENSER No. 2	1	36001330		1	36001330	
9	– CLAMP	1	36001340		1	36001340	
10	– GROMMET	1	19000550		1	19000550	
12	SPADE CONNECTOR (Female)	5	18000811		5	18000811	
	SPADE CONNECTOR (Male)	5	18000821		5	18000821	
13	BRACKET – Coupler Holder	1	18000772		1	18000772	
14	– COUPLER	1	18000571		1	18000571	
15	WASHER 5 $\phi$	2	45900005		2	45900005	
16	SPRING WASHER 5 $\phi$	6	47900005		6	47900005	
17	SCREW 5 x 16	2	12905016		2	12905016	
18	– SCREW 5 x 32	2	18905032		2	18905032	
19	– SCREW 5 x 30	2	18905030		2	18905030	
20	– WASHER 4 $\phi$	4	45900004		4	45900004	
21	– SPRING WASHER 4 $\phi$	5	47900004		5	47900004	
22	– SCREW 4 x 10	2	18904010		2	18904010	
23	– SCREW 4 x 8	2	18904008		2	18904008	
24	– SCREW 4 x 7	1	18904007		1	18904007	
25	WASHER 3 $\phi$	2	45900003		2	45900003	
26	SPRING WASHER 3 $\phi$	2	47900003		2	47900003	
27	SCREW 4 x 8	2	12903008		2	12903008	
28	SPRING WASHER 6 $\phi$	1	47900006		1	47900006	
29	BOLT 6 x 15	1	10906015		1	10906015	

# CANADIAN CURTISS-WRIGHT LIMITED

## Two Cylinder Engines

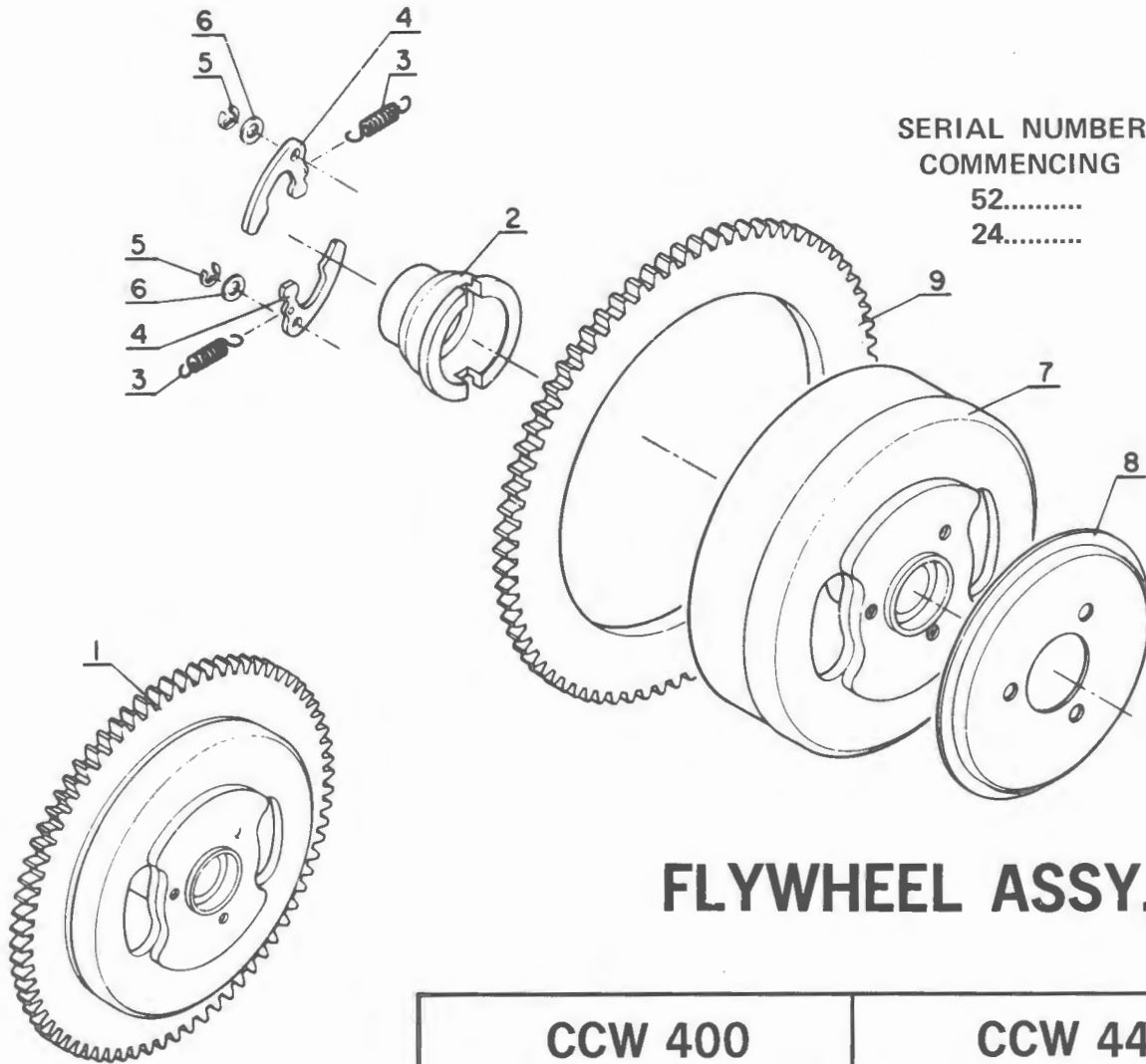


## IGNITION CABLES & HIGH TENSION COILS

KEY	DESCRIPTION	QTY.	CCW 400		CCW 440		REMARKS
			SERIAL NUMBER COMMENCING	SERIAL NUMBER COMMENCING	SERIAL NUMBER COMMENCING	SERIAL NUMBER COMMENCING	
			5200000	2400000			
1	IGNITION COIL (Cyl. near Fan)	1	25000520		1	25000520	
2	IGNITION COIL (Cyl. near P.T.O.)	1	25000530		1	25000530	
3	RUBBER BUSHING	2	25000510		2	25000510	
4	H.T. Ignition Wire (Cyl. near Fan)	1	25000490		1	25000490	
5	H.T. Ignition Wire (Cyl. near P.T.O.)	1	25000500		1	25000500	
6	SPARK PLUG CONNECTOR	2	11000431		2	11000431	
7	SPARK PLUG CONNECTOR TER.	2	11000422		2	11000422	
9	SPARK PLUG	2	38000780		2	38000780	
10	CLAMP	1	36001850		1	36001850	
11	COIL SPACER	2	18001090		2	18001090	
12	BOLT. 6x65	2	18001350		2	18001350	
13	SPRING WASHER 6 φ	3	47900006		3	47900006	
14	WASHER 6 φ	3	45900006		3	45900006	
15	BOLT 6x22	1	10906022		1	10906022	
16	COIL COVER	1	18001083		1	18001083	
17	COIL SPACER	2	18001121		2	18001121	
18	BOLT 6x12	2	10906012		2	10906012	

# CANADIAN CURTISS-WRIGHT LIMITED

## Two Cylinder Engines



### FLYWHEEL ASSY.

KEY	DESCRIPTION	QTY.	CCW 400			CCW 440		
			SERIAL NUMBER COMMENCING	PART NO.	REMARKS	SERIAL NUMBER COMMENCING	PART NO.	REMARKS
			5200000			2400000		
1	FLYWHEEL ASSY. (with ring gear)	1	36590000		1	36590000		
	FLYWHEEL ASSY. (without ring gear)	1	36520000		1	36520000		
2	- CAM	1	36001350		1	36001350		
3	- GOVERNOR SPRING	2	36001360		2	36001360		
4	- GOVERNOR WEIGHT	2	36001370		2	36001370		
5	- "E" RING	2	25000570		2	25000570		
6	- WASHER	2	25000580		2	25000580		
7	- FLYWHEEL	1	N.P.	Not procurable	1	N.P.	Not procurable	
8	WINDOW PLATE	1	25000600		1	25000600		
9	RING GEAR	1	36001310		1	36001310		

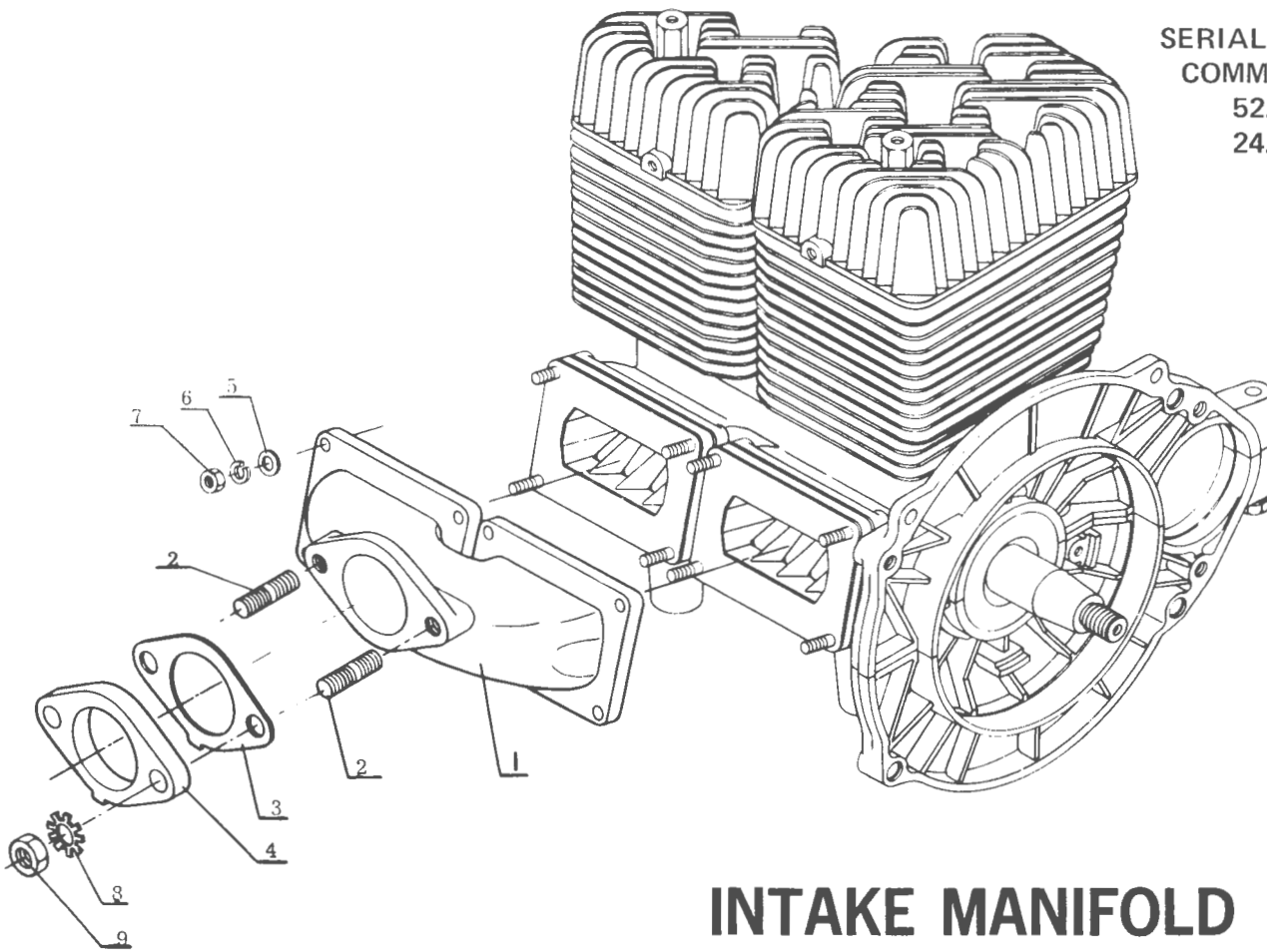
# CANADIAN CURTISS-WRIGHT LIMITED

## Two Cylinder Engines

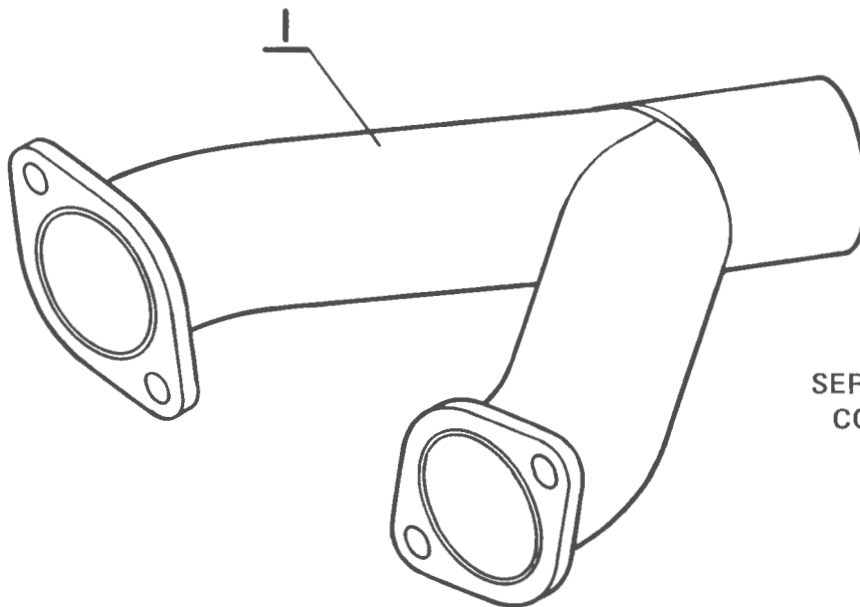
SERIAL NUMBER  
COMMENCING

52.....

24.....



### INTAKE MANIFOLD



SERIAL NUMBER  
COMMENCING

52.....

24.....

### EXHAUST MANIFOLD

# INTAKE MANIFOLD

		CCW 400 SERIAL NUMBER COMMENCING 5200000			CCW 440 SERIAL NUMBER COMMENCING 2400000		
KEY	DESCRIPTION	QTY.	PART NO.	REMARKS	QTY.	PART NO.	REMARKS
1	INTAKE MANIFOLD	1	24001010		1	24001010	
2	STUD BOLT	2	25000180		2	25000180	
3	GASKET	1	25000271		1	25000271	
4	INSULATOR	1	25000260		1	25000260	
5	WASHER 6 $\phi$	8	45900006		8	45900006	
6	SPRING WASHER 6 $\phi$	8	47900006		8	47900006	
7	NUT 6 $\phi$	8	36001420		8	36001420	
8	SPRING WASHER (TBW-10)	2	25000280		2	25000280	
9	NUT (3N-10)	2	38001930		2	38001930	

# EXHAUST MANIFOLD

		CCW 400 SERIAL NUMBER COMMENCING 5200000			CCW 440 SERIAL NUMBER COMMENCING 2400000		
KEY	DESCRIPTION	QTY.	PART NO.	REMARKS	QTY.	PART NO.	REMARKS
1	EXHAUST MANIFOLD	1	36001111		1	36001111	

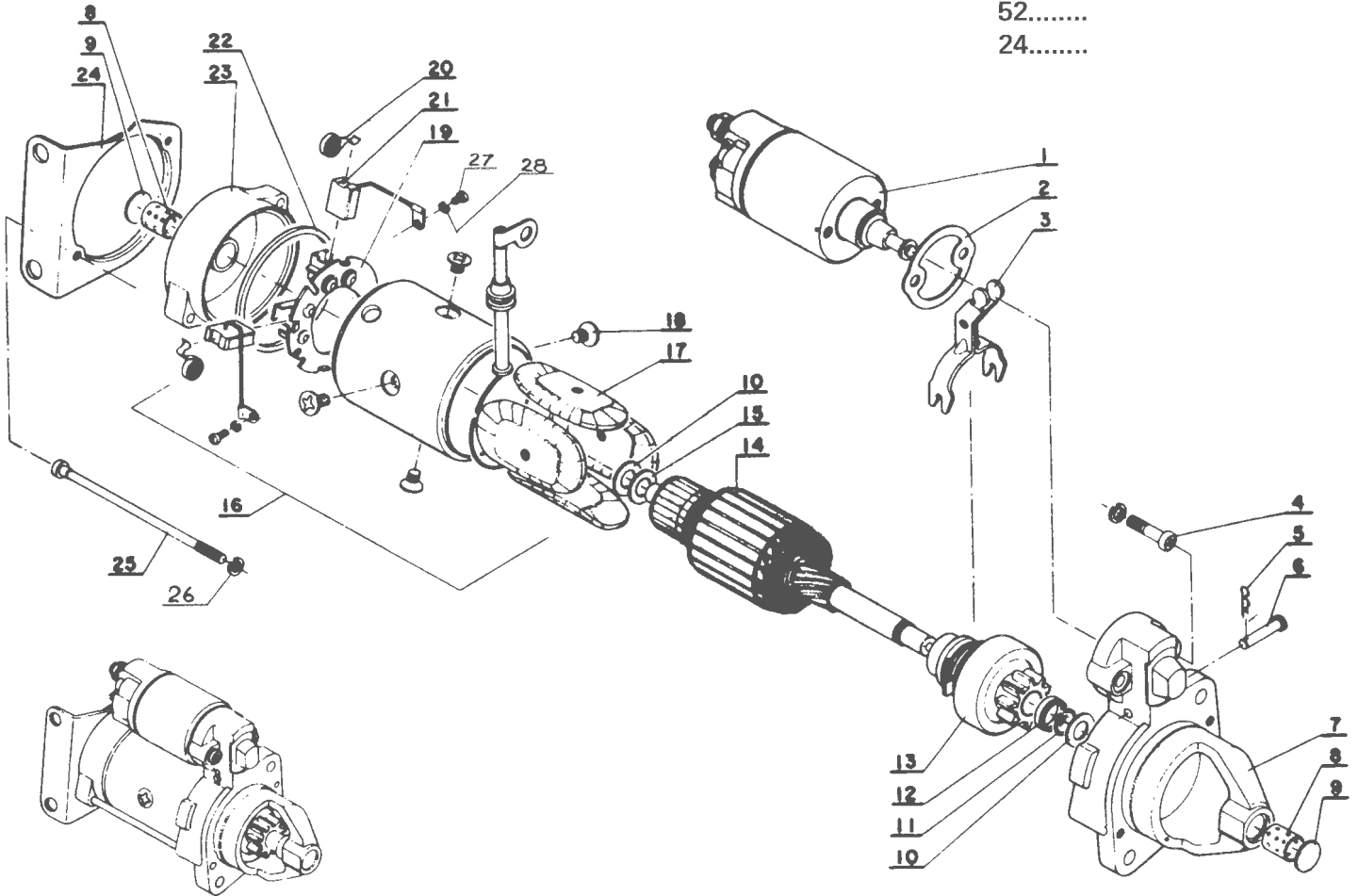
# CANADIAN CURTISS-WRIGHT LIMITED

## Two Cylinder Engines

SERIAL NUMBER  
COMMENCING

52.....

24.....



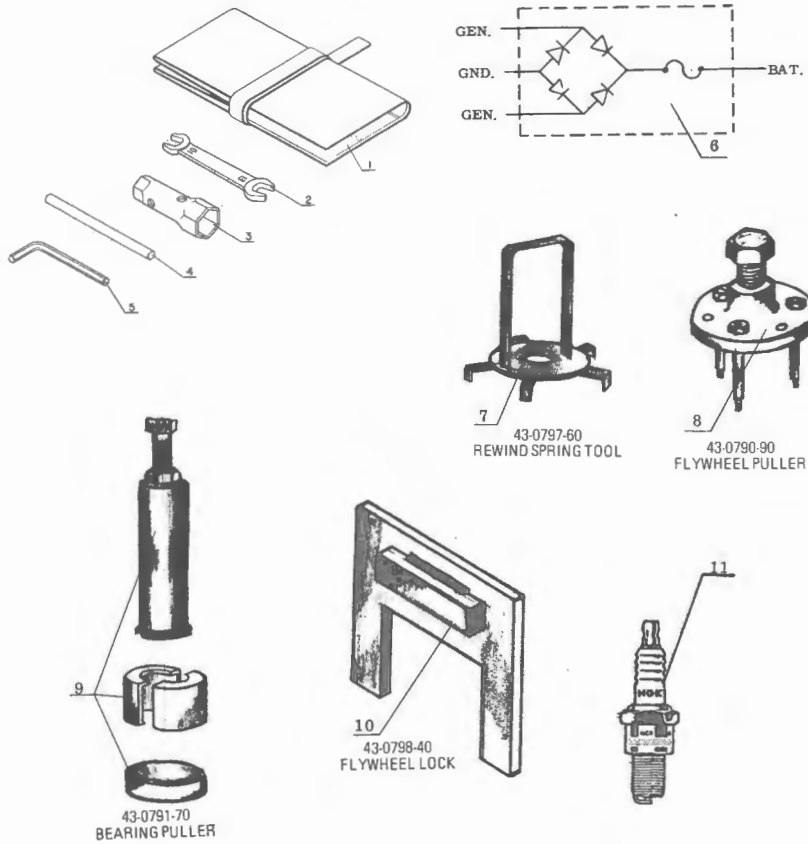
## ELECTRIC STARTER MOTOR

# ELECTRIC STARTER MOTOR

		<b>CCW 400</b>			<b>CCW 440</b>		
		SERIAL NUMBER COMMENCING 5200000			SERIAL NUMBER COMMENCING 2400000		
KEY	DESCRIPTION	QTY.	PART NO.	REMARKS	QTY.	PART NO.	REMARKS
1-25	<b>STARTER ASSY.</b>	1	36150000		1	36150000	
1	– SOLENOID SWITCH, complete	1	36002920		1	36002920	
2	– GASKET	1			1		
3	– PINION DRIVE LEVER	1	36002940		1	36002940	
4	– SOLENOID SWITCH set screw	2	36002950		2	36002950	
5	– SNAP PIN	1	36002960		1	36002960	
6	– DRIVE LEVER SET PIN	1	18001650		1	18001650	
7	– OUTBOARD BEARING bracket	1	36750000		1	36750000	
8	– BEARING BUSHING	2	18001670		2	18001670	
9	– BEARING COVER	2	36003000		2	36003000	
10	– WASHER #1	2	36003010		2	36003610	
11	– SNAP RING	1	36003020		1	36003020	
12	– CLUTCH STOP COLLAR	1	18001710		1	18001710	
13	– OVER RUNNING CLUTCH	1	18001720		1	18001720	
14	– ARMATURE, COMPLETE	1	36003050		1	36003050	
15	– WASHER #2	2	36003060		2	36003060	
16	– YOKE, COMPLETE	1	36760000		1	36760000	
17	– FIELD COIL	1	36003080		1	36003080	
18	– POLE CORE SCREW	4	36003090		4	36003090	
19	– BRUSH HOLDER PLATE	1	36770000		1	36770000	
20	– BRUSH SPRING	2	36003110		2	36003110	
21	– BRUSH	2	36003120		2	36003120	
22	– "O" RING	1	36003140		1	36003140	
23	– COMM. SIDE END FRAME	1	36780000		1	36780000	
24	– END SUPPORT BRACKET	1	36003160		1	36003160	
25	– THROUGH BOLT	2	36003170		2	36003170	
26	– SPRING WASHER 5 $\phi$	2	47900005		2	47900005	
27	– SCREW 3x6	2	18903006		2	18903006	
28	– SPRING WASHER 3 $\phi$	2	47900003		2	47900003	
	BOLT	2	18001330		2	18001330	
	SPRING WASHER 8 $\phi$	2	47900008		2	47900008	

# CANADIAN CURTISS-WRIGHT LIMITED

## Two Cylinder Engines



## TOOLS & ACCESSORIES

KEY	DESCRIPTION	CCW 400			CCW 440		
		QTY.	PART NO.	REMARKS	QTY.	PART NO.	REMARKS
			SERIAL NUMBER COMMENCING 5200000			SERIAL NUMBER COMMENCING 2400000	
1-5	TOOL KIT	1	30610000		1	30610000	
1	- BAG	1	*	*Available only in tool kit	1	*	*Available only in tool kit
2	- SPANNER 10x13 mm.	1	*		1	*	
3	- TUBE SPANNER 13x21 mm.	1	*		1	*	
4	- HANDLE ROD	1	*		1	*	
5	- "L" WRENCH	1	*		1	*	
6	RECTIFIER	1	43071270		1	43071270	
7	REWIND SPRING TOOL	1	43079760		1	43079760	
8	FLYWHEEL PULLER	1	43079090		1	43079090	
9	BEARING PULLER	1	43079170		1	43079170	
10	FLYWHEEL LOCK	1	43079840		1	43079840	
11	SPARK PLUG	2	38000780		2	38000780	