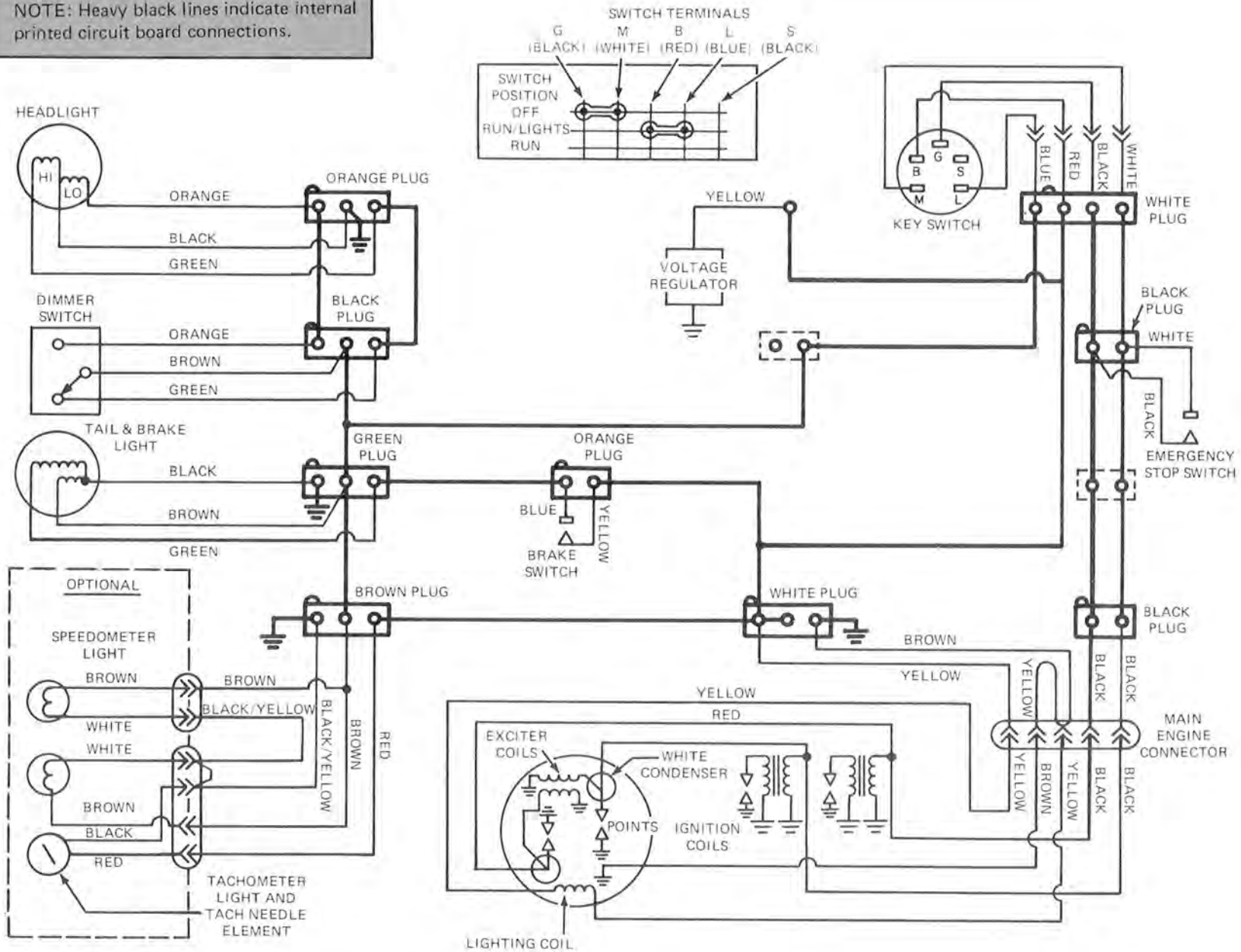


NOTE: Heavy black lines indicate internal printed circuit board connections.



NOTE: Heavy black lines indicate internal printed circuit board connections.

