

TRAIL-TWISTER (340/440) PARTS MANUAL



BC
A BRUNSWICK COMPANY

JUNE 1975

SERIAL NUMBERS:

Chassis (340)	4345825 and up
Chassis (440)	4347125 and up
Engine (340) - Kohler	501001 and up
Engine (440) - Kohler	501001 and up

INDEX:

	<u>Page</u>
Carburetor Assembly, Complete (340 T/T and 440 T/T)	10
Chaincase, Sprockets and Brake	15
Chassis Assembly	14
Cowls and Windshield	11
Crankcase, Crankshaft and Piston Assembly	6
Cylinder Assembly and Engine Shroud	3
Dashboard, Wiring Harness and Seat Cushion	26
Drive Sheave and Driven Sheave Assembly	27
Fan Housing and Recoil Starter	2
Fuel System and Carburetor Air Intake	7
Handlebar and Steering Linkage	22
High Altitude Parts.	27
Ignition Coil, Trigger and Flywheel Assembly(STYLE "A" AND STYLE "B")	29 & 30
Muffler and Engine Mounting Plate	31
Slide Suspension Frame (front)	18
Slide Suspension (rear) and Bogie Wheel Kit	19
Steering Spindle and Ski Assembly	23

"TYPICAL VIEWS ARE SHOWN" AR = As Required

NOTE: All Part Numbers preceded by a dot (●) are new and listed for the first time.

ACCESSORIES

Carburetor Kit, High Altitude - 340 T/T	D-1393-6150A1
Clutch Kit, High Altitude - 340 T/T	D-74124A1
Sprocket, High Altitude (14T) - 340 T/T	D-64684
Chain, High Altitude (76 P.L.) - 340 T/T	D-69514
Carburetor Kit, High Altitude - 440 T/T	D-1393-5874A2
Clutch Kit, High Altitude - 440 T/T	D-71716A1
Sprocket, High Altitude (15T) - 440 T/T	D-63318A1
Chain, High Altitude (76 P.L.) - 440 T/T	D-69514
Decal Set	C-37-73740A76
Trail-Twister Parts Manual	C-90-74107
Carbide Insert Wear Skegs	D-71334
Merc Stud Kit	D-68441
Merc Stud Kit, carbide	D-71926
Merc Stud Kit, scat.	D-71925
Spanner Wrench	C-91-67929
Fuel Gauge and Cap - 340 T/T	D-36-74030
Speedometer Assembly - 340 T/T	D-79-71186A1
Tachometer Assembly - 340 T/T	D-79-71185A1

MERCURY MARINE

DIVISION OF BRUNSWICK CORPORATION
FOND DU LAC, WISCONSIN 54935

USE ONLY GENUINE

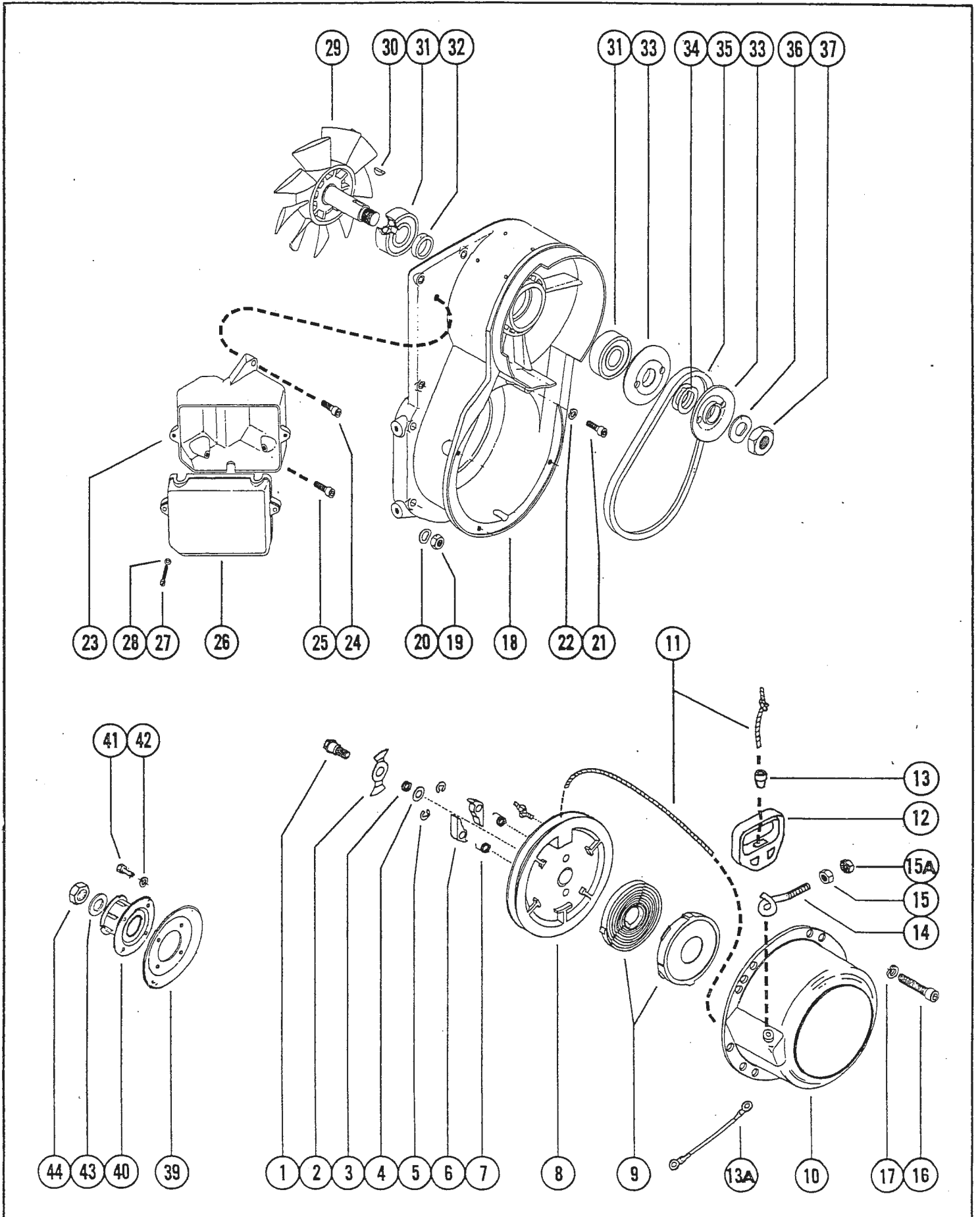
***MER* CAP**

REPLACEMENT PARTS

AND

**QUICKSILVER
ACCESSORIES**

FAN HOUSING AND RECOIL STARTER



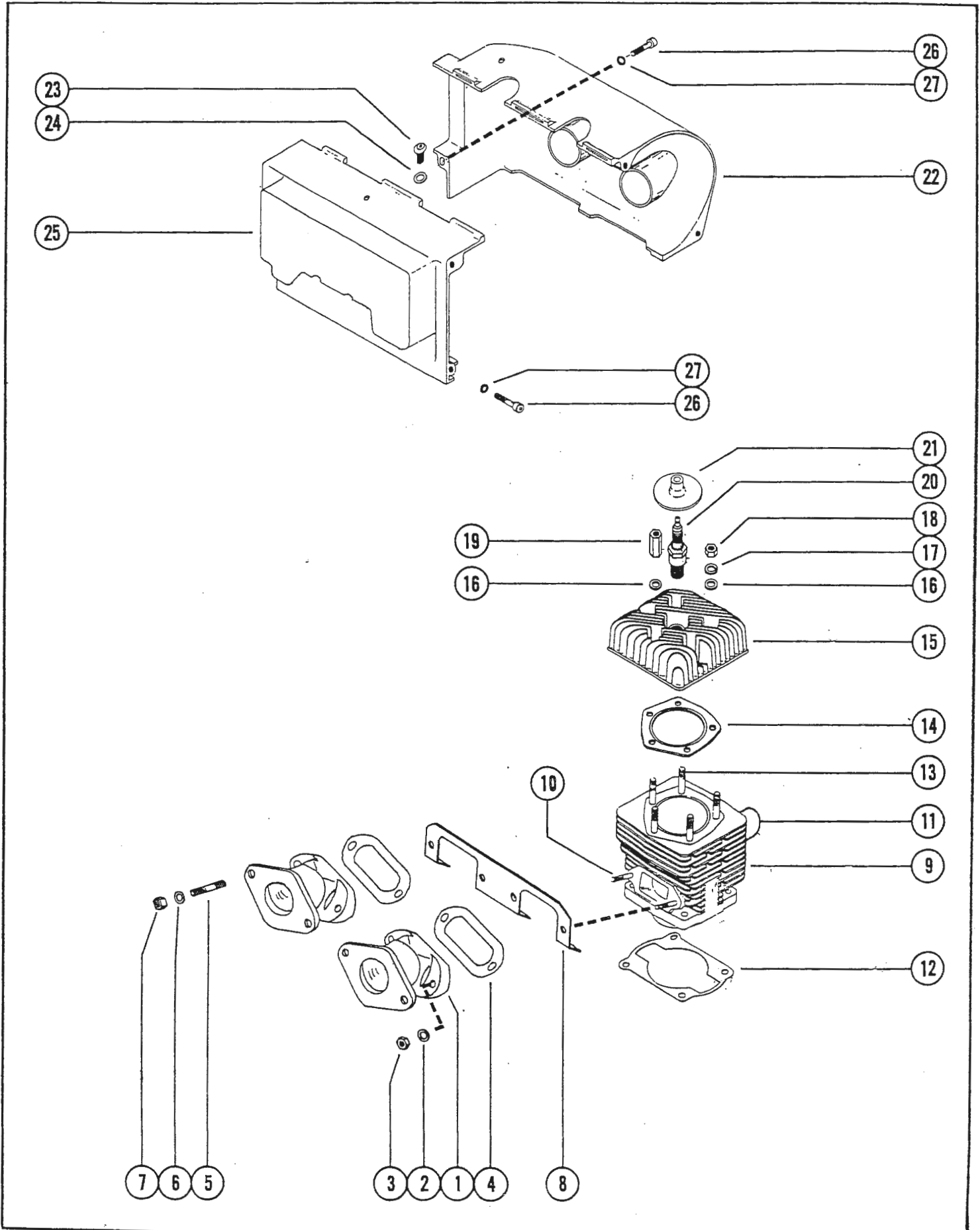
FAN HOUSING AND RECOIL STARTER

PART NO.	REF. NO.	DESCRIPTION	QUAN.
D-50-69983	-	Retractable Starter Assembly	1
C-10-67191	1	Screw, starter components to starter housing	1
D-67192	2	Cam, starter pawl	1
C-24-67193	3	Spring, brake - starter pawl	1
C-12-67194	4	Washer, brake spring	1
C-53-67195	5	Snap Ring, starter pawl retaining	2
D-67196	6	Pawl, starter	2
C-24-67197	7	Spring, starter pawl	2
D-67198	8	Pulley Assembly, starter	1
C-24-67199	9	Spring, return - starter rewind pulley	1
D-67770	10	Housing, starter rewind	1
C-50-28985A1	11	Starter Rope	1
D-62631A1	12	Handle Assembly, starter rope	1
D-62632	13	Snubber, starter rope to handle	1
C-84-63415A2	13A	Ground Strap	1
D-68196	14	Guide, starter rope	1
C-11-24883	15	Nut, starter rope guide attaching	1
C-11-23161	15A	Nut, starter rope guide attaching	1
C-10-67181	16	Screw, starter housing to bell housing	4
C-12-67187	17	Lockwasher, starter housing to bell housing screw	4
D-71198	18	Housing, fan	1
C-11-67144	19	Nut, fan housing attaching	5
C-13-67145	20	Washer, wave - fan housing attaching screw	5
C-10-67181	21	Screw, fan housing attaching	4
C-12-67187	22	Washer, wave - fan housing screw	4
D-71208	23	Housing, coil	1
C-10-71195	24	Screw, coil housing to fan housing	5
C-10-71209	25	Screw, coil housing to fan housing	1
D-71210	26	Cover, coil box	1
C-10-71211	27	Screw, coil cover to coil housing	2
C-12-71212	28	Washer, coil cover attaching screw	2
D-71199	29	Fan, cooling	1
C-28-67174	30	Key, cooling fan shaft	1
D-30-71200	31	Ball Bearing, fan shaft	2
D-23-71201	32	Spacer, fan shaft bearing	1
D-71202	33	Pulley, fan drive	2
C-15-71203	34	Shim, fan pulley	AR
D-57-71206	35	Belt, fan drive	1
C-13-71205	36	Lockwasher, fan shaft nut	1
C-11-71204	37	Nut, fan shaft	1
D-67179	39	Sheave, starter	2
D-67180	40	Starter Cup	1
C-10-67181	41	Screw, starter cup sheave and hub to flywheel	4
C-12-67187	42	Washer, starter cup screw	4
C-12-67177	43	Washer, flywheel to crankshaft	1
C-11-67178	44	Nut, flywheel to crankshaft	1

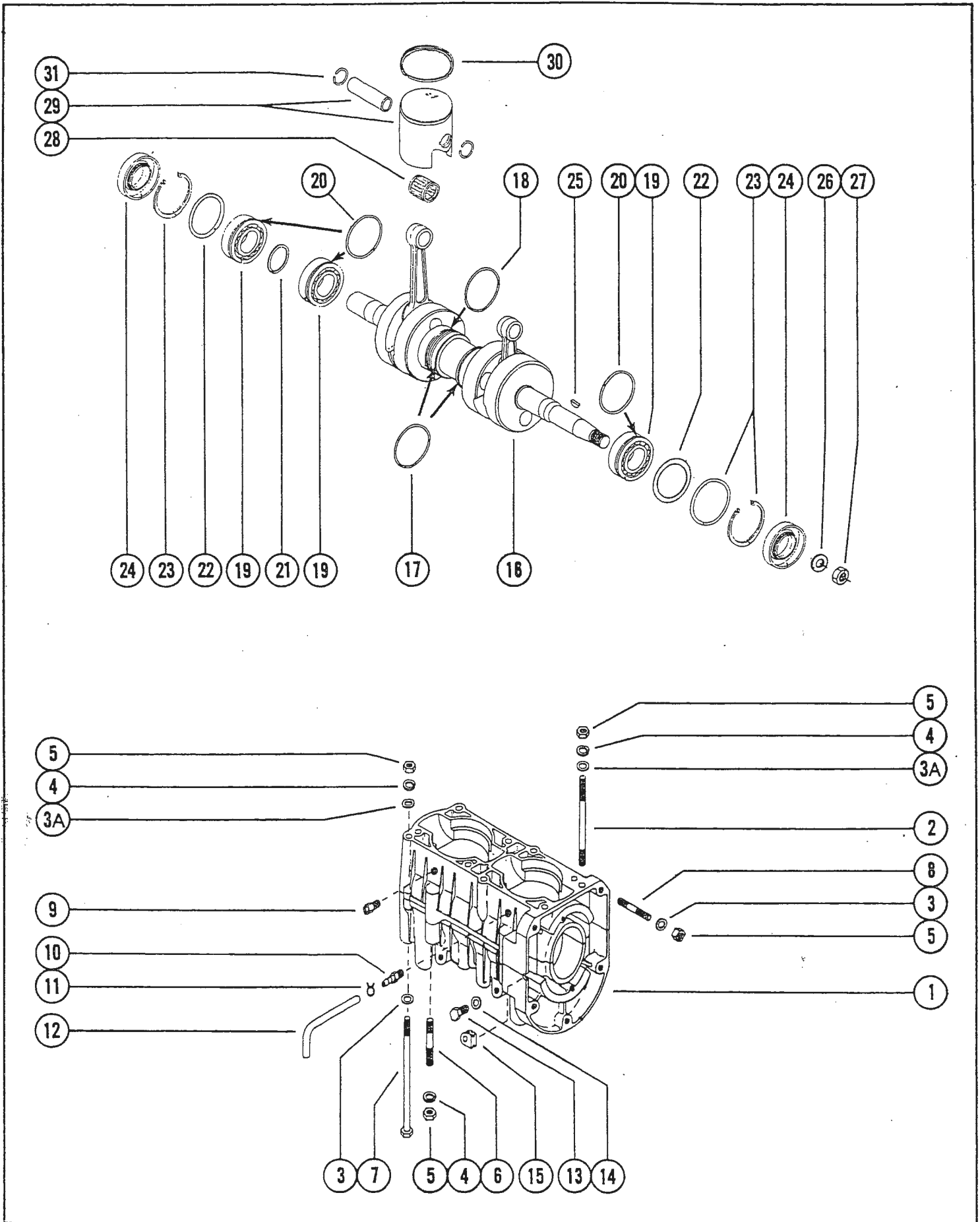
CYLINDER ASSEMBLY AND ENGINE SHROUD

PART NO.	REF. NO.	DESCRIPTION	QUAN.
D-71767	1	Adaptor	1
C-13-26993	2	Lockwasher, adaptor to cylinder nut	4
C-11-67144	3	Nut, adaptor to cylinder	4
C-27-71768	4	Gasket, adaptor to cylinder	2
C-16-67162	5	Stud, carburetor mounting	4
C-13-67145	6	Washer, wave - mounting stud	4
C-11-67144	7	Nut, mounting stud	4
D-71766	8	Plate, intake enclosure	1
D-860-6153	9	Cylinder, piston - 340 T/T	2
●D-860-6087	9	Cylinder, piston - 440 T/T	2
C-16-69995	10	Stud, cylinder - intake	4
D-71261	11	Nipple, exhaust	2
D-27-69985	12	Gasket, cylinder base	2
C-16-69994	13	Stud, cylinder to cylinder head	10
●C-27-74113	14	Gasket, cylinder head to cylinder	2
●D-861-6156	15	Cylinder Head	2
D-27-69984	14	Gasket, cylinder head to cylinder	2
D-861-5715	15	Cylinder Head	2
C-12-67169	16	Washer, cylinder head mounting screw	10
C-13-26993	17	Lockwasher, cylinder head mounting screw	8
C-11-67144	18	Nut, cylinder head mounting screw	8
C-11-69989	19	Nut, cylinder head and air shroud attaching	2
D-33-73271	20	Spark Plug	2
D-71283	21	Protector, spark plug	2
D-69999	22	Air Shroud, exhaust side	1
C-10-71196	23	Screw, air shroud attaching	2
C-13-67145	24	Washer, wave - air shroud screw	2
D-69998	25	Air Shroud, intake side	1
C-10-71195	26	Screw, shroud attaching	5
C-12-67187	27	Washer, wave - shroud attaching screw	5

CYLINDER ASSEMBLY AND ENGINE SHROUD



CRANKCASE, CRANKSHAFT AND PISTON ASSEMBLY



CRANKCASE, CRANKSHAFT AND PISTON ASSEMBLY

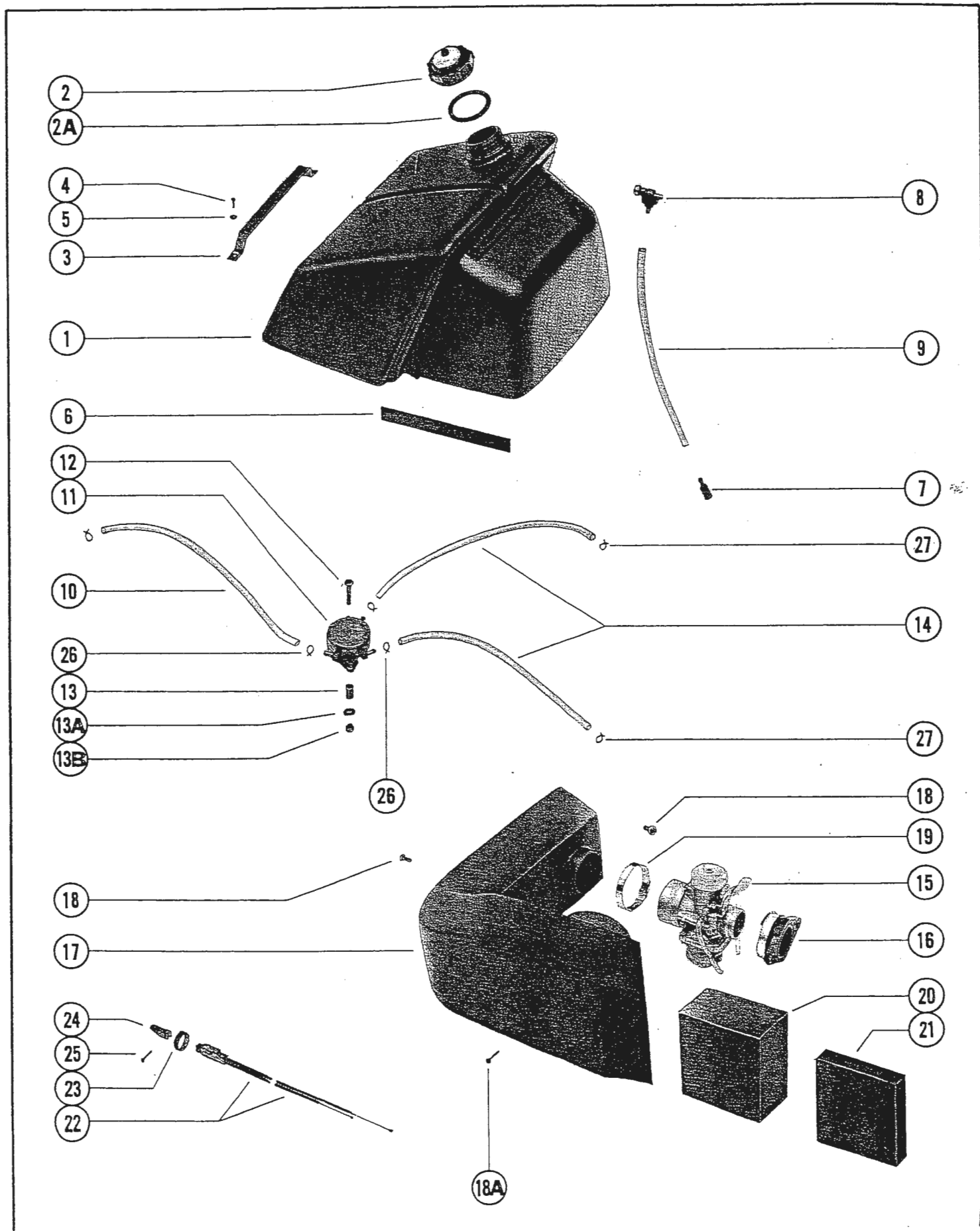
PART NO.	REF. NO.	DESCRIPTION	QUAN.
D-958-5714	1	Crankcase Assembly	1
C-16-69986	2	Stud, cylinder to crankcase	3
C-13-67145	3	Washer, wave - crankcase screw	5
C-12-71222	3A	Washer, mounting studs	13
C-13-26993	4	Lockwasher, crankcase screw	26
C-11-67144	5	Nut, cylinder to crankcase screw	35
C-16-67161	6	Stud, crankcase attaching	6
C-10-69987	7	Screw, cylinder to crankcase	5
C-16-69978	8	Stud, crankcase to vent housing	5
C-19-67853	9	Plug, crankcase	1
C-22-67148	10	Connector, pulse tube	1
C-54-68424	11	Clamp, pulse tube	2
C-32-70432	12	Tube, pulse	1
C-10-67146	13	Screw, plug - crankcase drain	2
C-12-67147	14	Washer, crankcase drain screw	2
C-25-67176	15	Grommet, crankcase	2
D-457-5716	16	Crankshaft Assembly (including connecting rods)	1
C-25-67151	17	"O" Ring, crankshaft bearings	2
C-25-67152	18	"O" Rings, distance ring	1
C-30-67153	19	Ball Bearing, crankshaft	3
C-25-67151	20	"O" Ring, crankshaft end bearings	5
C-12-67155	21	Washer, ball bearing	1
C-15-67156	22	Shim, ball bearing	AR
C-53-67158	23	"E" Ring, crankshaft end bearing	2
D-26-67159	24	Oil Seal, crankshaft	2
C-28-67174	25	Key, crankshaft - flywheel locating	1
C-12-67177	26	Washer, crankshaft flywheel nut	1
C-11-67178	27	Nut, crankshaft flywheel attaching	1
D-31-67160	28	Roller Bearing, piston pin	2
●D-757-6154	29	Piston Assembly	2
●D-39-74111A1	30	Piston Ring Assembly	} 340 T/T
D-40-67773	31	Ring, retaining - piston pin	
D-757-6084	29	Piston Assembly	} 440 T/T
D-39-73032A1	30	Piston Ring Assembly	
D-40-67773	31	Ring, retaining - piston pin	4

NOTE: For replacement of Engine Assembly Complete, order part number { ●D-73170A2 - 340 T/T
●D-72998A2 - 440 T/T

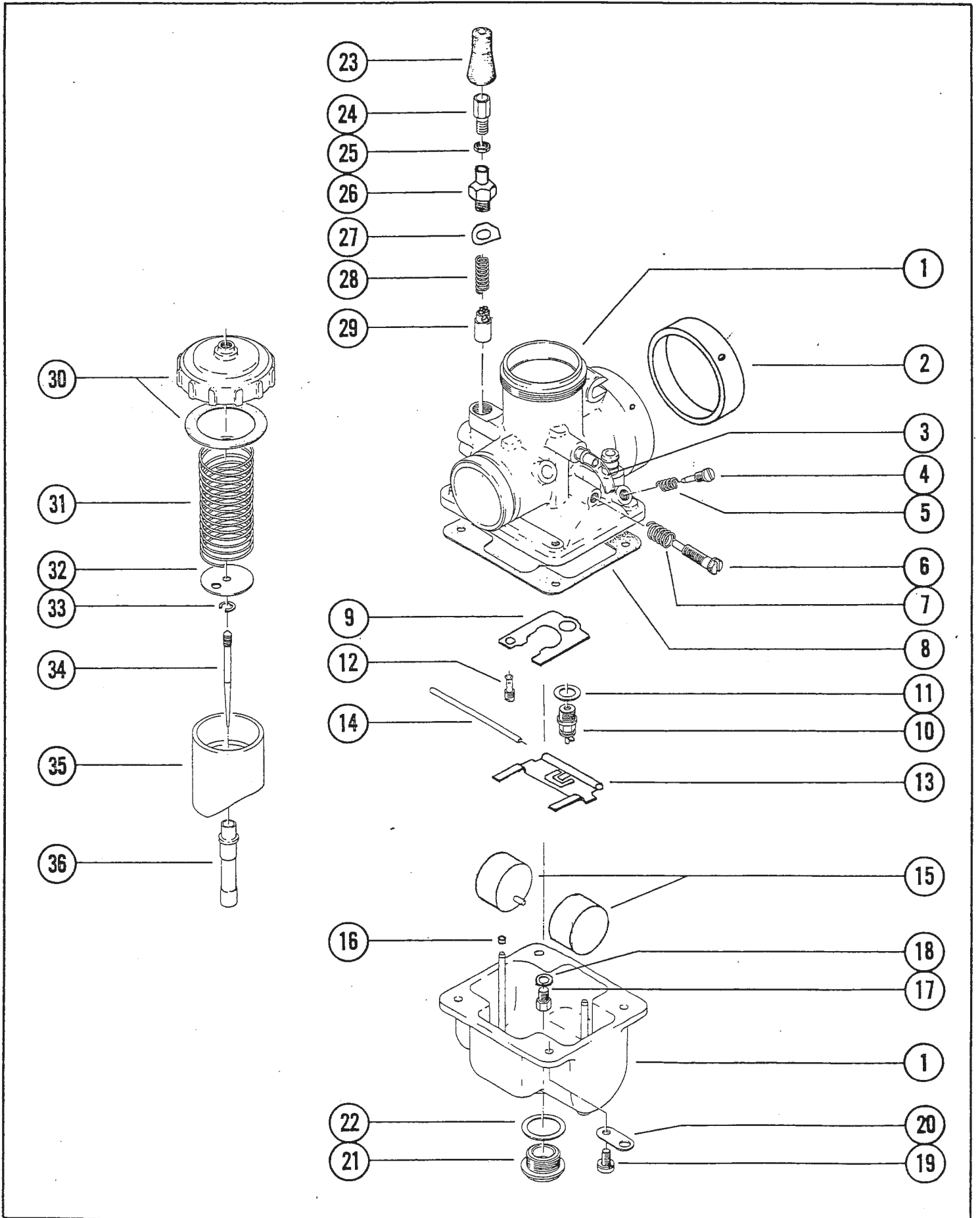
FUEL SYSTEM AND CARBURETOR AIR INTAKE

PART NO.	REF. NO.	DESCRIPTION	QUAN.
D-1246-5417	1	Fuel Tank	1
D-36-68244	2	Cap, fuel tank - 340 T/T	1
D-36-74030	2	Cap and Gauge, fuel tank (not shown) - 440 T/T	1
D-27-75231	2A	Gasket, fuel cap	1
D-67974	3	Mount, fuel tank	1
C-17-63410	4	Rivet, fuel tank mount to chassis	2
C-12-21273	5	Washer, fuel tank mount to chassis rivet	2
D-72995	6	Pad, fuel tank mounting (cut to correct length)	3
D-67942	7	Fuel Pick-Up, fuel tank	1
C-22-67943	8	Fitting, fuel shut off	1
C-32-68412-1	9	Hose, fuel pick-up to fuel shut off valve (16")	1
C-32-68412-1	10	Hose, fuel tank to fuel pump (15 3/4")	1
D-71839	11	Fuel Pump	1
C-10-21937	12	Screw, fuel pump attaching (2")	2
C-23-72991	13	Spacer, fuel pump attaching screw	2
C-12-34917	13A	Washer, fuel pump attaching screw	2
C-11-20361	13B	Nut, fuel pump attaching screw	2
C-32-68412-1	14	Hose, fuel pump to carburetor (15 3/4")	2
D-1380-5957	15	Carburetor Assembly - 340 T/T	2
D-1373-6057	15	Carburetor Assembly - 440 T/T	2
D-73017	16	Adaptor, carburetor to cylinder block - 340 T/T	2
D-67539	16	Adaptor, carburetor to cylinder block - 440 T/T	2
D-73964	17	Air Intake, carburetor - 340 T/T	1
D-72904	17	Air Intake, carburetor - 440 T/T	1
C-10-54744	18	Screw, air intake to carburetor silencer (3/4")	2
C-18-34212	18A	Pin, cotter - air intake to inlet silencer	1
C-54-37759A1	19	Clamp, carburetor to air intake	2
D-72977	20	Inlet Silencer, air intake	1
D-73965	21	Inlet Silencer, fan	1
D-72113	22	Choke Cable	1
D-72587	23	Bezel, choke cable	1
D-72588	24	Lever, choke control	1
C-17-72589	25	Pin, lever attaching	1
C-54-72826	26	Clamp, fuel hose attaching	4
C-54-72838	27	Clamp, fuel hose attaching to carburetor	2

FUEL SYSTEM AND CARBURETOR AIR INTAKE



CARBURETOR ASSEMBLY



CARBURETOR ASSEMBLY

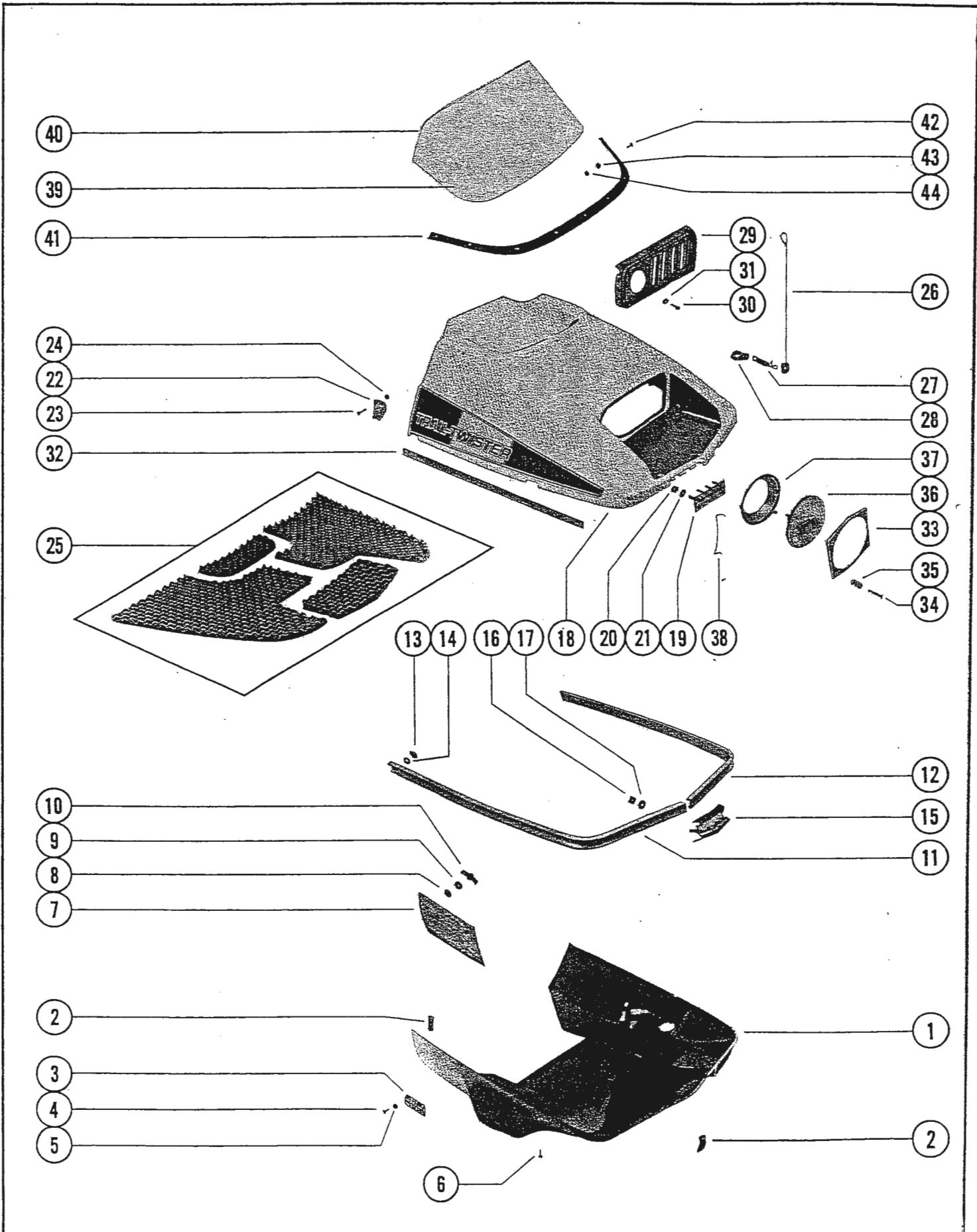
PART NO.	REF. NO.	DESCRIPTION	340 T/T	440 T/T
D-1380-5957	1	Carburetor Assembly, Complete - 340 T/T	2	-
D-1373-6057	1	Carburetor Assembly, Complete - 440 T/T	-	2
D-1393-5858	2	Ring, air funnel	-	2
D-1393-5851	3	Hose, float chamber balance	4	4
D-1393-5487	4	Screw, idle mixture	2	2
D-1393-5486	5	Spring, idle mixture screw	2	-
D-1393-6158	5	Spring, idle mixture screw	-	2
D-1393-6168	6	Screw, idle speed	2	-
D-1393-5501	6	Screw, idle speed	-	2
D-1393-5502	7	Spring, idle speed screw	2	2
D-1393-6163	8	Gasket, float chamber	2	-
D-1393-5849	8	Gasket, float chamber	-	2
D-1393-6170	9	Plate, fuel stabalizer	2	-
D-1393-5857	9	Plate, fuel stabalizer	-	2
D-1393-5474	10	Inlet Needle and Seat	2	2
D-1393-5476	11	Gasket, inlet needle and seat	4	4
D-1393-5874	12	Idle Discharge Jet (No. 30)	2	-
D-1393-5471	12	Idle Discharge Jet (No. 35)	-	2
D-1393-6171	13	Arm, float	2	-
D-1393-5473	13	Arm, float	-	2
D-1393-5850	14	Pin, float arm	2	2
D-1393-6167	15	Float	4	-
D-1393-5491	15	Float	-	4
D-1393-5498	16	Cap, float retaining	-	4
D-1393-6147	17	Main Jet (200) - standard	2	-
D-1393-5506	17	Main Jet (270) - standard	-	2
D-1393-5493	18	Washer, main fuel jet	2	2
D-1393-5852	19	Screw, float chamber	8	8
D-1393-5478	20	Plate, hose retaining	4	4
D-1393-6165	21	Plug, fuel drain	2	-
D-1393-5856	21	Plug, fuel drain	-	2
D-1393-5495	22	Gasket, fuel drain plug	2	2
D-1393-6161	23	Cap, starter plunger cover	2	2
D-1393-6162	24	Adjuster, throttle cable	2	2
D-1393-5482	25	Nut, lock - throttle cable adjuster	2	2
D-1393-5877	26	Retainer, starter plunger shaft	2	2
D-1393-6159	27	Washer, starter plunger retainer	2	-
D-1393-5876	27	Washer, starter plunger retainer	-	2
D-1393-6160	28	Spring, starter plunger shaft	2	2
D-1393-5879	29	Plunger Shaft, starter	2	2
D-1393-6164	30	Cover Assembly, throttle body	2	-
D-1393-5853	30	Cover Assembly, throttle body	-	2
D-1393-5485	31	Spring, throttle valve	2	2
D-1393-6166	32	Plate, throttle cable	2	-
D-1393-5497	32	Plate, throttle cable	-	2
D-1393-5496	33	Ring, retaining	2	2
D-1393-6175	34	Jet Needle	2	-
D-1393-5492	34	Jet Needle	-	2
D-1393-6169	35	Throttle Valve - standard	2	-
D-1393-5854	35	Throttle Valve - standard	-	2
D-1393-6174	36	Needle Jet Tube	2	-
D-1393-5472	36	Needle Jet Tube	-	2

HIGH ALTITUDE PARTS
SEE PAGE 27

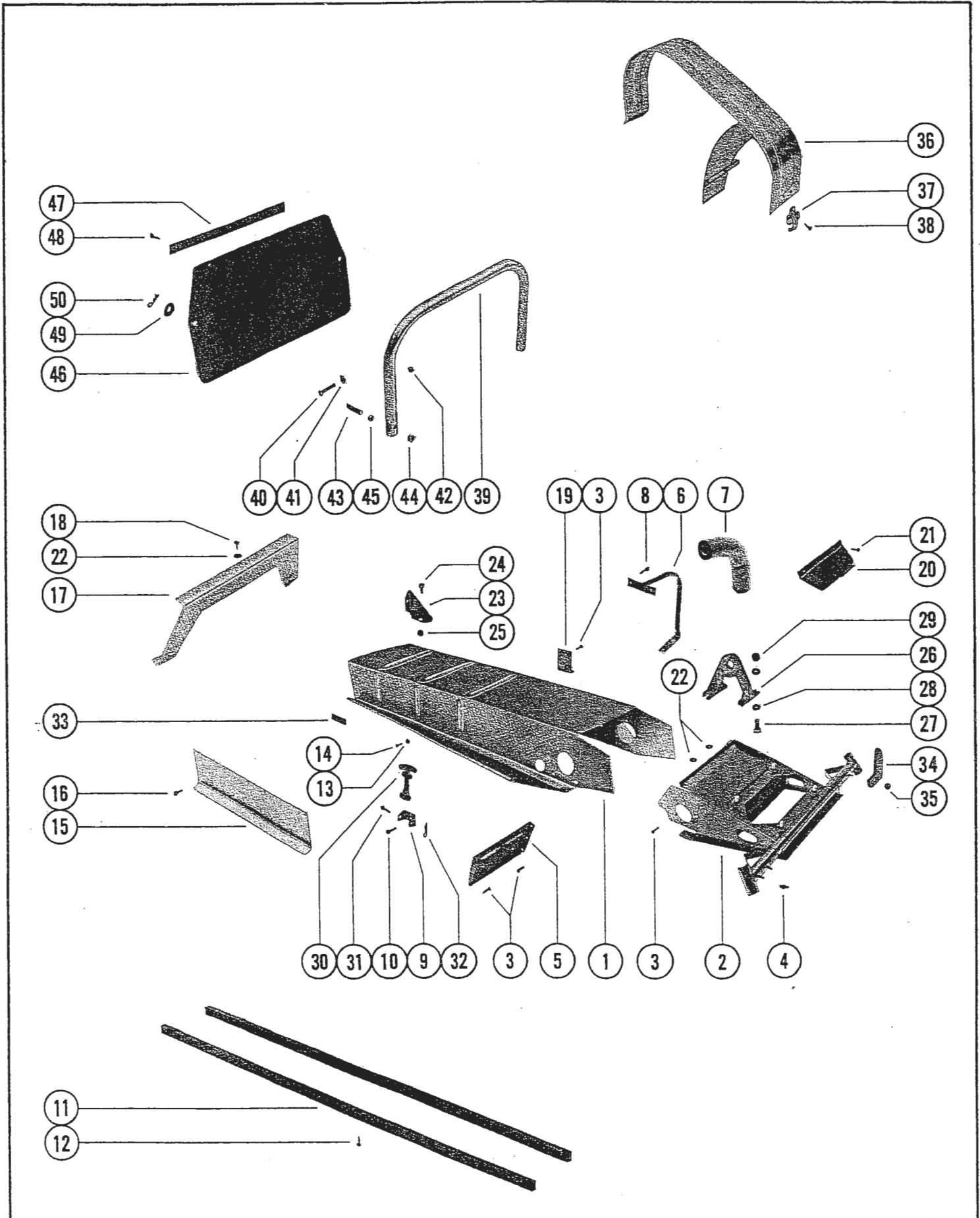
COWLS AND WINDSHIELD

PART NO.	REF. NO.	DESCRIPTION	QUAN.
D-73617	1	Cowl, lower	1
D-70895	2	Bracket, support - lower cowl	4
D-63416-1	3	Reflector, amber - lower cowl	2
C-17-65346	4	Rivet, amber reflector to lower cowl	4
C-12-21273	5	Washer, amber reflector to lower cowl inlet	4
C-17-68230	6	Rivet, bottom cowl to chassis	50
D-74514	7	Shield, lower cowl	1
C-11-53300	8	Nut, lower cowl shield attaching	1
C-12-20722	9	Washer, lower cowl shield attaching	1
C-11-53916	10	Nut, wing - lower cowl shield attaching	1
D-74675	11	Bumper, bottom cowl - right side	1
D-74260	12	Bumper, bottom cowl - left side	1
C-11-20890	13	Nut, bumper attaching	8
C-13-21272	14	Lockwasher, bumper attaching	8
D-70898	15	Bracket, bumper attaching	1
C-11-20190	16	Nut, bumper bracket attaching	4
C-12-21273	17	Washer, bumper bracket attaching	2
D-74034A2	18	Cowl Assembly, top (Without Decals)	1
D-71884	19	Hinge, top cowl	1
C-11-20190	20	Nut, hinge to top cowl	4
C-12-21273	21	Washer, hinge to top cowl	4
D-61364	22	Retainer, cowl latch	2
C-17-53567	23	Rivet, retainer to top cowl	8
C-12-21273	24	Washer, retainer to top cowl rivet	8
D-68371A1	25	Insulation Assembly, sound - top cowl	1
D-72009	26	Lanyard, top cowl stop	1
C-24-72109	27	Spring, lanyard	1
C-26551	28	Bracket, lanyard spring	1
D-74008	29	Trim, air inlet - top cowl	1
C-17-71954	30	Rivet, top cowl trim attaching - bottom and sides	5
C-17-71954	30	Rivet, top cowl trim attaching - top	2
C-12-21273	31	Washer, top cowl trim rivets	2
D-68413-6	32	Moulding, air outlet - top cowl - upper	2
D-68413-6	32	Moulding, air outlet - top cowl - right side	1
D-68413-6	32	Moulding, air outlet - top cowl - left side	1
D-68413-6	32	Moulding, rear trim - top cowl	1
D-67788	33	Rim, mounting - headlight	1
C-10-67789	34	Screw, headlight adjusting	4
C-24-67791	35	Spring, headlight adjusting screw	4
D-88-67793	36	Sealed Beam, headlight	1
D-67792	37	Cover, sealed beam headlight	1
D-67794	38	Retainer, sealed beam cover - headlight	2
D-67947	39	Windshield, top cowl	1
D-62540	40	Moulding, trim - windshield	1
D-68242	41	Trim, windshield retainer	1
C-10-65386	42	Screw, windshield to top cowl (1")	9
C-12-22937	43	Washer, windshield to top cowl screw	9
C-11-46887	44	Nut, windshield to top cowl screw	9

COWLS AND WINDSHIELD



CHASSIS ASSEMBLY



CHASSIS ASSEMBLY

PART NO.	REF. NO.	DESCRIPTION	QUAN.
●D-74001A3	1	Chassis Assembly	1
D-70972	2	Crossmember Assembly, chassis	1
C-17-68245	3	Rivet, crossmember and foot pads to chassis	36
C-22-49099	4	Fitting, grease - crossmember	2
●D-74322	5	Foot Rest, right side	1
●D-74323	5	Foot Rest, left side	1
D-67556	6	Stirrup, chassis	2
D-67561	7	Pad, chassis stirrup	2
C-17-68825	8	Rivet, stirrup to chassis	8
D-67936	9	Bracket, top cowl latch	2
C-17-68825	10	Rivet, top cowl latch to chassis	2
D-70727	11	Wear Strip, chassis - track	2
C-17-71790	12	Rivet, wear strip to chassis	16
D-67634	13	Fastener, seat cushion	22
C-17-58988	14	Rivet, seat cushion fastener to chassis	22
D-70728	15	Wear Plate, chassis	2
C-17-68245	16	Rivet, wear plate to chassis	14
D-67542	17	Bulkhead, chassis - rear	1
C-17-68825	18	Rivet, bulkhead to chassis	6
●D-73955	19	Mount, front control arm to chassis	2
●D-74259	20	Guard, clutch	1
C-17-71954	21	Rivet, clutch guard attaching	2
C-12-21273	22	Washer, front crossmember and rear bulkhead	3
D-67592	23	Bracket, tail light mounting	2
C-10-69022	24	Screw, tail light mounting bracket to chassis (1/2")	2
C-11-20190	25	Nut, tail light mounting bracket screw	4
●D-72960	26	Pillow Block, crossmember	1
C-10-55253	27	Screw, pillow block to chassis (1")	4
C-12-20553	28	Washer, pillow block mounting screw	4
C-11-20509	29	Nut, pillow block mounting screw	4
D-58707	30	Latch, chassis bracket to top cowl bracket	2
C-17-58712	31	Pin, clevis - cowl latch to bracket	2
C-18-58713	32	Hairpin, cowl latch clevis pin	2
D-63416-2	33	Reflector, red	2
D-71650	34	Bracket, bottom cowl and bumper reinforcing - left side	1
D-71651	34	Bracket, bottom cowl and bumper reinforcing - right side	1
C-11-35814	35	Nut, reinforcing bracket to front crossmember stud	4
●D-72993A1	36	Guard Assembly, sheave	1
C-54-71555	37	Clamp, sheave guard	1
C-17-68245	38	Rivet, hinge to sheave guard	8
D-67605	39	Handgrip, rear	1
C-10-20784	40	Screw, handgrip to chassis - upper (1 1/2")	2
C-12-67973	41	Washer, handgrip to chassis screw - upper	2
C-11-53210	42	Nut, handgrip to chassis screw - upper	2
C-10-67952	43	Screw, handgrip to chassis - lower (2 11/16")	2
C-11-24883	44	Nut, jam - handgrip to chassis screw (lower)	2
C-11-49197	45	Nut, eslok - handgrip to chassis screw	2
D-70875	46	Snow Flap	1
D-67945	47	Doubler, snow flap	1
C-17-64817	48	Rivet, doubler to snow flap	3
C-12-48241	49	Washer, snow flap to lower handgrip screw	2
C-18-58181	50	Hairpin, snow flap to lower handgrip screw	2

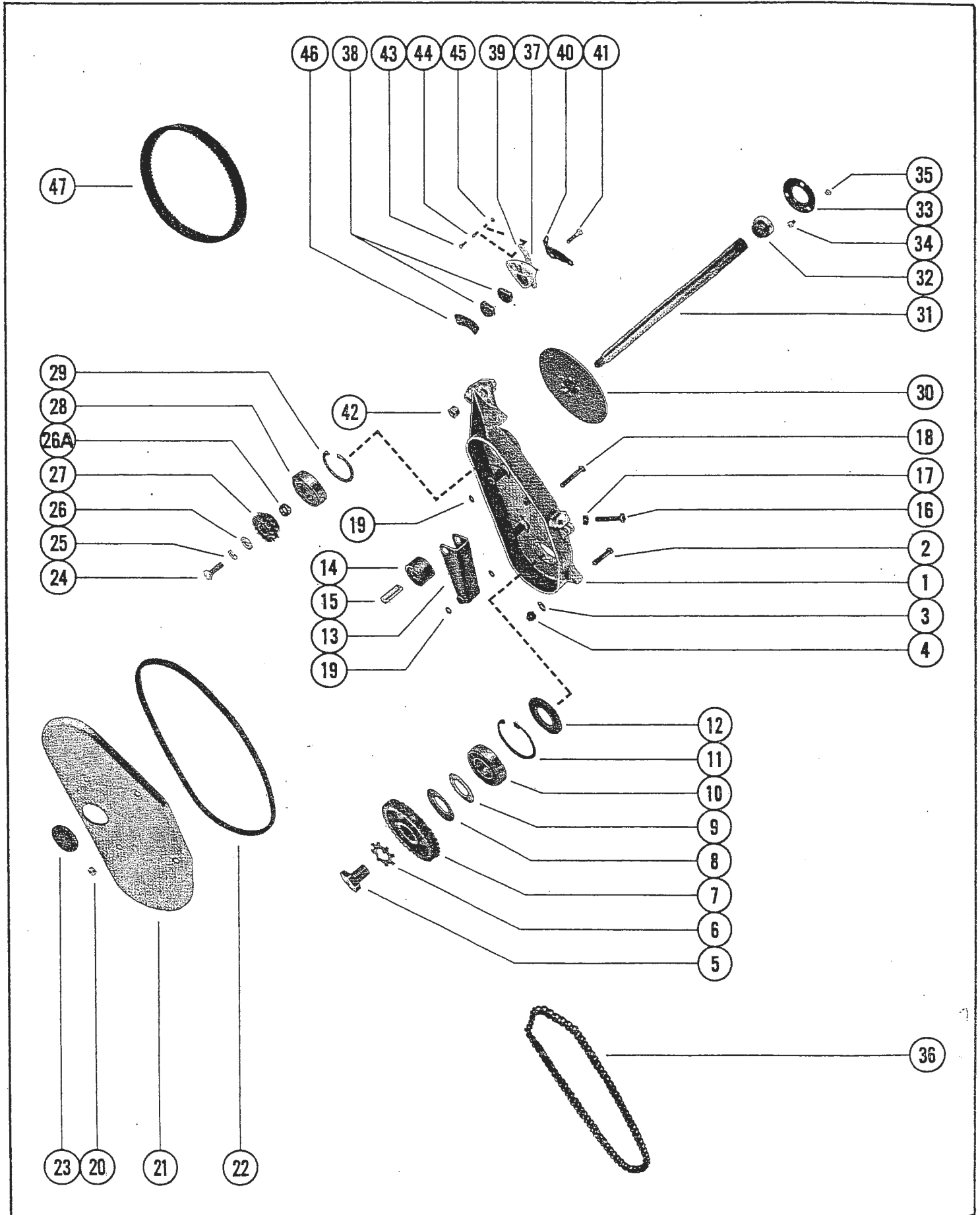
CHAINCASE, SPROCKETS AND BRAKE

PART NO.	REF. NO.	DESCRIPTION	QUAN.
D-72959	1	Chaincase	1
C-10-58714	2	Screw, chassis to chaincase (1 1/4")	5
C-12-20086	3	Washer, chassis to chaincase screw	5
C-11-23161	4	Nut, chassis to chaincase screw	5
C-10-67571	5	Screw, sprocket to drive shaft (1")	1
C-14-61371	6	Tab Washer, drive shaft screw	1
D-67570	7	Sprocket, drive shaft (34 teeth)	1
C-12-67569	8	Washer, wave - sprocket to chaincase	1
C-12-67636	9	Washer, sprocket to chaincase	1
C-30-67733	10	Ball Bearing, drive shaft	1
C-53-55626	11	Snap Ring, drive shaft bearing retainer	1
C-26-67924	12	Oil Seal, chaincase	1
D-67581	13	Bracket, tensioner - drive chain	1
D-67585	14	Idler Wheel, chain tensioner	1
D-67584	15	Pin, idler wheel to tension bracket	1
C-10-67937	16	Screw, tensioner adjustment (3 1/2")	1
C-11-32219	17	Nut, jam - tensioner adjustment screw	1
C-10-69094	18	Screw, chaincase cover to chaincase (1 7/8")	4
C-26-34217	19	Seal, chaincase cover screws	5
C-11-62771	20	Nut, chaincase cover to chaincase screw	4
D-67587	21	Cover, chaincase	1
D-70880	22	Seal, chaincase to chaincase cover	1
D-58404	23	Cap, chaincase cover	1
C-10-67956	24	Screw, sprocket to driven shaft (1")	1
C-13-35048	25	Lockwasher, sprocket to driven shaft screw	1
C-12-55149	26	Washer, sprocket to driven shaft screw	1
C-23-69842	26A	Spacer, sprocket	1
D-69757A17	27	Sprocket, driven shaft (17 teeth)	1
D-69757A18	27	Sprocket, driven shaft (18 teeth)	1
C-30-67735	28	Ball Bearing, driven shaft	1
C-53-23721	29	Snap Ring, bearing retainer	1
D-73996A1	30	Brake Disc, drive shaft	1
D-45-74368	31	Shaft, driven	1
C-30-67734	32	Ball Bearing, driven shaft	1
D-67768	33	Retainer, driven shaft brg.	2
C-10-62049	34	Screw, bearing retainer (1")	3
C-11-35814	35	Nut, bearing retainer screw	3
D-71483	36	Chain, drive (78 pitch length)	1
D-69514	36	Chain, drive (76 pitch length)	Opt.
D-68126	37	Brake Assembly	1
D-73706	38	Disc, brake	2
D-70784	39	Arm, brake actuating	1
D-68128	40	Bracket, brake cable mounting	1
C-10-53833	41	Screw, brake and cable mounting bracket to chaincase	1
C-11-23161	42	Nut, brake and mounting bracket screw	2
C-10-31919	43	Screw, clevis to actuating arm (3/4")	1
C-23-61329	44	Bushing, clevis to actuating arm	1
C-11-46438	45	Nut, clevis to actuating arm screw	1
D-73381	46	Spacer, brake assembly to chaincase	AR
D-57-74294	47	Belt, variable speed (drive) - Goodyear	1
D-57-74293	47	Belt, variable speed (drive) - Dayco	Opt.

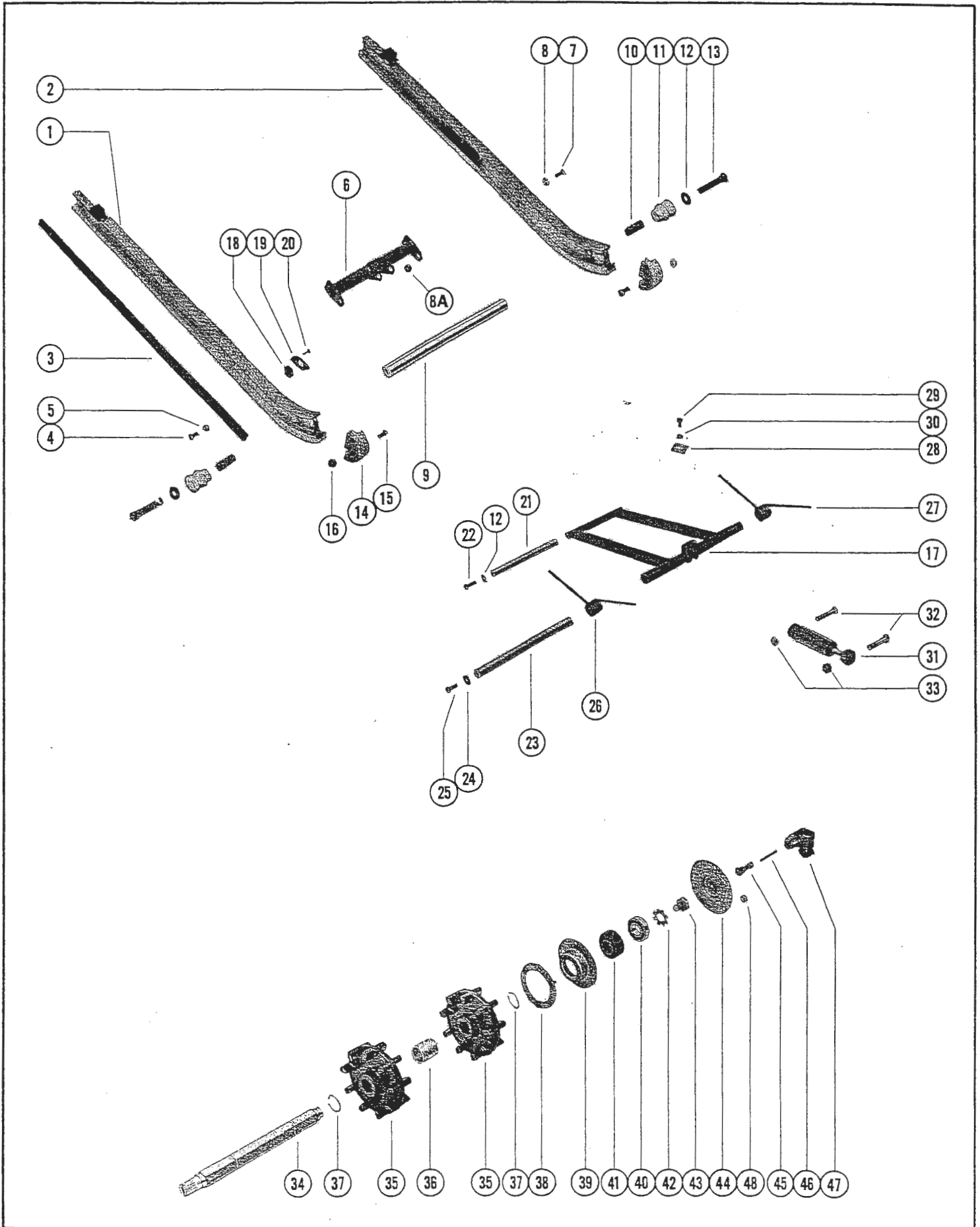
OPTIONAL SPROCKETS

D-64131	Sprocket (16 Teeth)
D-63318A1	Sprocket (15 Teeth)
D-64684	Sprocket (14 Teeth)
D-68439	Sprocket (13 Teeth)
D-69757A12	Sprocket (12 Teeth)

CHAINCASE, SPROCKETS AND BRAKE



SLIDE SUSPENSION FRAME (FRONT)



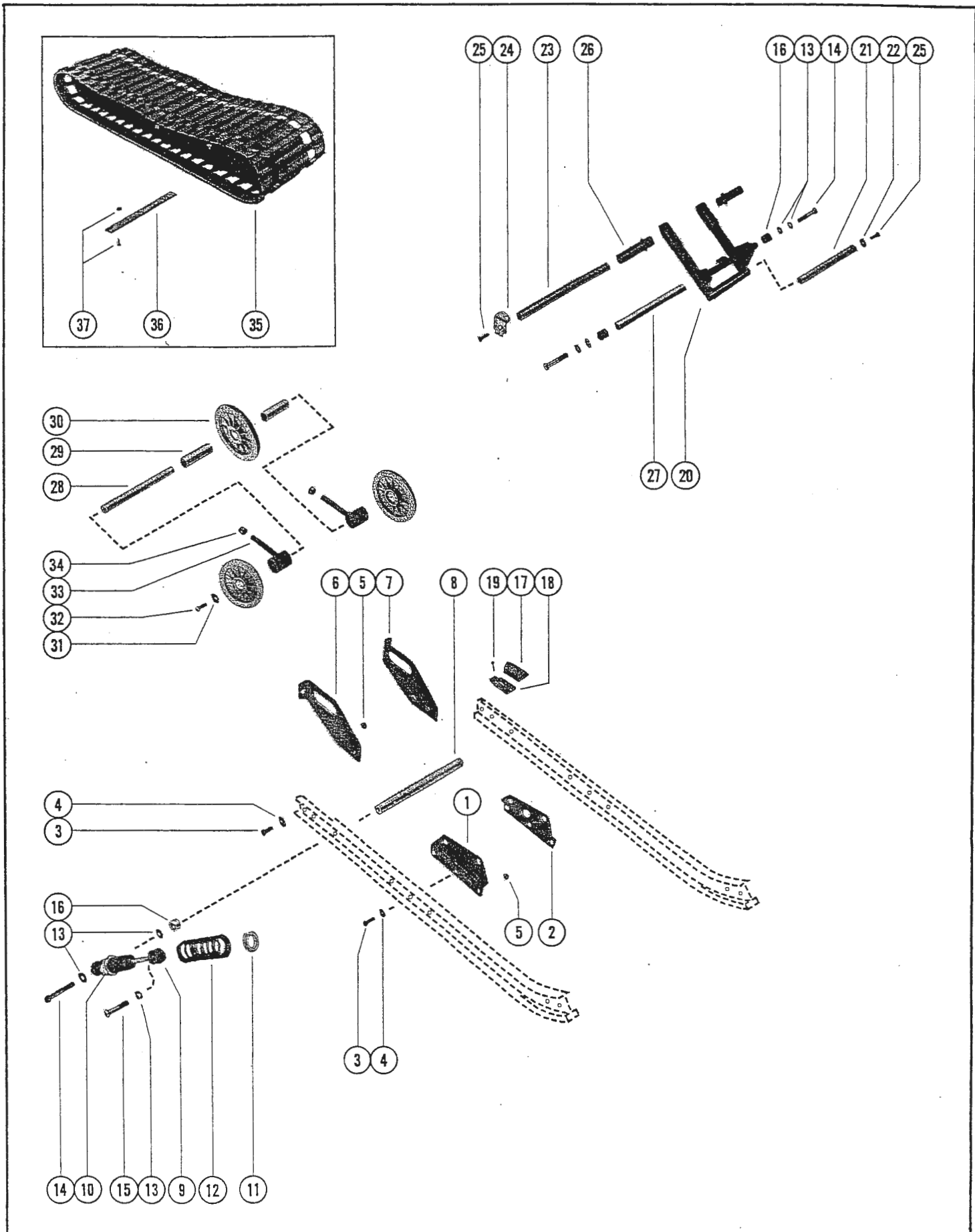
SLIDE SUSPENSION FRAME (FRONT)

PART NO.	REF. NO.	DESCRIPTION	QUAN.
●D-73486A3	1	Support Rail, right side	1
●D-73485A2	2	Support Rail, left side	1
●D-73489A1	3	Wear Bar, support rail (consists of 2 bars)	1
●C-10-73484	4	Screw, wear bar attaching (7/8")	4
C-11-20190	5	Nut, wear bar attaching screw	4
●D-72752	6	Crosstube, shock mounting	1
C-10-35786	7	Screw, crosstube attaching (1")	2
C-12-25909	8	Washer, crosstube attaching screw	2
C-11-23161	8A	Nut, crosstube attaching screw	2
D-71066	9	Shaft, front shock mount	1
D-71122	10	Tube, spring rest support	2
●D-73762	11	Rest, spring	2
C-12-27025	12	Washer, pivot shaft screw	4
C-10-67955	13	Screw, spring rest attaching (2 1/2")	2
D-71118	14	End Cap, slide frame	2
C-10-20189	15	Screw, end cap to slide rail (3/4")	4
C-11-20190	16	Nut, end cap to slide rail screw	4
●D-73749A1	17	Control Arm Assembly, front	1
D-71184	18	Bumper, control arm	2
●D-73781	19	Retainer, control arm bumper	2
C-17-63410	20	Rivet, retainer and bumper attaching	8
D-71065	21	Shaft, pivot - control arm	1
C-10-67953	22	Screw, pivot shaft to slide frame (1 1/4")	2
●D-74306	23	Shaft, pivot - front control arm	1
C-12-48241	24	Washer, front pivot shaft screw	4
C-10-67951	25	Screw, front shaft attaching (1 1/4")	4
●C-24-74016	26	Spring, support rail - right side	1
●C-24-74015	27	Spring, support rail - left side	1
A-67612A2	28	Mount Assembly, slide suspension spring	2
C-10-26801	29	Screw, spring mount assembly to chassis (5/8")	2
C-12-48241	30	Washer, spring mount screw	2
●D-55-73780	31	Shock Absorber, front	1
C-10-32995	32	Screw, shock absorber mounting (2")	2
C-11-34933	33	Nut, shock absorber screw	2
D-45-67564	34	Drive Shaft, snow track	1
D-67565A1	35	Sprocket Assembly, drive shaft (consists of 2 sprockets)	1
D-67566	36	Spacer, sprocket - drive shaft (1 29/32")	1
C-53-69121	37	Snap Ring, sprocket retaining	2
D-68514	38	Ring, drive shaft	1
D-59428	39	Retainer, drive shaft bearing	1
C-30-67733	40	Ball Bearing, drive shaft	1
D-58403	41	Mount, rubber - drive shaft bearing	1
C-14-61371	42	Tab Washer, drive shaft	1
C-10-67571	43	Screw, drive shaft	1
D-59427	44	Cover, drive shaft bearing - 340 T/T	1
D-72141	44	Cover, drive shaft bearing - 440 T/T	1
D-53978	45	Bushing, speedometer drive	1
D-60026	46	Key, drive - speedometer	1
●D-74254	47	Angle Drive, speedometer } 440 T/T	1
C-11-45592	48	Nut, cover to retainer	3

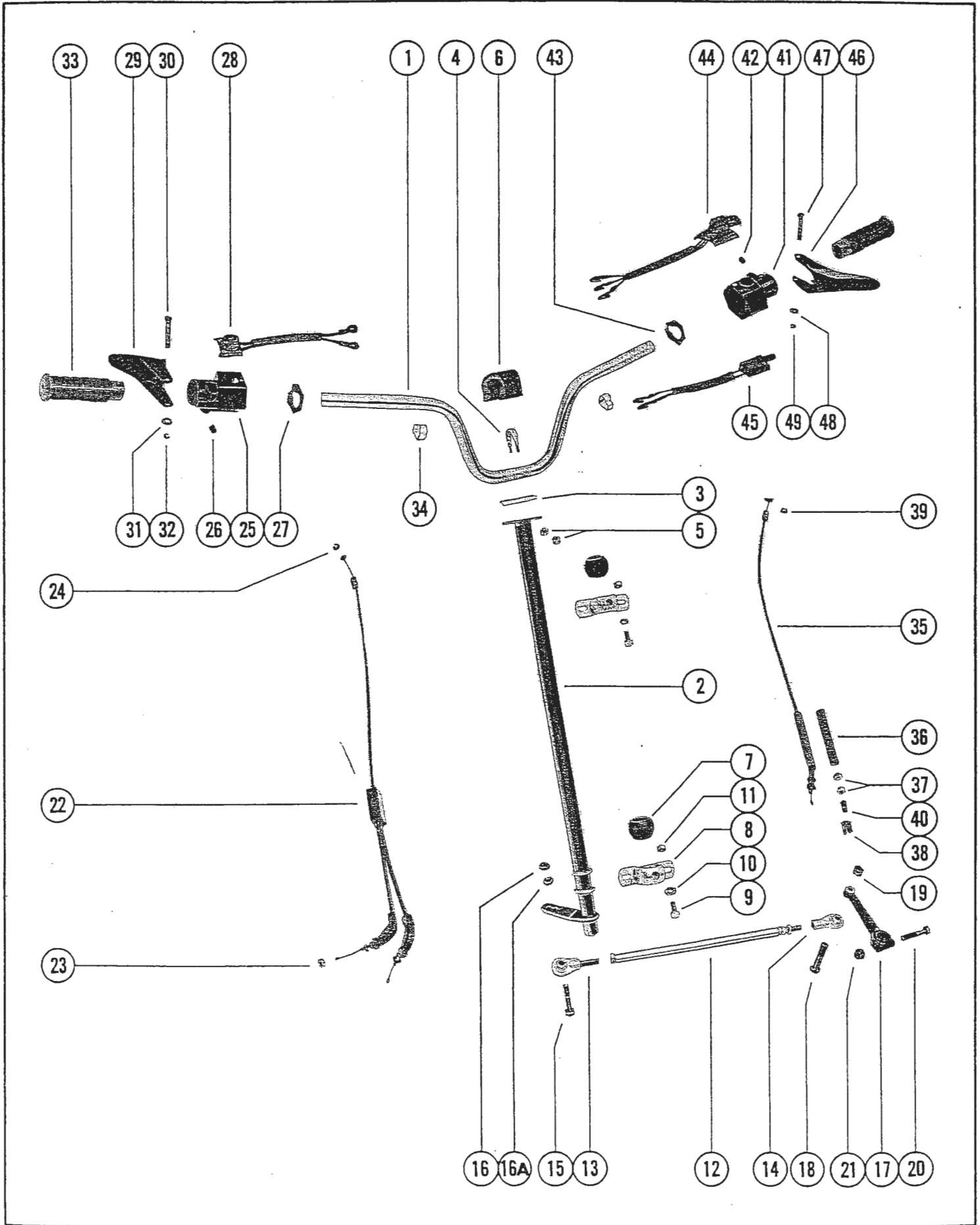
SLIDE SUSPENSION (REAR) AND BOGIE WHEEL KIT

PART NO.	REF. NO.	DESCRIPTION	QUAN.
●D-71021	1	Bracket, support rail - right side	1
●D-71020	2	Bracket, support rail - left side	1
C-10-35786	3	Screw, support rail attaching	12
C-12-25909	4	Washer, support rail attaching screw	12
C-11-23161	5	Nut, support rail attaching screw	12
●D-73460	6	Rear Bracket - right side	1
●D-73459	7	Rear Bracket - left side	1
●D-74162	8	Shaft, shock absorber mounting	1
●D-55-73779	9	Shock Absorber, slide suspension	1
D-68597	10	Cam, spring adjustment	2
D-67057	11	Retainer, spring	2
C-24-67436	12	Spring, shock absorber	2
C-12-27025	13	Washer, shock absorber mounting screw	8
●C-10-74161	14	Screw, shock mounting (4") - lower	2
C-10-67955	15	Screw, shock mounting (2 1/2") - upper	2
D-71152	16	Spacer, shock mounting	2
D-70651	17	Bumper, slide rail	2
D-70650	18	Retainer, bumper	2
C-17-65346	19	Rivet, bumper retainer to rail	4
●D-72546	20	Control Arm, rear	1
D-71068	21	Shaft, rear control arm	1
C-12-25909	22	Washer, shaft attaching screw	2
●D-73793	23	Shaft, rear control arm	1
●D-73355	24	Guide, track	2
C-10-67951	25	Screw, control shaft - front	2
●D-73792	26	Spacer, idler wheel - outer	2
●D-73352	27	Shaft, rear control arm	1
D-67415	28	Axle, idler wheel - slide suspension	1
D-71048	29	Spacer, idler wheel	2
D-67416	30	Idler Wheel, rear axle	3
C-12-70936	31	Washer, idler wheel	2
C-10-67951	32	Screw, idler wheel axle	2
D-71116	33	Spacer, tracket adjustment	2
C-11-23161	34	Nut, track adjustment spacer	2
●D-74398A1	35	Snow Track	1
●D-74838A1	36	Track Bar Assembly	AR
D-68786	37	Fastener, track bar	AR
●D-75060A1	--	Bogie Wheel Kit	Opt.

SLIDE SUSPENSION (REAR) AND BOGIE WHEEL KIT



HANDLEBAR AND STEERING LINKAGE



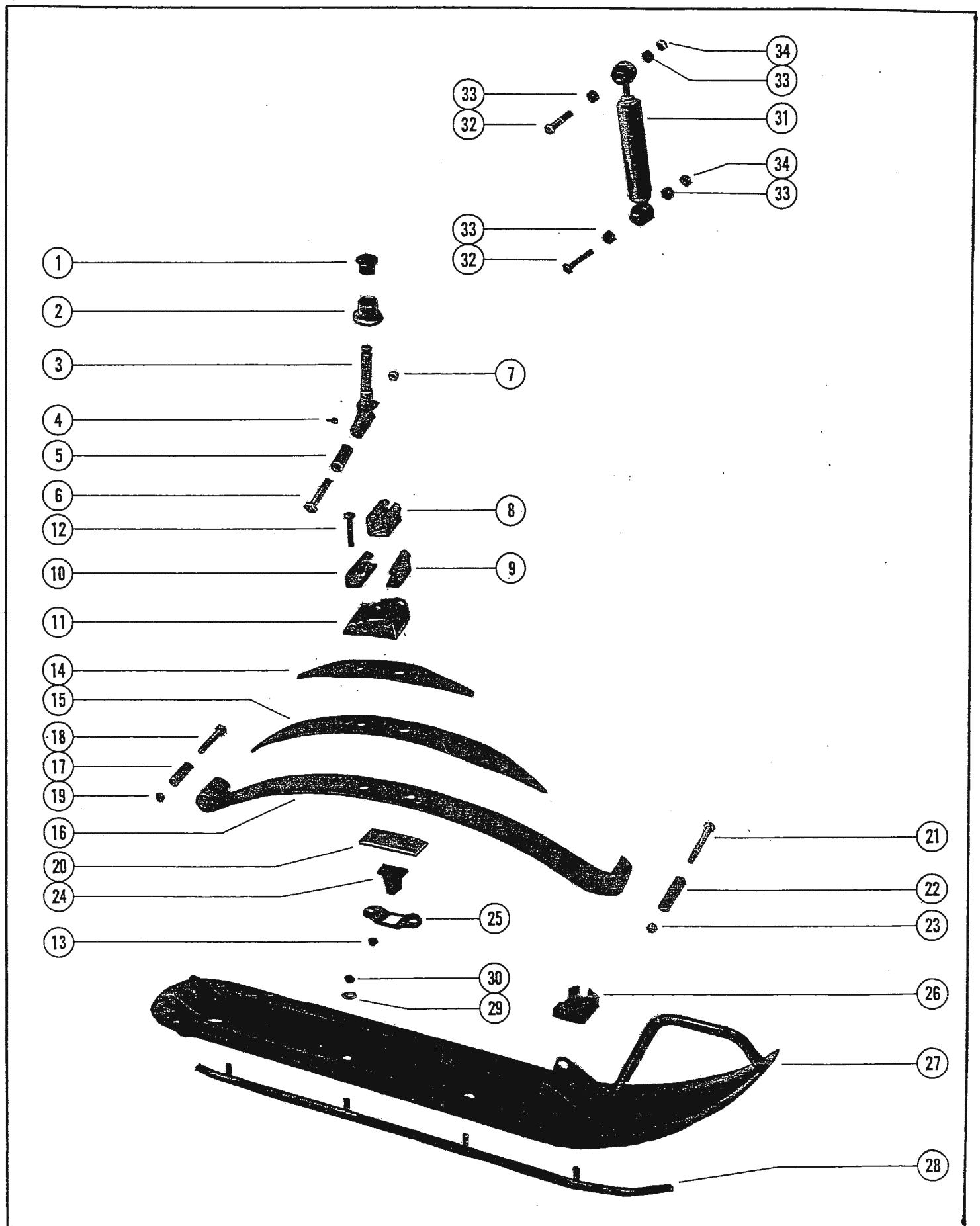
HANDLEBAR AND STEERING LINKAGE

PART NO.	REF. NO.	DESCRIPTION	QUAN.
D-67602	1	Handlebar, steering shaft	1
●D-72968	2	Steering Shaft	1
D-67603	3	Clamp, handlebar to steering shaft	1
C-10-70701	4	"U" Clamp, handlebar to steering shaft	2
C-11-67980	5	Nut, handlebar to steering shaft "U" clamp	4
D-72165	6	Cover, handlebar	1
C-23-48957	7	Bushing, steering shaft mounting bracket	2
D-69148	8	Pillow Block, mounting - steering shaft	2
C-10-69088	9	Screw, mounting bracket to dash support	4
C-12-57792	10	Washer, mounting bracket to dash support screw	4
C-11-35814	11	Nut, mounting bracket to dash support screw	4
D-67912	12	Tie Rod Assembly	2
D-67598	13	End Assembly, tie rod - right hand (male)	2
D-67599	14	End Assembly, tie rod - left hand (female)	2
C-10-29096	15	Screw, steering shaft to tie rod end (2 1/2")	1
C-11-23161	16	Nut, steering shaft to tie rod end screw	1
C-11-20101	16A	Nut, steering shaft to tie rod end screw	1
D-66766	17	Arm, steering	2
C-10-53833	18	Screw, steering arm to end assembly (2")	2
C-11-23161	19	Nut, steering arm to end assembly screw	2
C-10-31830	20	Screw, steering arm to spindle (1 7/8")	2
C-11-49197	21	Nut, steering arm to spindle screw	2
D-67540	22	Cable, throttle control	1
C-11-68595	23	Nut, jam - throttle cable to carburetor	2
C-53-68594	24	Snap Ring, throttle cable to throttle lever	1
●D-73753	25	Throttle Control Lever Assembly	1
●C-10-74936	26	Screw, set - throttle control mount to handlebar	1
●D-74935	27	Cover, throttle control mount	1
●D-87-74937	28	Kill Switch	1
●D-74931	29	Lever, throttle control	1
●C-17-74932	30	Pin, throttle control lever attaching	1
●C-12-74933	31	Washer, throttle control lever pin	1
●C-53-74934	32	Ring, retaining - throttle lever pin	1
D-64349	33	Grip, handlebar	2
C-54-68448	34	Clip, brake and throttle control leads to handlebar	2
D-68129	35	Cable, brake control	1
C-24-68593	36	Spring, reinforcing - brake cable	1
C-11-28770	37	Nut, brake cable to mounting bracket	1
D-61380	38	Clevis, brake cable mounting	1
C-53-68594	39	Snap Ring, brake cable to brake lever	1
●C-24-74269	40	Spring, brake cable return	1
●D-73754A1	41	Brake Control Lever Assembly	1
C-10-74936	42	Screw, set - brake control mount to handlebar	1
●D-74939	43	Cover, brake control mount	1
●D-87-74940	44	Dimmer Switch	1
●D-87-74941	45	Brake Switch	1
●D-74938	46	Lever, brake control	1
C-17-74932	47	Pin, brake control lever attaching	1
C-12-74933	48	Washer, brake control lever pin	1
C-53-74934	49	Ring, retaining - brake lever pin	1

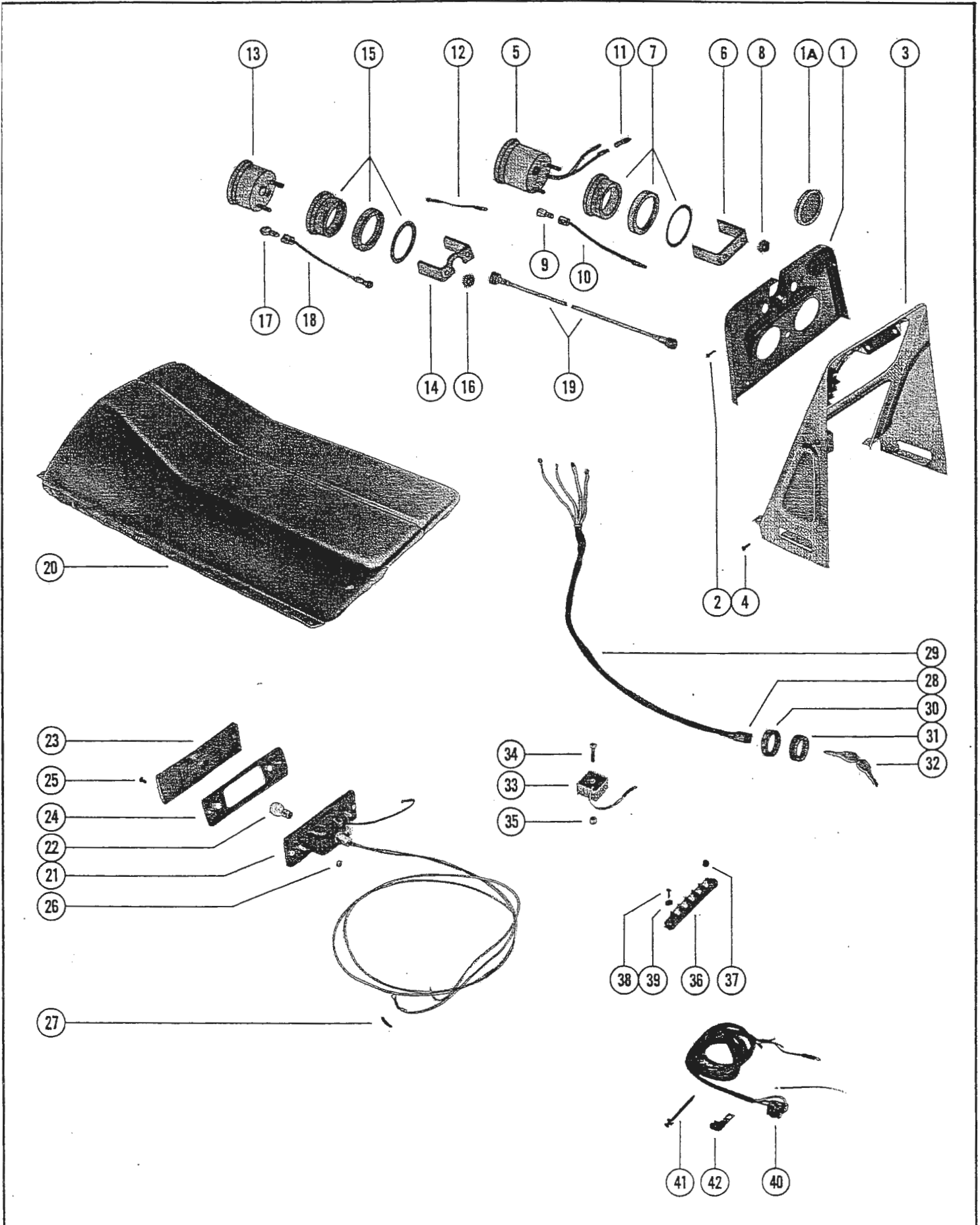
STEERING SPINDLE AND SKI ASSEMBLY

PART NO.	REF. NO.	DESCRIPTION	QUAN.
C-23-67553	1	Bushing, steering spindle (upper)	2
C-23-67554	2	Bushing, steering spindle (lower)	2
D-66767	3	Spindle, steering	2
C-22-31345	4	Fitting, grease - steering spindle	2
C-23-67721	5	Spacer, steering spindle	2
C-10-61087	6	Screw, steering spindle to ski (3")	2
C-11-34933	7	Nut, steering spindle screw	2
D-71444	8	Bumper, ski	2
D-71445	9	Retainer, front	2
D-71446	10	Retainer, rear	2
D-67473	11	Pivot, leaf spring and shock mount	2
C-10-52498	12	Screw, pivot and leaf spring (1 1/2")	4
C-11-34933	13	Nut, pivot and leaf spring clamping screw	4
C-24-71485	14	Spring, leaf (#3)	2
C-24-71486	15	Spring, leaf (#2)	2
C-24-67472	16	Spring, leaf (#1)	2
C-23-56727	17	Bushing, bottom leaf spring (rear)	2
C-10-52409	18	Screw, leaf spring to ski - rear (3 1/4")	2
C-11-23161	19	Nut, rear leaf spring screw	2
D-70953	20	Plate, back - leaf spring pivot	2
C-10-49293	21	Screw, leaf spring to ski (front) (3")	2
C-23-56744	22	Bushing, bottom leaf spring (front)	2
C-11-23161	23	Nut, front leaf spring screw	2
D-53288	24	Bumper, rubber - leaf spring	2
D-71484	25	Retainer, leaf spring bumper	2
D-67474	26	Wear Strip, ski - front	2
D-67960A1	27	Ski Assembly	2
D-67961	28	Wear Skeg Assembly, ski	2
C-12-63034	29	Washer, wear skeg stud	8
C-11-52677	30	Nut, wear skeg stud	8
C-55-67520	31	Shock Absorber	2
C-10-61087	32	Screw, shock absorber to ski (3")	4
C-23-68828	33	Spacer, shock absorber	8
C-11-34933	34	Nut, shock absorber screw	4

STEERING SPINDLE AND SKI ASSEMBLY



DASHBOARD, WIRING HARNESS AND SEAT CUSHION



DASHBOARD, WIRING HARNESS AND SEAT CUSHION

PART NO.	REF. NO.	DESCRIPTION	QUAN.
D-72120	1	Dashboard	1
D-66839	1A	Cap, dash	2
C-17-68230	2	Rivet, dashboard to dash support	4
D-67555A1	3	Dash Support Assembly	1
C-17-68245	4	Rivet, dash support to chassis	14
D-79-71185A1	5	Tachometer	1
D-72580	6	Bracket, tachometer	1
D-72583A1	7	Mount Assembly	1
C-11-72586	8	Nut, bracket terminals	2
C-32878	9	Light Bulb, tachometer	1
D-72581	10	Socket and Cable Assembly, light bulb	1
D-57908-2	11	Sleeve, heat reactive - terminals	3
D-84-60466A7	12	Cable, ground strap	1
D-79-71186	13	Speedometer	1
D-72576	14	Bracket, speedometer	1
D-72583A1	15	Mount Assembly	1
C-11-72586	16	Nut, bracket terminals	2
C-32878	17	Light Bulb, speedometer	1
D-72578	18	Socket and Cable Assembly, light bulb	1
D-71187	19	Cable, drive - speedometer	1
D-70804	20	Seat Cushion	1
D-88-70992	21	Tail and Stop Light Assembly	1
D-88-65361	22	Light Bulb, tail and stop light	1
D-67804	23	Lens, tail and stop light	1
C-27-67803	24	Gasket, tail and stop light	1
C-10-67805	25	Screw, lens and gasket attaching (3/8")	2
C-11-20190	26	Nut, tail and stop light to chassis mount	2
D-57908-2	27	Sleeve, heat reactive - brake and tail light harness	2
D-87-64132	28	Switch, key	1
D-84-70994	29	Harness, key switch	1
C-23-63425	30	Spacer, key switch	1
D-63423	31	Bezel, key switch	1
D-63270	32	Key, ignition switch	1
D-69362A1	33	Voltage Regulator Assembly	1
C-10-35156	34	Screw, voltage regulator attaching (1 1/4")	1
C-11-53210	35	Nut, voltage regulator attaching screw	1
D-86-68160	36	Terminal Block	1
C-11-21806	37	Nut, terminal block	5
C-17-53567	38	Rivet, terminal block to dash support	2
C-12-21273	39	Washer, terminal block to dash support rivet	2
D-84-70991	40	Wiring Harness	1
D-61990	41	Sta-Strap, wiring harness	10
C-54-64235-1	42	"J" Clip, headlight harness to cowl hinge bolt (1/4")	2
C-54-63153	42	"J" Clip, headlight harness to cowl hinge (13/64")	7
C-54-46997	42	"J" Clip, headlight harness to cowl hinge (13/64")	2
C-54-47483	42	Clip, engine harness attaching	2

440 T/T

NOTE: When ordering replacement keys, also list letter stamped on key. Example: D-63270-W

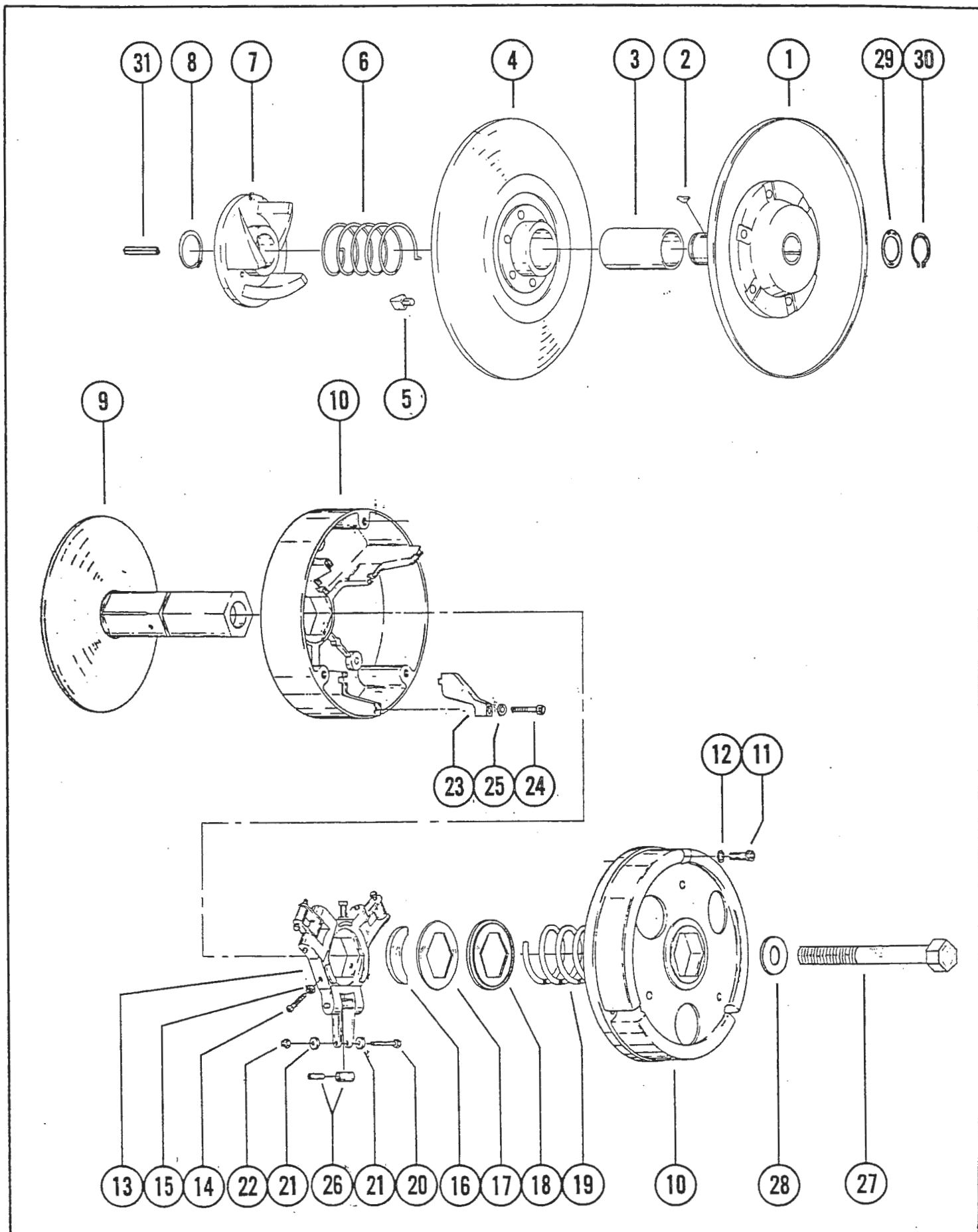
DRIVE SHEAVE AND DRIVEN SHEAVE ASSEMBLY

PART NO.	REF. NO.	DESCRIPTION	QUAN.
D-52-74385	-	Sheave Assembly, driven	1
D-74115	1	Sheave and Hub Assembly, driven - fixed	1
C-28-74116	2	Key, locating - sliding driven sheave	1
C-23-74117	3	Bushing, sheave	1
D-74118	4	Sheave Assembly, driven - sliding	1
D-74119	5	Wear Plate, sliding driven sheave	3
D-24-74120	6	Spring, return - sliding driven sheave	1
D-74121	7	Bracket, torque	1
D-53-74122	8	Ring, retaining - torque bracket	1
D-52-74255	-	Sheave Assembly, drive - 340 T/T	1
D-52-74256	-	Sheave Assembly, drive - 440 T/T	1
D-71719	9	Face and Hub Assembly, fixed	1
D-71720A1	10	Cover Assembly, drive sheave	1
C-10-71726	11	Screw, cover attaching	3
C-12-71728	12	Washer, cover attaching screw	3
D-71721	13	Spider, sliding driver sheave	1
C-10-71714	14	Screw, spider attaching	3
C-11-71727	15	Nut, spider attaching screw	3
C-53-71723	16	Ring, split-spider	1
C-23-71729	17	Spacer, spring	AR
C-12-71730	18	Washer, spring	1
C-24-71517	19	Spring, fixed face hub	1
C-17-71718	20	Pin, clutch weight to arm	3
D-71717	21	Clutch Weight - 340 T/T (106)	6
D-74125	21	Clutch Weight - 440 T/T (286)	6
C-11-71713	22	Nut, roller arm	3
D-74123	23	Ramp, cover assembly - 340 T/T (292)	3
D-74124	23	Ramp, cover assembly - 440 T/T (293)	3
C-10-71725	24	Screw, arm attaching	3
C-13-26995	25	Lockwasher, arm attaching screw	3
D-71724	26	Roller Assembly, spider	1
C-10-71741	27	Screw, drive unit to crankshaft	1
C-12-71742	28	Lockwasher, drive unit screw	1
C-12-67568	29	Washer, driven sheave	AR
C-53-36128	30	Ring, retaining - driven sheave	1
C-28-74372	31	Key, driven shaft to driven sheave	1

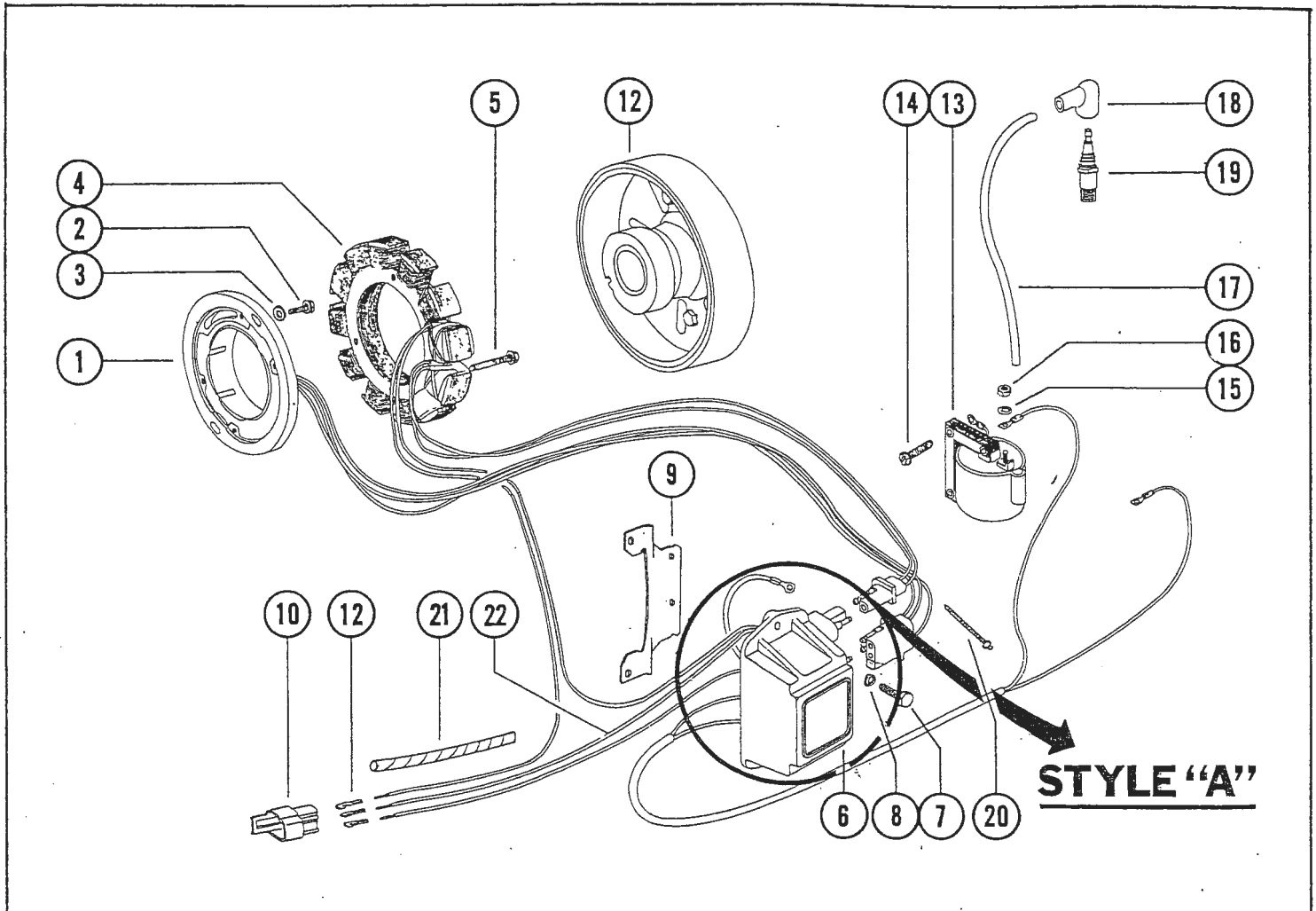
To maintain peak snowmobile performance when operating at high altitude (5000 feet and above), the following parts must be installed.

340 T/T			440 T/T		
	QUAN.			QUAN.	
D-1393-6150A1	1	Carburetor Kit	D-1393-5874A2	1	Carburetor Kit
D-1393-6143	2	Main Jet (160)	D-1393-5873	2	Main Jet (240)
D-1393-6145	2	Main Jet (180)	D-1393-5874	2	Pilot Jet (30)
N.S.S.	2	Needle Jet	D-71716A1	1	Clutch Kit
N.S.S.	2	Pilot Jet (25)	D-71716	6	Weight (105)
D-74124A1	1	Clutch Kit	D-71734	6	Weight (123)
D-74124	3	Ramp (293)	D-23-71729	2	Spacer
D-71736	6	Weight (107)	D-63318A1	1	Sprocket (15)
D-71737	6	Weight (135)	D-69514	1	Chain (76 P.L.)
D-23-71729	2	Spacer			
D-64684	1	Sprocket (14)			
D-69514	1	Chain (76 P.L.)			

DRIVE SHEAVE AND DRIVEN SHEAVE ASSEMBLY



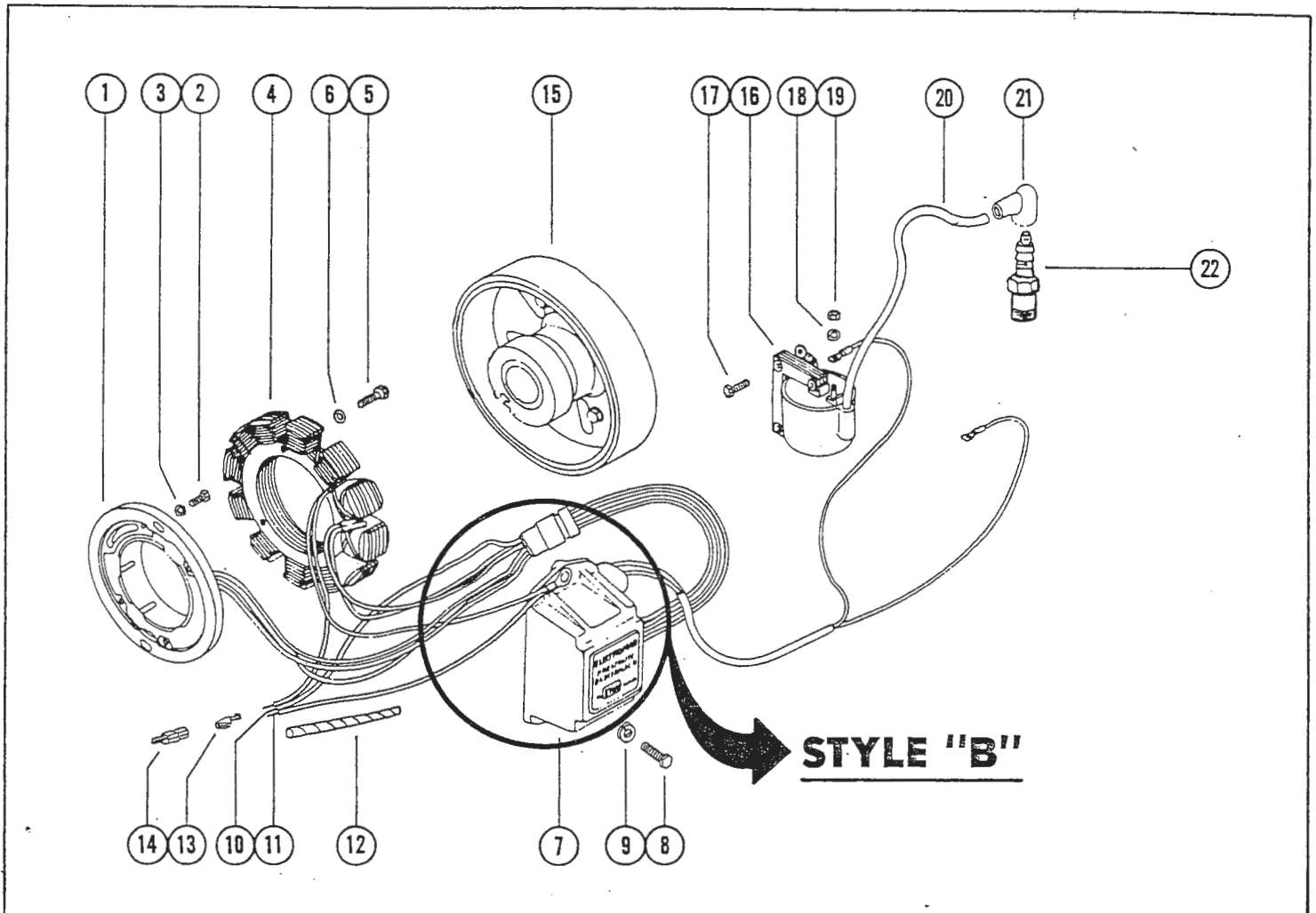
IGNITION COIL, TRIGGER AND FLYWHEEL ASSEMBLY



PART NO.	REF. NO.	DESCRIPTION	QUAN.
D-67851	1	Trigger Plate Assembly	1
C-10-69982	2	Screw, trigger plate to bell housing	2
C-12-71240	3	Washer, trigger plate to bell housing screw	2
D-67857	4	Stator, ignition	1
C-10-67869	5	Screw, stator to bell housing	4
D-67856	6	Electronic Pack	1
C-10-67181	7	Screw, electronic pack to engine	2
C-12-67187	8	Lockwasher, electronic pack to engine screw	2
D-71765	9	Mounting Plate, electronic pack	1
C-85-62761	10	Insulator, wiring harness	1
C-86-62725	11	Connector, harness	3
D-67860	12	Flywheel	1
D-67852	13	Ignition Coil	2
C-10-68565	14	Screw, ignition coil to coil mounting bracket	8
C-13-68566	15	Lockwasher, ignition coil terminal	2
C-11-68564	16	Nut, ignition coil terminal	2
A-84-63212A2	17	Lead Assembly, high tension (17')	2
A-47604A1	18	Protector Assembly, high tension lead	2
C-33-73271	19	Spark Plug	2
D-61990	20	Sta-Strap, harness to mounting plate	2
D-38473	21	Spiral Wrap, harness	1
A-84-72602	22	Lead Assembly, white	1

STYLE "A"
PLUG IN CONNECTION
AT SWITCH BOX

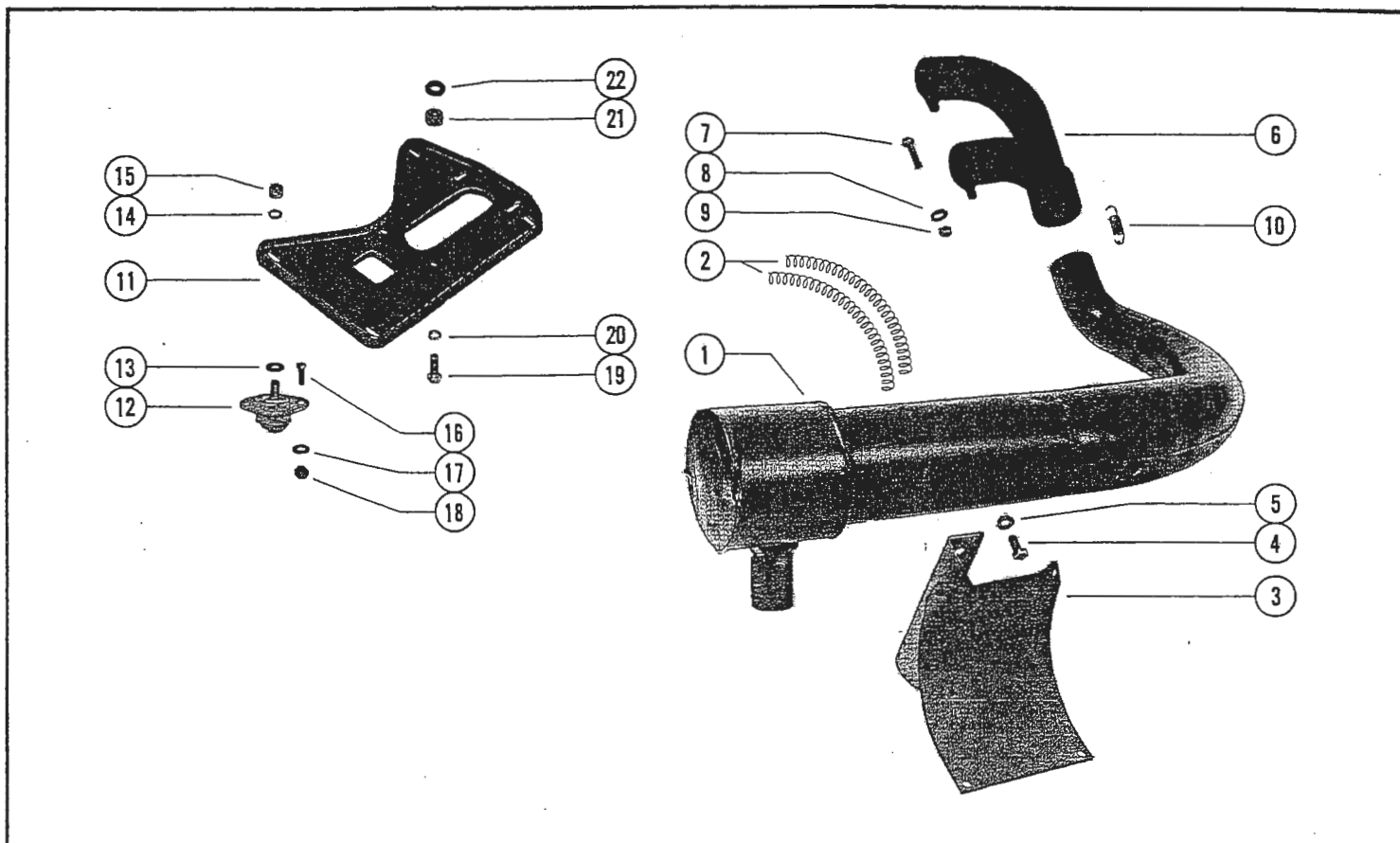
IGNITION COIL, TRIGGER AND FLYWHEEL ASSEMBLY



PART NO.	REF. NO.	DESCRIPTION	QUAN.
D-72600	1	Trigger Plate Assembly	1
C-10-69982	2	Screw, trigger plate to bell housing	2
C-12-71240	3	Washer, trigger plate to bell housing screw	2
D-72599	4	Stator, ignition	1
C-10-67869	5	Screw, stator to bell housing	4
C-12-71240	6	Washer, stator to bell housing screw	4
D-72598	7	Electronic Pack	1
C-10-67187	8	Screw, electronic pack to engine	2
C-12-67187	9	Lockwasher, electronic pack to engine screw	2
C-84-72601	10	Lead Assembly, black	1
C-84-72602	11	Lead Assembly, white	1
C-38473	12	Spiral Wrap, harness	2
C-86-62725	13	Connector, harness	3
C-85-62761	14	Insulator, wiring harness	1
D-67860	15	Flywheel	1
D-67852	16	Ignition Coil	2
C-10-68565	17	Screw, ignition coil to coil mounting bracket	4
C-13-68566	18	Lockwasher, ignition coil terminal	2
C-11-68564	19	Nut, ignition coil terminal	2
C-84-63212A2	20	Lead Assembly, high tension (17")	2
C-85-71006A1	21	Protector Assembly, high tension lead	2
D-33-73271	22	Spark Plug	2

STYLE "B"
PLUG IN CONNECTIONS
IN SWITCH BOX WIRES

MUFFLER AND ENGINE MOUNTING PLATE



PART NO.	REF. NO.	DESCRIPTION	QUAN.
D-42-73849	1	Muffler, exhaust	1
C-24-66630	2	Spring, muffler retaining	2
D-71901	3	Bracket, muffler	1
C-10-59645	4	Screw, muffler bracket to crossmember (3/4")	2
C-13-39107	5	Lockwasher, muffler bracket screw	2
D-71662	6	Exhaust Manifold	1
C-10-69029	7	Screw, exhaust manifold to engine (1 3/4")	2
C-13-26992	8	Lockwasher, exhaust manifold screw	2
C-11-20361	9	Nut, exhaust manifold screw	2
C-24-63237	10	Spring, exhaust pipe attaching	2
D-73761	11	Plate, engine mounting	1
D-70950A1	12	Mount Assembly, engine plate to chassis crossmember	4
C-12-70936	13	Washer, engine plate to mount assembly screw	4
C-12-27025	14	Washer, mounting plate to mount assembly screw	4
C-11-23161	15	Nut, engine plate to mount assembly screw	4
C-10-60300	16	Screw, mount assembly front crossmember (3/4")	8
C-12-34714	17	Washer, mount to front crossmember	8
C-11-20361	18	Nut, mount to front crossmember screw	8
C-10-55337	19	Screw, mounting plate to crankcase (1 3/4")	4
C-12-25909	20	Washer, mounting plate to crankcase screw	4
C-12-27025	20	Washer, mounting plate to crankcase screw - PTO side	2
C-23-73778	21	Spacer, mounting plate to engine	4
C-12-25790	22	Washer, mounting plate to engine	4

