

# **MOTO-SKI**

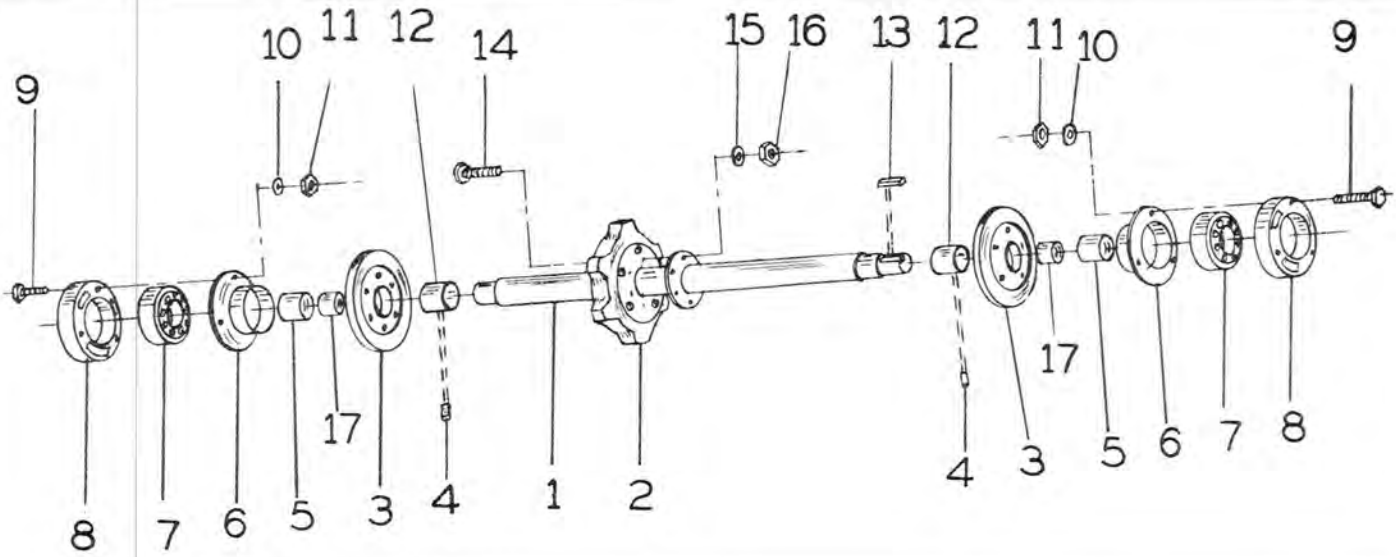
## **1965**



# **PARTS CATALOGUE**

MOTO-SKI LTÉE/LTD  
MOTO-SKI 1965  
PARTS CATALOGUE  
NO: 400791  
AVRIL 72

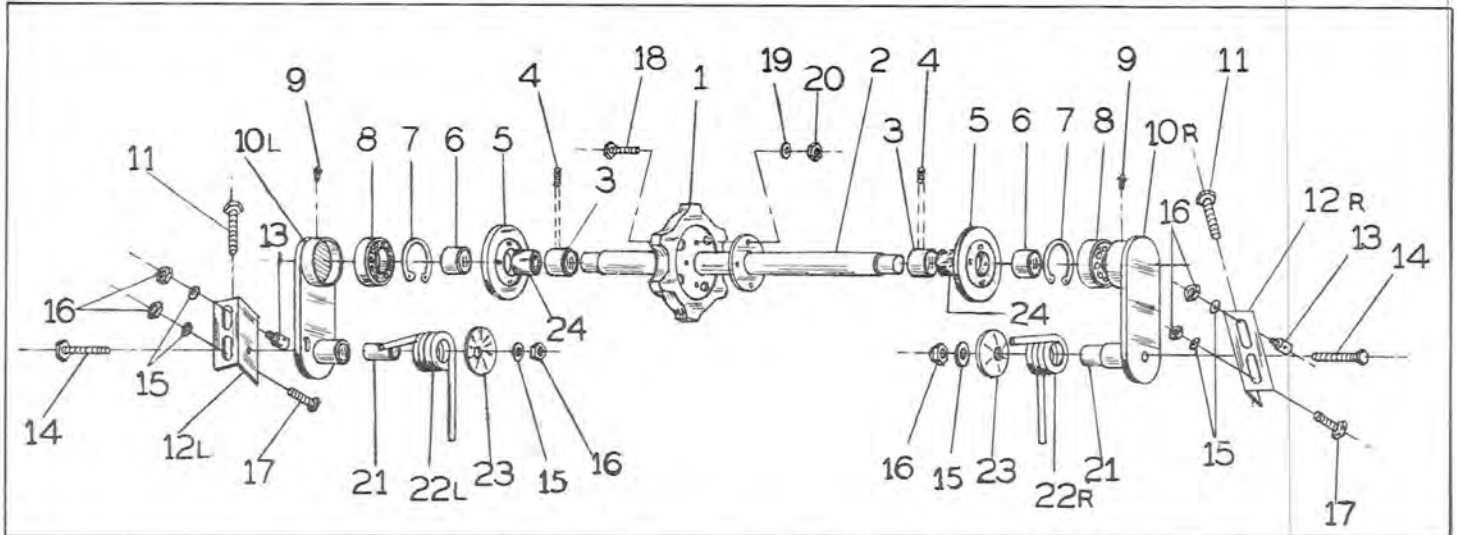
**FRONT SHAFT**



ITEMS	NUMBER	DESCRIPTION	CD	CP	ZE	GP	MS	ITEMS	NUMBER	DESCRIPTION	CD	CP	ZE	GP	MS
1	040107	FRONT AXLE		1	1			10	620050	LOCK WASHER 5/16		6	6		
2	040115	FRONT SPROCKET STANDARD		1	1			11	610050	NUT 5/16 x 24		6	6		
3	040109	IDLER WHEEL		2	2			12	040112	LOCK COLLAR		2	2		
4	600106	ALLEN SCREW 1/2 x 20 x 1/2		2	2			13	640050	KEY FRONT AXLE		1	1		
5	040108	SPACER		2	2			14	600150	BOLT 1/2 x 28 x 3/4		4	4		
6	040106	FLANGE		2	2			15	620001	LOCK WASHER 1/4		4	4		
7	660050	FRONT SHAFT BEARING		2	2			16	610051	NUT 1/4 x 28		4	4		
8	040104	BEARING SPACER		2	2			17	670050	NYLON BUSHING		2	2		
9	600032	BOLT 5/16 x 24 x 1 1/2		6	6										

**NOTES**

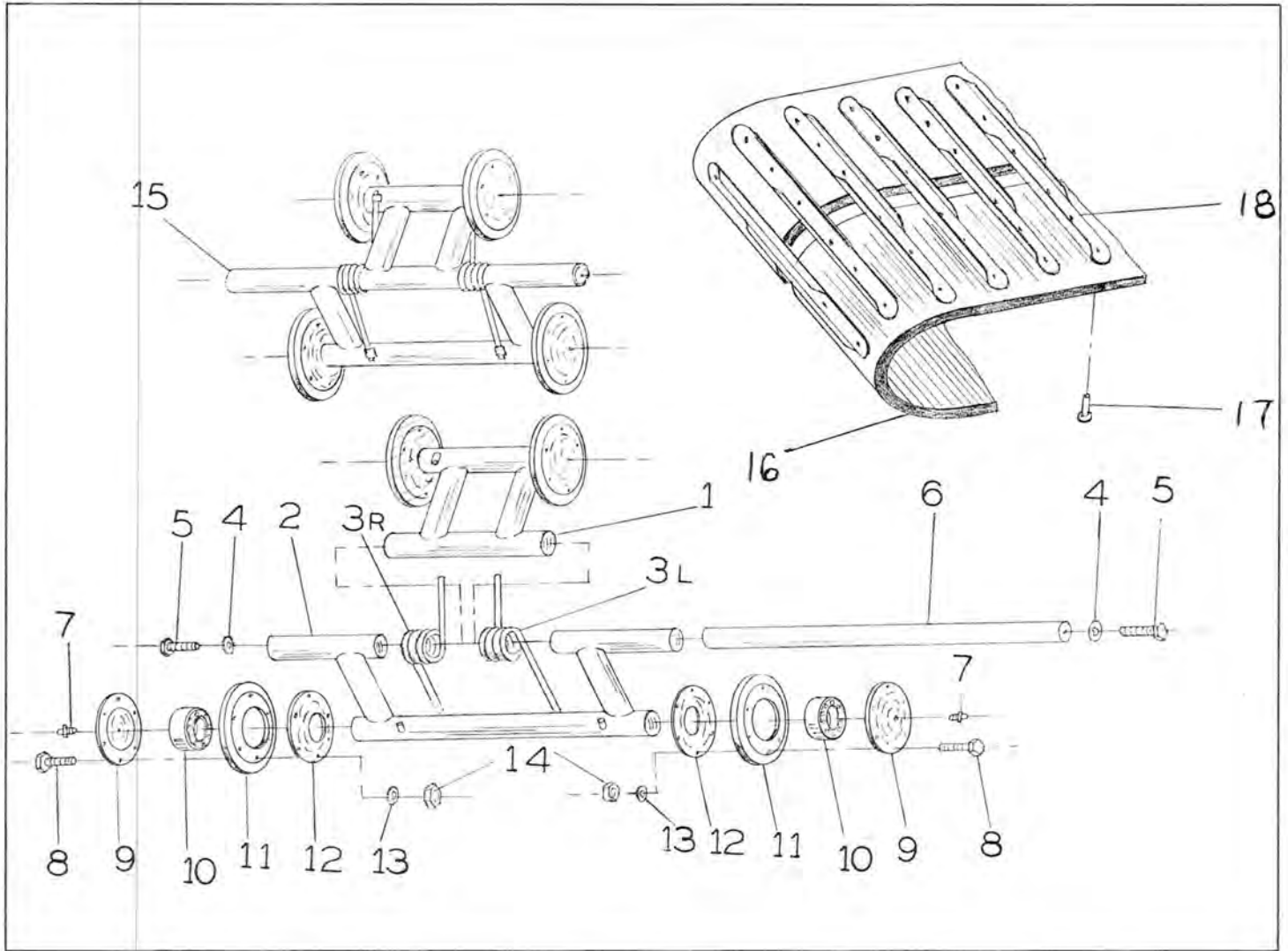
**REAR SHAFT**



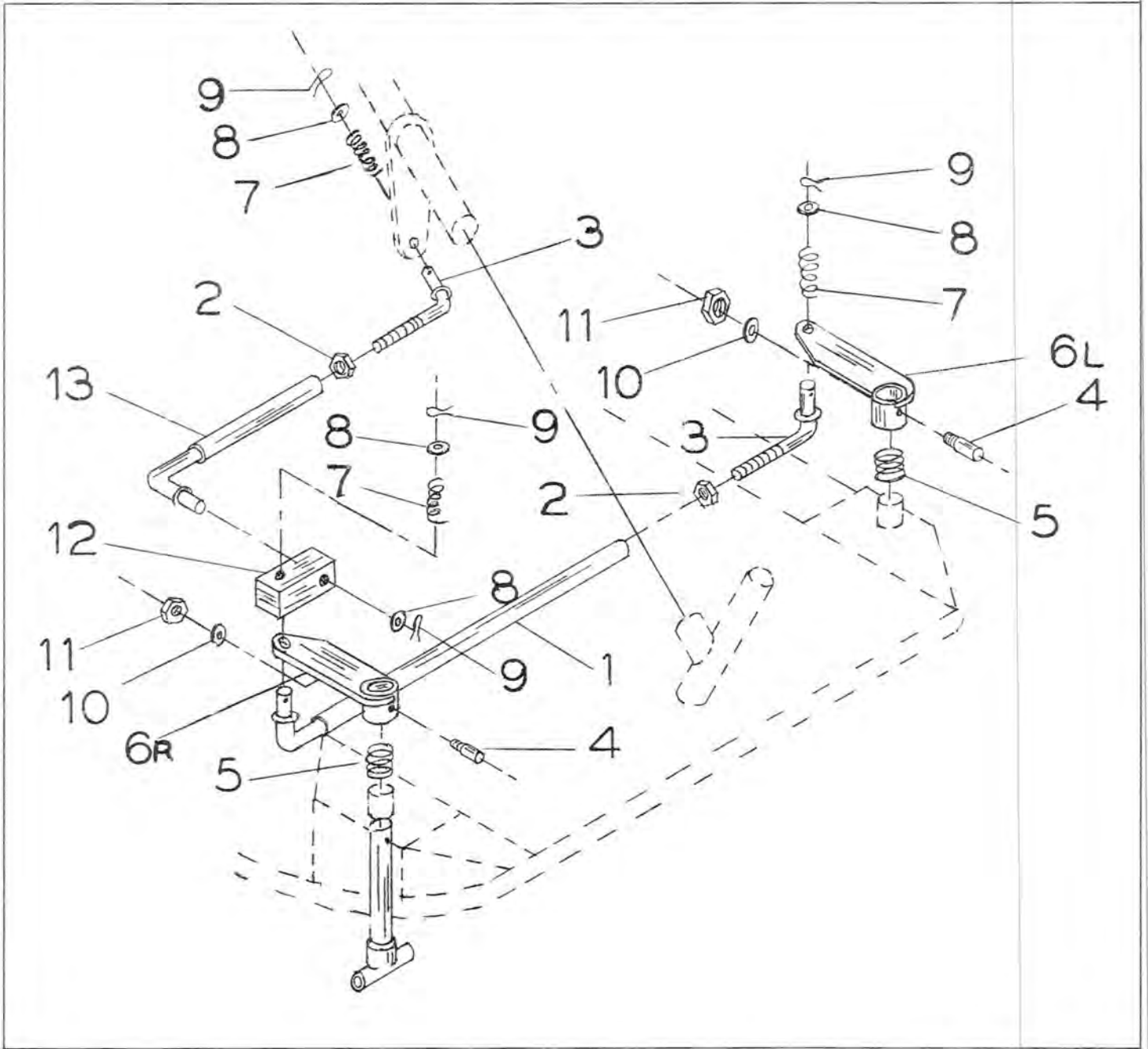
ITEMS	NUMBER	DESCRIPTION	CD	CP	ZE	GP	MS	ITEMS	NUMBER	DESCRIPTION	CD	CP	ZE	GP	MS
1	040110	REAR SPROCKET		1				13	040044	EYE BOLT		2			
2	040103	REAR AXLE		1				14	600022	BOLT 5/16 x 24 x 2 1/2		2			
3	040112	LOCK COLLAR		2				15	620050	LOCK WASHER 5/16		6			
4	600106	ALLEN SCREW 1/4 x 20 x 1/2		2				16	610050	NUT 5/16 x 24		6			
5	040109	IDLER WHEEL		2				17	600024	BOLT 5/16 x 24 x 3/4		2			
6	040108	SPACER		2				18	600150	BOLT 1/2 x 28 x 3/4		4			
7	640078	CIRCLIP		2				19	620001	LOCK WASHER 1/4		4			
8	660051	LINK PLATE BEARING		2				20	610051	NUT 1/2 x 28		4			
9	680001	GREASE FITTING		2				21	670051	LINK PLATE BUSHING		2			
10R	040100	R.H. LINK PLATE		1				22R	040033	R.H. SPRING		1			
10L	040100	L.H. LINK PLATE		1				22L	040032	L.H. SPRING		1			
11	600021	BOLT 5/16 x 18 x 2 1/2		2				23	040009	RETAINER WASHER		2			
12R	040043	R.H. BRACKET		1				24	670050	NYLON BUSHING		2			
12L	040116	L.H. BRACKET		1											

**NOTES**

**BOGGIES WHEELS & TRACK**

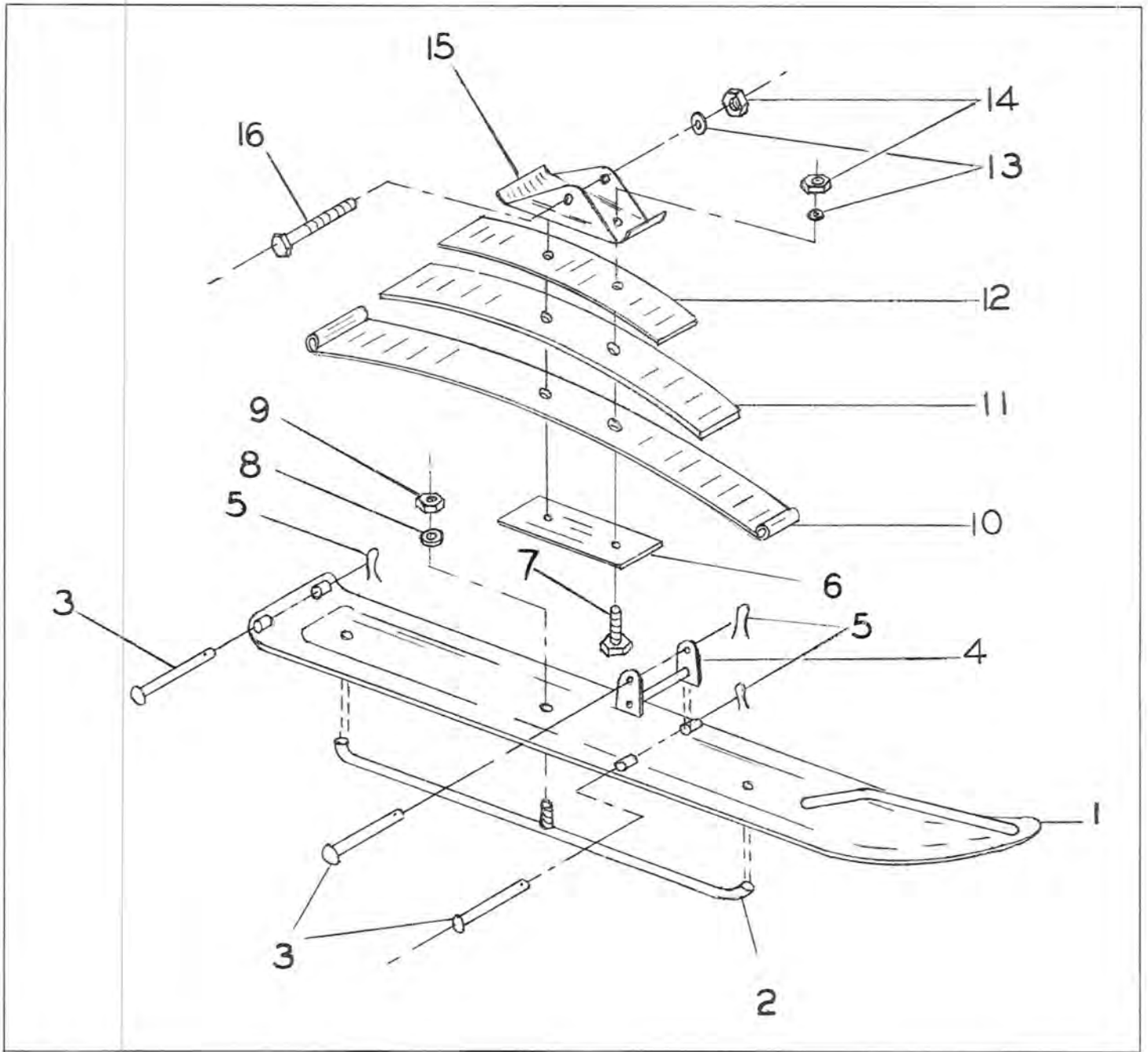


ITEMS	NUMBER	DESCRIPTION	CD	CP	ZE	GP	MS	ITEMS	NUMBER	DESCRIPTION	CD	CP	ZE	GP	MS
1	030033	SHORT SUPPORT		3	-			9	030008	OUTER FLANGE		12	12		
1	030104	SHORT SUPPORT		-	3			10	660003	BEARING		12	12		
2	030126	WHEEL SUPPORT LONG		3	-			11	030010	RUBBER WHEEL		12	12		
2	030106	LONG SUPPORT		-	3			12	030009	INNER FLANGE		12	12		
3R	030109	R.H. SPRING		3	-			13	620052	WASHER 10/32		72	72		
3R	030112	R.H. SPRING		-	3			14	610010	NUT 10/32		72	72		
3L	030110	L.H. SPRING		3	-			15	030107	BOGGIE WHEEL ASS'Y		3	-		
3L	030113	L.H. SPRING		-	3			15	030108	BOGGIE WHEEL ASS'Y		-	3		
4	620050	LOCK WASHER 5/16		6	6			16	030001	TRACK ASS'Y		1	-		
5	600024	BOLT 5/16 x 24 x 3/4		6	6			16	030105	TRACK ASS'Y		-	1		
6	030013	ALUMINIUM SHAFT		2	2			17	030004	RIVETS		AS	RRQ'D		
6	030014	STEEL SHAFT		1	1			18	030102	CLEATS		39	47		
7	680001	GREASE FITTING		12	12										
8	600152	BOLT 10/32 x 3/4		72	72										

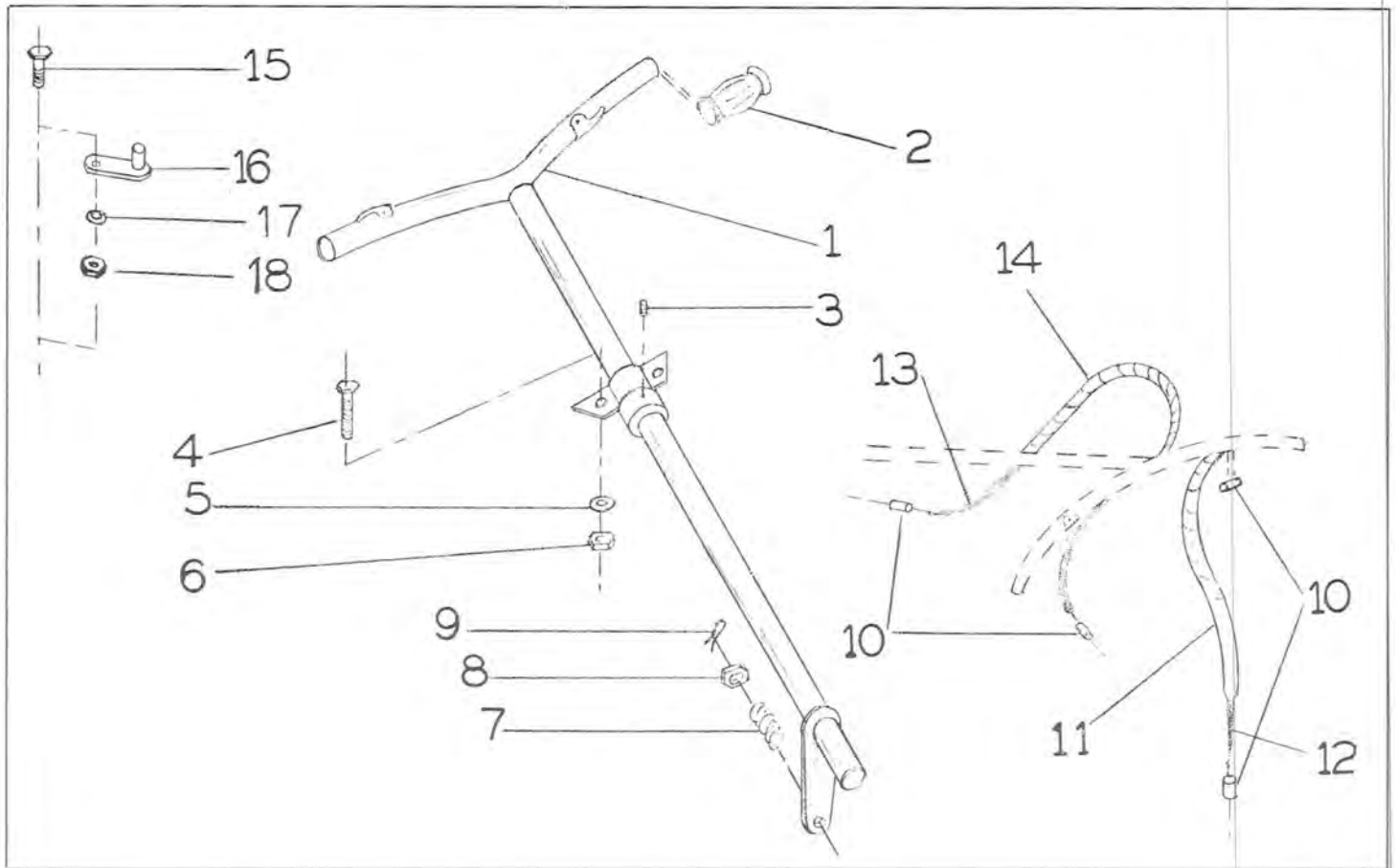


ITEMS	NUMBER	DESCRIPTION	CD	CP	ZE	GP	MS	ITEMS	NUMBER	DESCRIPTION	CD	CP	ZE	GP	MS
1	020113	LONG ROD		1	1			8	620053	FLAT WASHER 3/8		4	4		
2	610013	NUT		2	2			9	640012	CUTTER PIN		4	4		
3	020107	TIE ROD END		2	2			10	620050	LOCK WASHER 5/16		2	2		
4	640051	TAPER PIN		2	2			11	610050	NUT 5/16 x 24		2	2		
5	020109	SPRING		2	2			12	020114	ROD COUPLER		1	1		
6L	020101	L.H. ARM ASS'Y		1	1			13	020115	SHORT ROD		1	1		
6R	020105	R.H. ARM ASS'Y		1	1										
7	020108	SPRING		3	3										

**SKI RUNNER**



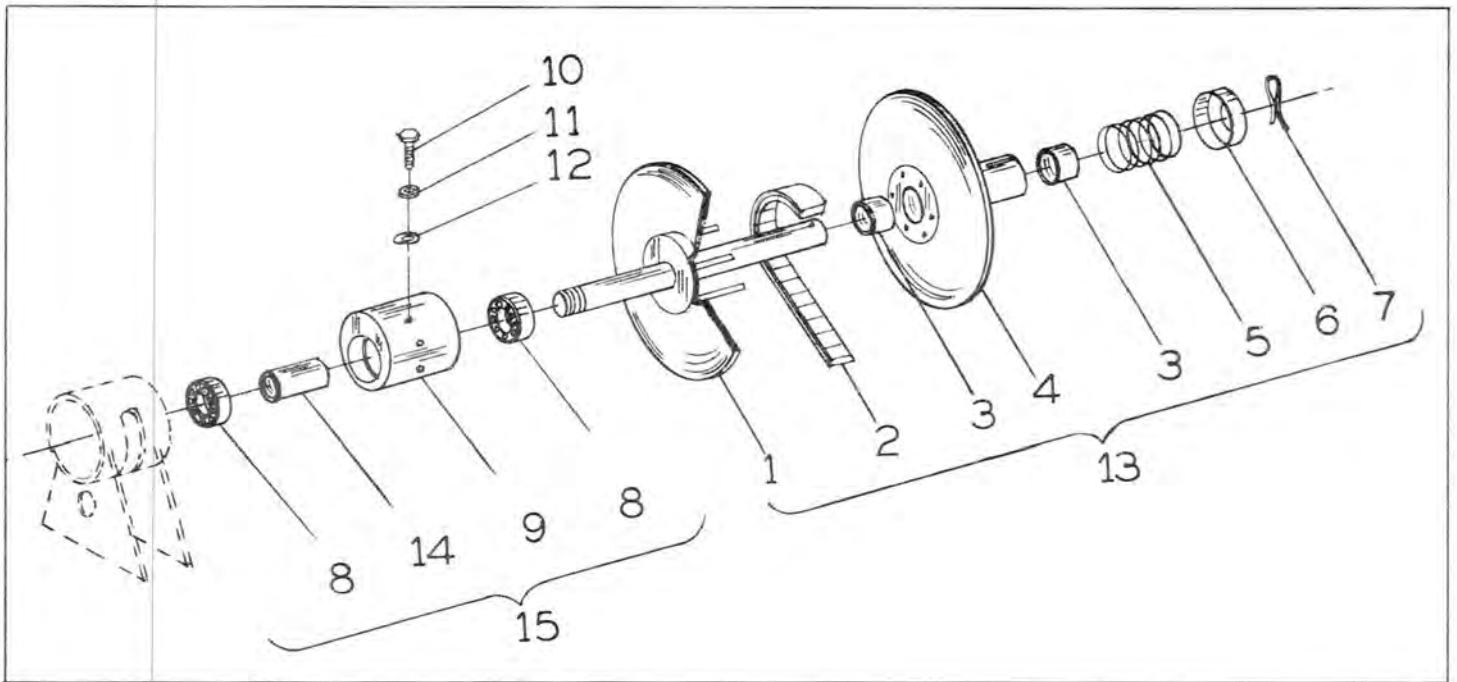
ITEMS	NUMBER	DESCRIPTION	CD	CP	ZE	GP	MS	ITEMS	NUMBER	DESCRIPTION	CD	CP	ZE	GP	MS
1	020104	SKI RUNNER			2	2		9	610051	NUT $\frac{1}{4}$ x 28		2	2		
2	020024	SKI RUNNER SHOE			2	2		10	020103	MAIN LEAF		2	2		
3	640052	CLEVIS PIN			3	3		11	020102	SECOND LEAF		2	2		
4	640012	CUTTER PIN			3	3		12	020029	THIRD LEAF		2	2		
5	640053	SHAKLE			2	2		13	620054	LOCK WASHER $\frac{3}{8}$		3	3		
6	020111	REBOUND LEAF SPRING			2	2		14	610013	NUT		3	3		
7	600019	BOLT $\frac{3}{8}$ x 24 x $1\frac{1}{2}$			4	4		15	020030	SPRING COUPLER		2	2		
8	620001	LOCK WASHER $\frac{1}{4}$			2	2		16	600020	BOLT $\frac{3}{8}$ x 24 x $3\frac{1}{2}$		2	2		



ITEMS	NUMBER	DESCRIPTION	CD	CP	ZE	GP	MS	ITEMS	NUMBER	DESCRIPTION	CD	CP	ZE	GP	MS
1	020100	HANDLE BAR		1	1			10	020118	CABLE LOCK		4	4		
2	020121	HANDLE BAR GRIP		2	2			11	020119	THROTTLE CABLE HOUSING		1	1		
3	600106	ALLEN SCREW $\frac{3}{8}$ x 20 x $\frac{1}{2}$		1	1			12	020117	THROTTLE CABLE		1	1		
4	600024	BOLT 5/16 x 24 x 3/4		2	2			13	020117	BRAKE CABLE		1	1		
5	620050	LOCK WASHER 5/16		2	2			14	020116	BRAKE CABLE HOUSING		1	1		
6	610050	NUT 5/16 x 24		2	2			15	600153	BOLT		1	1		
7	020108	SPRING		1	1			16	020120	THROTTLE CABLE BRACKET		1	1		
8	620053	FLAT WASHER 3/8		1	1			17	620001	LOCK WASHER $\frac{1}{4}$		1	1		
9	640012	CUTTER PIN		1	1			18	610051	NUT $\frac{1}{2}$ x 28		1	1		

NOTES

# DRIVEN PULLEY

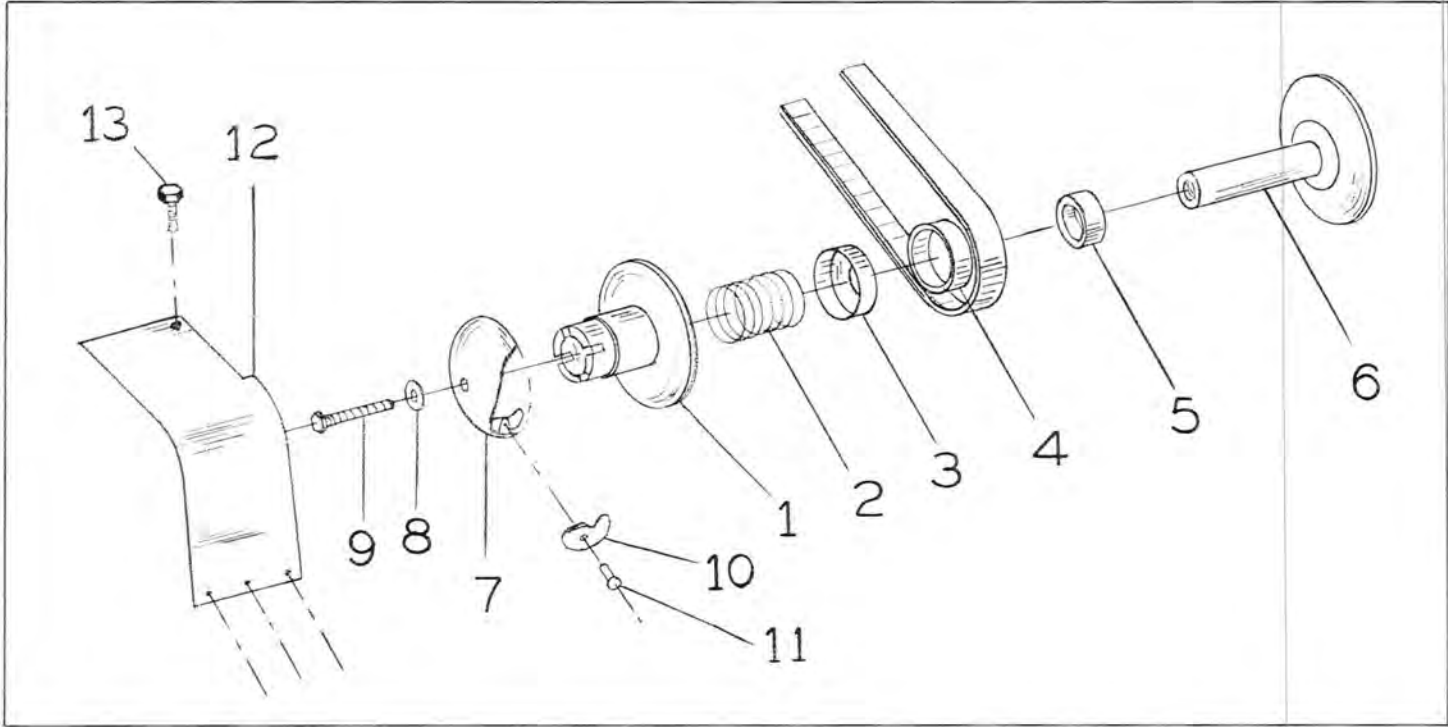


ITEMS	NUMBER	DESCRIPTION	CD	CP	ZE	GP	MS	ITEMS	NUMBER	DESCRIPTION	CD	CP	ZE	GP	MS
1	060046	PULLEY INNER		1	1			9	060216	CHAIN TENSIONER		1	1		
2	700050	DRIVE BELT		1	1			10	600034	BOLT 3/8 x 16 x 1		1	1		
3	670052	BRASS BUSHING		2	2			11	620054	LOCK WASHER 3/8		1	1		
4	060207	OUTER PULLEY		1	1			12	060166	WASHER		1	1		
5	060205	SPRING		1	1			13	060221	DRIVEN PULLEY ASS'Y		1	1		
6	060204	SPRING COVER		1	1			14	060075	SPACER		1	1		
7	640006	CUTTER PIN 3/16 x 1 1/4		1	1			15	060220	CHAIN TENSIONER ASS'Y		1	1		
8	660005	BEARING		2	2										

## NOTES



**ENGINE CLUTCH PULLEY**

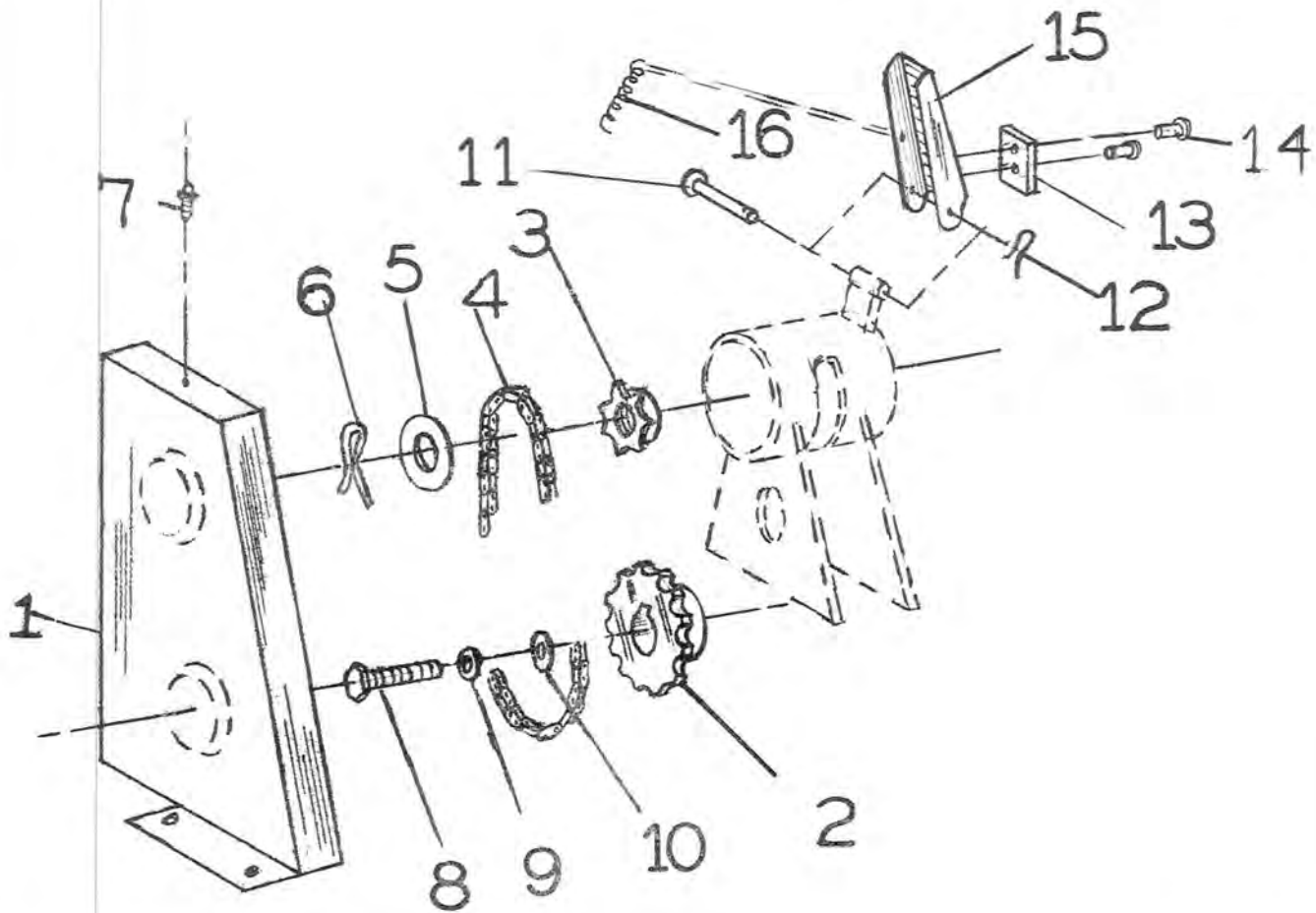


ITEMS	NUMBER	DESCRIPTION	CD	CP	ZE	GP	MS	ITEMS	NUMBER	DESCRIPTION	CD	CP	ZE	GP	MS
1	060050	OUTER PULLEY		1	1			8	060062	LOCK WASHER		1	1		
2	060059	SPRING		1	1			9	600037	BOLT $\frac{1}{2}$ x 20 x 1		1	1		
3	060055	SPRING SEAT		1	1			10	060065	GOVERNOR WEIGHT		4	4		
4	700050	DRIVE BELT		1	1			11	630051	RIVETS		4	4		
5	670053	IDLER BUSHING		1	1			12	060200	PULLEY GUARD JLO		1	1		
6	060007	INNER PULLEY HIRTH		1	1			12	060201	PULLEY GUARD HIRTH		1	1		
6	060202	INNER PULLEY JLO		1	1			13	600154	THUMB SCREW		1	1		
7	060093	CENTRIFUGAL GOVERNOR		1	1										

**NOTES**

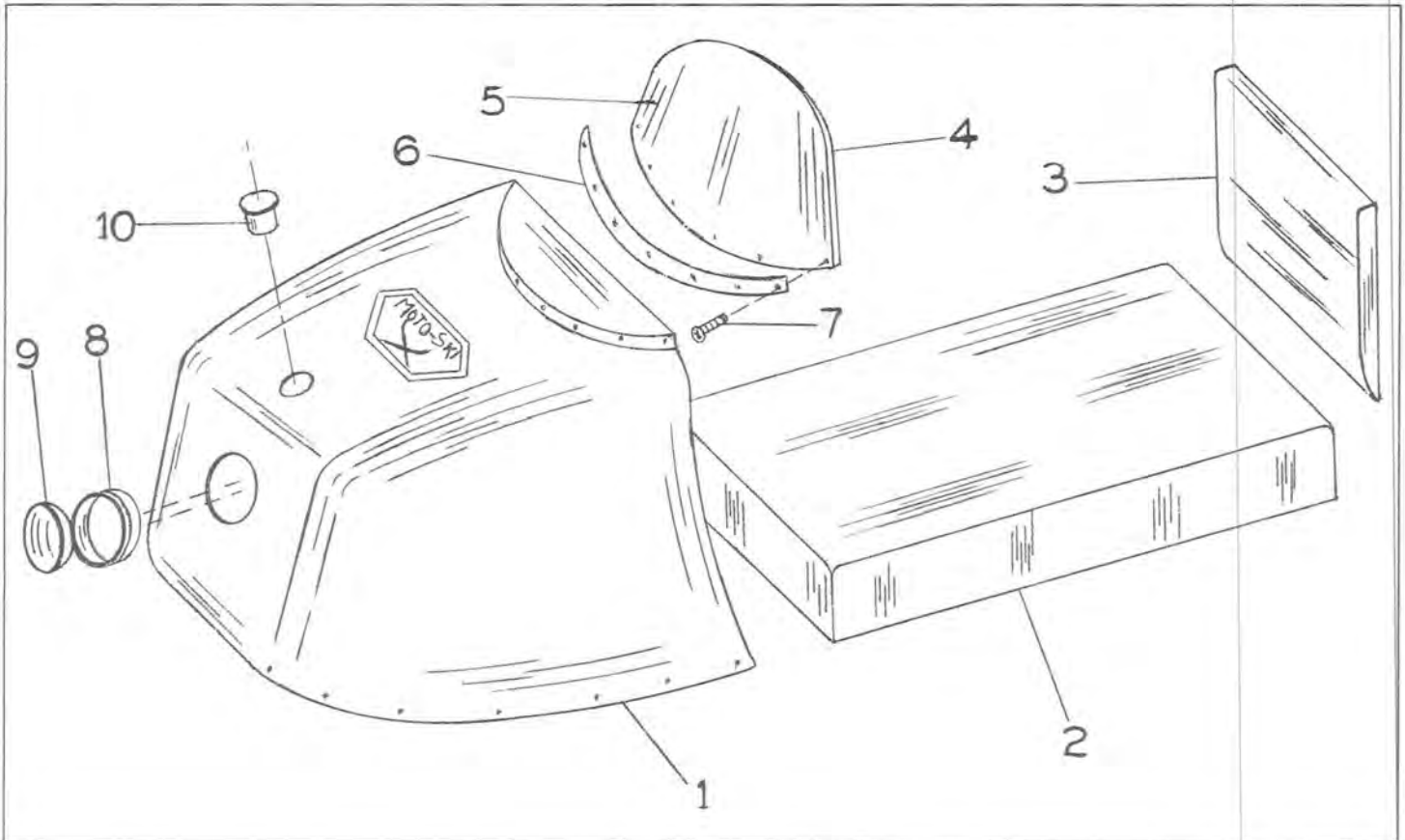
Blank area for notes with horizontal lines.

**CHAIN CASE**



ITEMS	NUMBER	DESCRIPTION	CD	CP	ZE	GP	MS	ITEMS	NUMBER	DESCRIPTION	CD	CP	ZE	GP	MS
1	060214	CHAIN CASE			1	1		9	620001	LOCK WASHER 1/2		1	1		
2	060215	CHAIN SPROCKET			1	1		10	620058	FLAT WASHER 1/2		1	1		
3	060223	CHAIN SPROCKET 11T.			1	1		11	640054	CLEVIS PIN		1	1		
3	060212	CHAIN SPROCKET 12T.			1	1		12	640007	CUTTER PIN 3/32 x 3/4		1	1		
4	060213	CHAIN			1	1		13	060209	BRAKE LINING		1	1		
5	620057	FLAT WASHER			1	1		14	630004	BRAKE RIVETS		2	2		
6	640006	CUTTER PIN 3/16 x 1 1/4			1	1		15	060203	BRAKE ARM ASS'Y		1	1		
7	680001	GREASE FITTING			1	1		16	060211	BRAKE SPRING		1	1		
8	600150	BOLT 1/2 x 28 x 3/4			1	1									

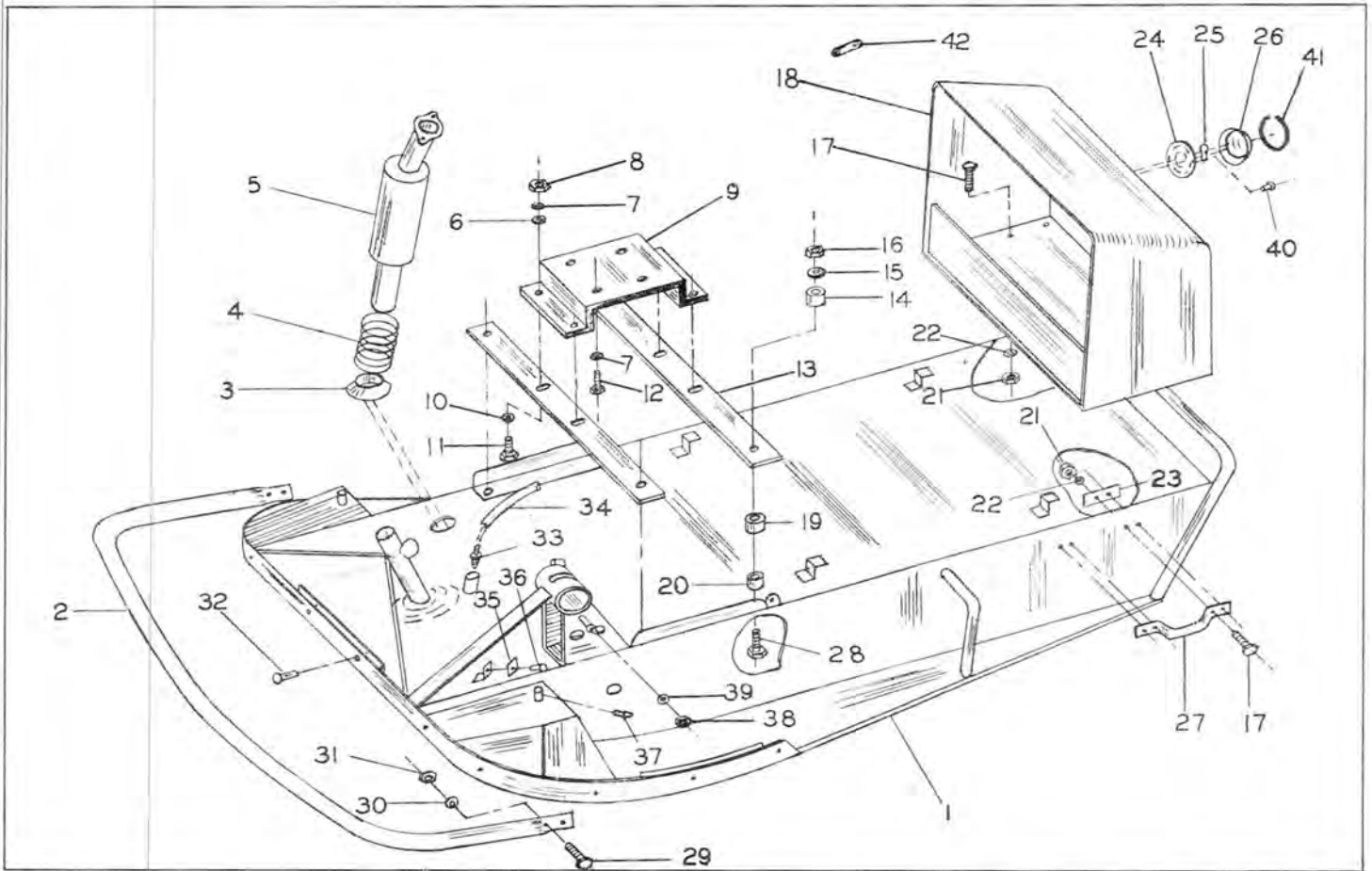
**NOTES**



ITEMS	NUMBER	DESCRIPTION	CD	CP	ZE	GP	MS	ITEMS	NUMBER	DESCRIPTION	CD	CP	ZE	GP	MS
1	090100	HOOD		1	1			6	090105	WHITE MOULDING		1	1		
2	080106	SEAT CAPRI		1	-			7	600155	METAL SCREW		7	7		
2	080107	SEAT ZEPHYR		-	1			8	090101	RUBBER RING		1	1		
3	080105	BACK REST		1	1			9	690050	SEAL BEAM		1	1		
4	090103	CHROMED MOULDING		1	1			10	090102	GAS CAP		1	1		
5	090104	WINDSHIELD		1	1										

NOTES

**BODY**



ITEMS	NUMBER	DESCRIPTION	CD	CP	ZE	GP	MS	ITEMS	NUMBER	DESCRIPTION	CD	CP	ZE	GP	MS
1	010200	BODY (NOT AVAIL.)			1	-		21	610010	NUT 10/32		14	14		
1	010201	BODY			-	1		22	620052	WASHER 10/32		14	14		
2	010207	FRONT BUMPER			1	1		23	010204	REINFORCING PLATE		4	4		
3	010205	SPRING SEAT			1	1		24	080101	TAIL LAMP ASS'Y		1	1		
4	010206	MUFFLER SPRING			1	1		25	690051	TAIL LAMP BULB		1	1		
5	100100	MUFFLER			1	1		26	080100	TAIL LAMP LENS		1	1		
6	620053	FLAT WASHER 3/8			4	4		27	010202	CHROME HANDLE		2	2		
7	620054	LOCK WASHER 3/8			4	4		28	010045	BOLT 7/16 x 20 x 1 3/4 & 7/16 x 20 x 2		4	4		
8	610013	NUT 3/8 x 24			4	4		29	600024	BOLT 5/16 x 24 x 3/4		4	4		
9	050102	ENGINE BASE HIRTH			1	1		30	620050	LOCK WASHER 5/16		4	4		
9	050103	ENGINE BASE JLO			1	1		31	610050	NUT 5/16 x 24		4	4		
10	620053	FLAT WASHER 3/8			4	4		32	630005	RIVETS		2	2		
11	600156	BOLT 5/16 x 18 x 1			4	4		33	070051	GAS TANK ADAPTOR		1	1		
12	600019	BOLT METRIC			4	4		34	070077	NYLON GAS LINE		1	1		
13	050101	ENGINE LEAF			2	2		35	640062	RUBBER STOP		2	2		
14	620059	RUBBER WASHER			4	4		36	630005	RIVETS		2	2		
15	620060	FLAT WASHER			4	4		37	680001	GREASE FITTING		2	2		
16	610052	NUT			4	4		38	610051	NUT 1/2 x 28		1	1		
17	600152	BOLT 10/32 x 3/4			14	14		39	620001	LOCK WASHER 1/2		1	1		
18	080102	TOOL BOX			1	1		40	630005	RIVETS		2	2		
19	050011	RUBBER PAD			4	4		41	080103	RETAINING RING		1	1		
20	670054	BUSHING			4	4									

**NOTES**

Lined area for notes.