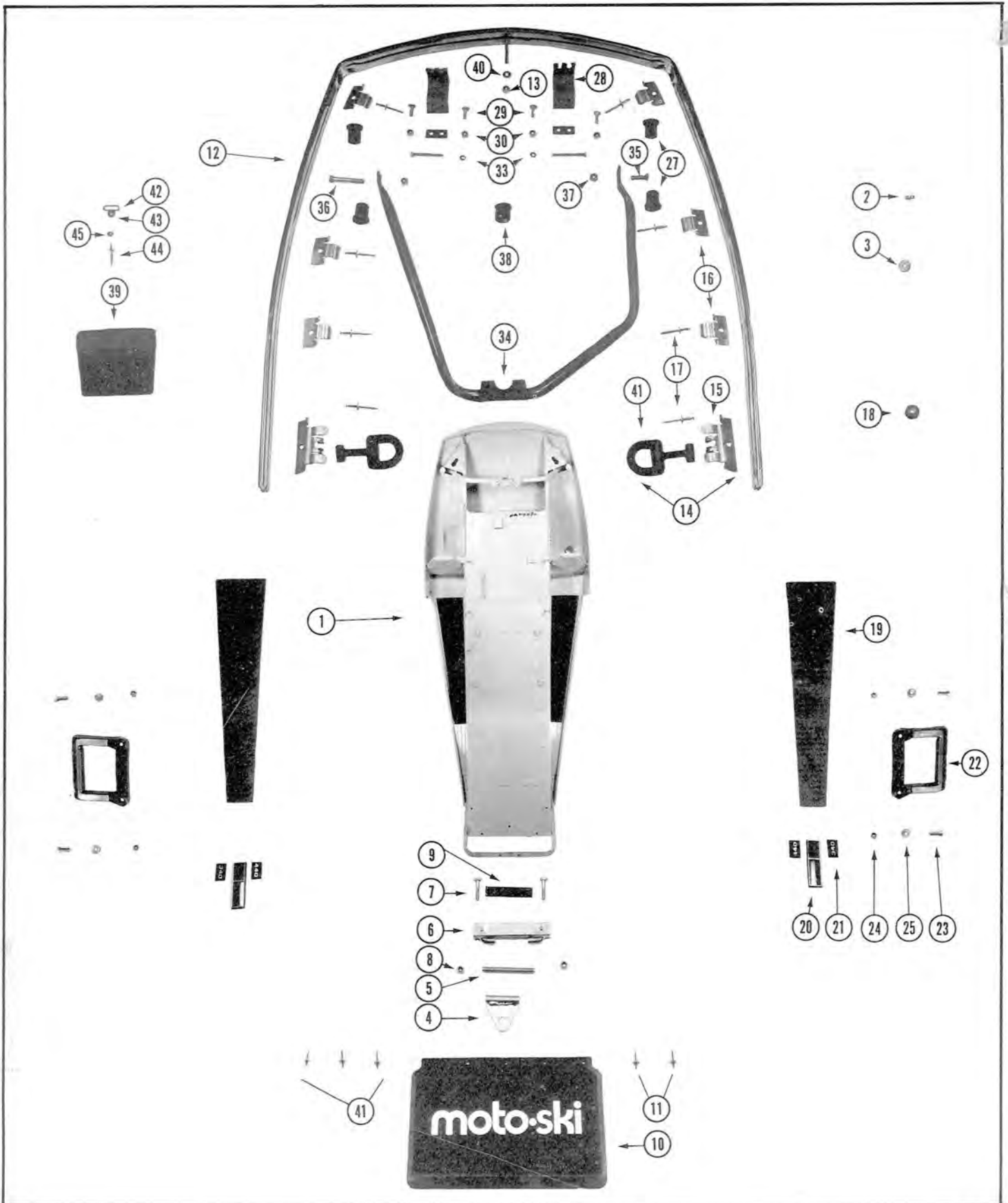


FRAME CAPRI



FRAME CAPRI

ITEM	NUMBER	DESCRIPTION	QT'Y	APPLICATION	ITEM	NUMBER	DESCRIPTION	QT'Y	APPLICATION
1	011385	FRAME	1	C.296-340-440	29	600121	BOLT	4	All Capri
1	011387	FRAME	1	C.340SS-340-440	30	610023	NUT, NYLON LOCK	4	"
2	680002	FITTING, GREASE	2	All Capri	31	011371	PLATE, REINFORCING	2	"
3	620002	WASHER, FLAT	2	"	32	630049	PIN, HINGE	2	"
4	010031	COUPLER, HITCH	1	"	33	640046	LOCK PIN, HINGE	2	"
5	010044	PIN, HITCH	1	"	34	021169	SUPPORT, STEERING	1	"
6	010043	BRACKET, HITCH	1	"	35	600057	BOLT	1	"
7	600083	BOLT	2	"	36	600046	BOLT	1	"
8	610023	NUT, NYLON LOCK	2	"	37	610015	NUT, NYLON LOCK	2	"
9	011355	DECAL, WARNING	1	"	38	020082	BUSHING, LOWER STEERING	1	"
10	011292	GUARD, SNOW	1	"	39	080078	BOX, TOOL	1	"
11	630031	RIVET, POP	5	"	40	620002	WASHER, FLAT	1	"
12	011291	BUMPER, FRONT	1	"	41	010059	HOLDER, RUBBER	2	"
13	610023	NUT, NYLON LOCK	1	"	42	640047	LOOPS, TUCKS	2	"
14	010156	CATCH, ASS'Y HOOD	2	"	43	640048	CLIPS, RING	2	"
15	010155	BRACKET, HOOD CATCH	2	"	44	630020	RIVET, POP	2	"
16	010013	BRACKET, HOOD GUIDE	6	"	45	620030	WASHER, FLAT	2	"
17	630030	RIVET, POP	6	"					
18	011358	DECAL, BUMPER	A.R	"					
19	010082	PAD, FOOT SET	1	"					
20	011338	REFLECTOR ASS'Y	2	"					
21	011362	PLATE IND. 296	2	C.296					
21	011363	PLATE IND. 340	2	C.340					
21	011365	PLATE IND. 440	2	C.440					
22	011356	HANDLE, SIDE	2	All Capri					
23	600054	BOLT	4	"					
24	610015	NUT, NYLON LOCK	4	"					
25	011390	WASHER, FLAT	4	"					
27	020051	BUSHING, SKI LEG	4	"					
28	011329	HINGE	2	"					

NOTES

FRAME (SEAT & BACK REST) CAPRI

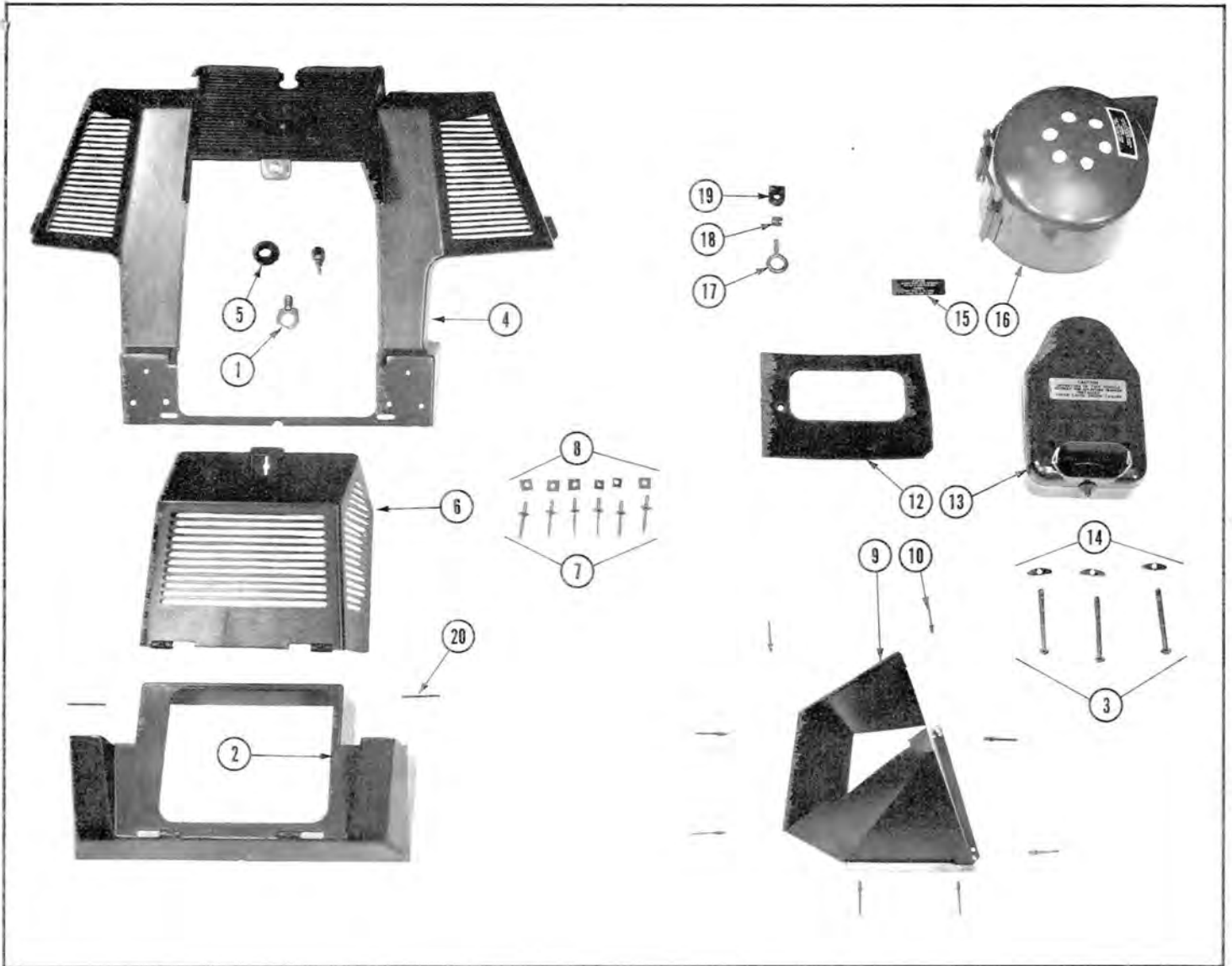


ITEM	NUMBER	DESCRIPTION	QT'Y	APPLICATION	ITEM	NUMBER	DESCRIPTION	QT'Y	APPLICATION
1	080070	SEAT ASS'Y	1	All Capri					
2	600102	BOLT	2	"					
3	620001	WASHER, LOCK	4	"					

HOOD CAPRI

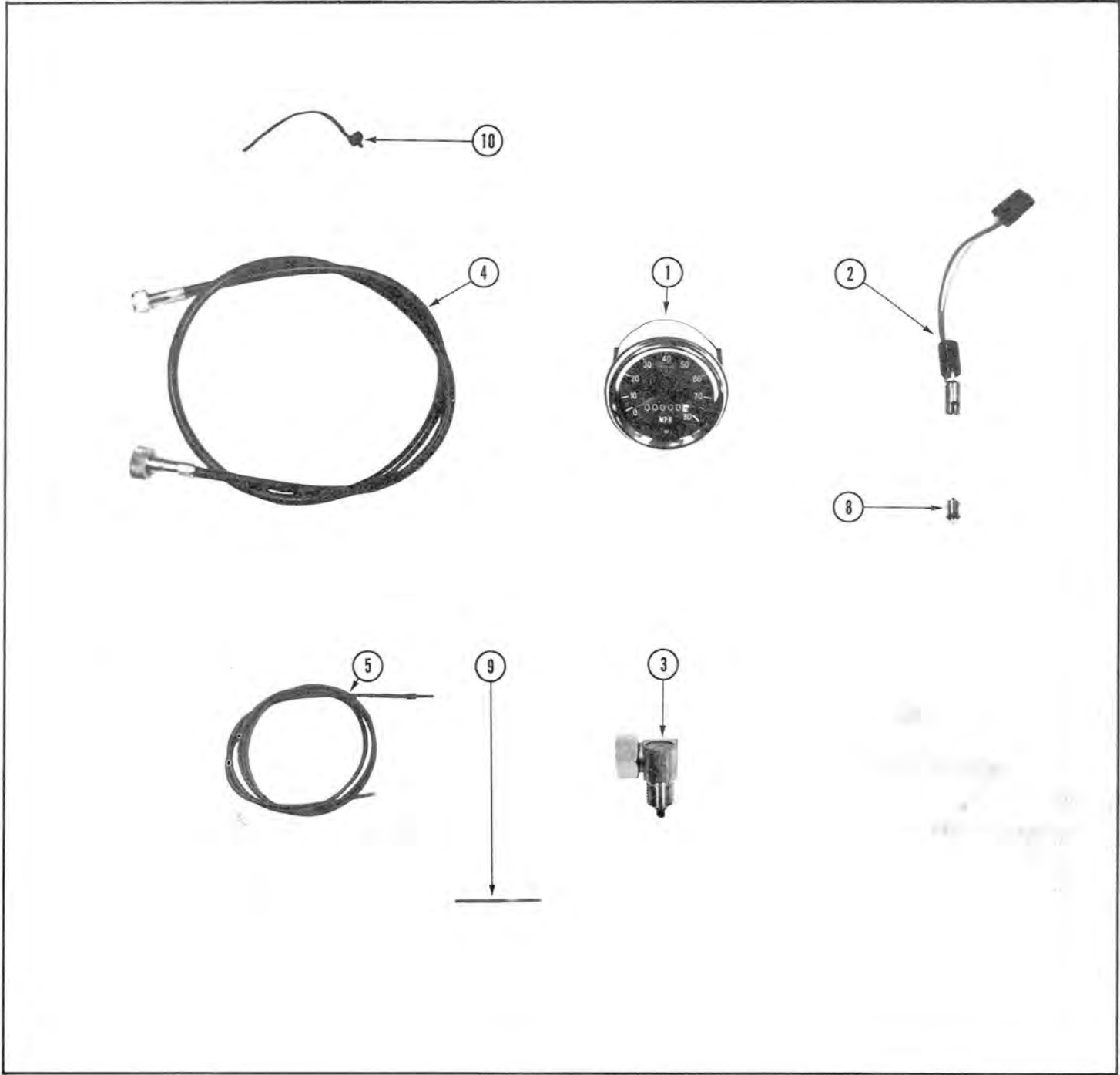


HOOD (CONSOLE) CAPRI



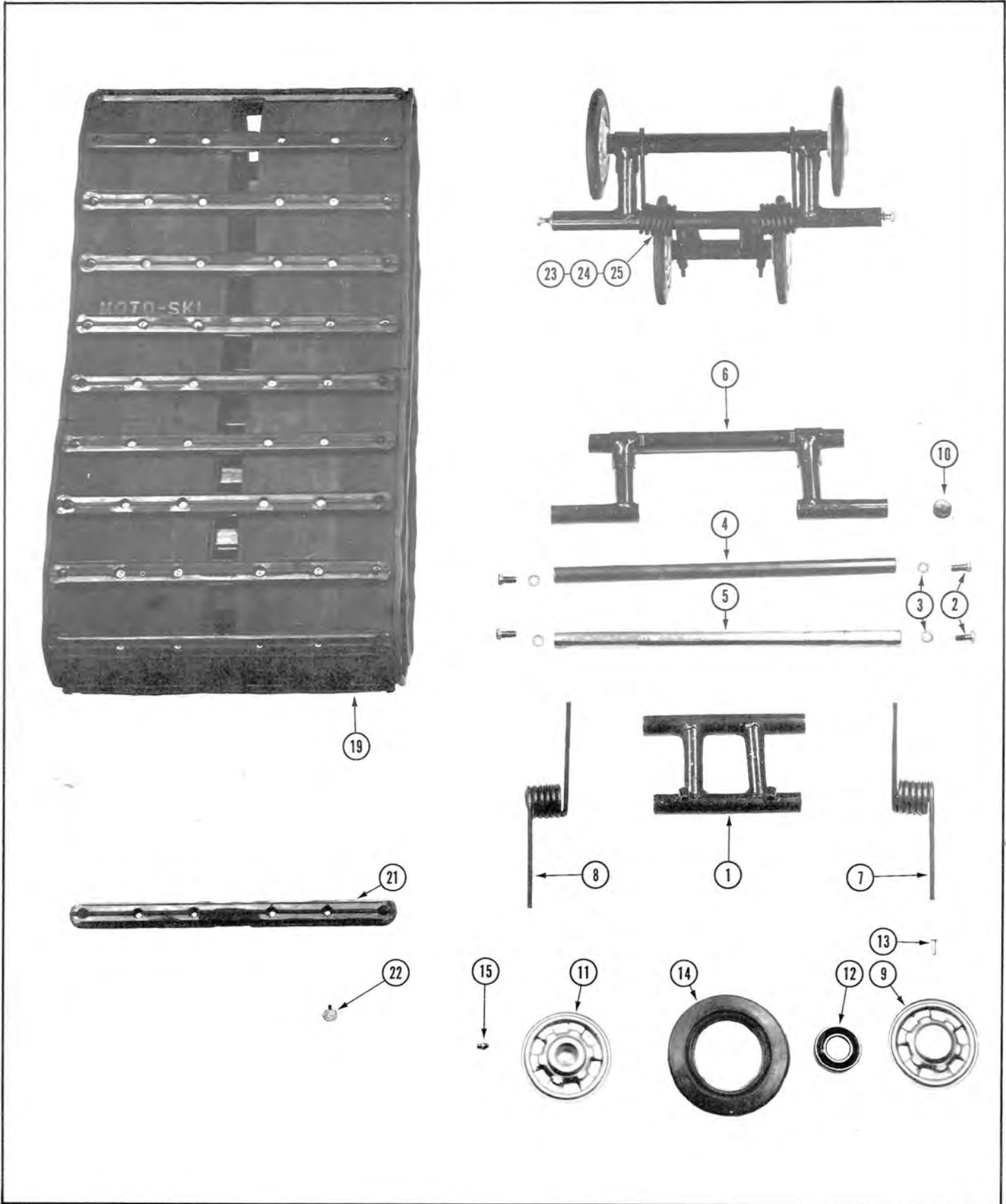
ITEM	NUMBER	DESCRIPTION	QTY	APPLICATION	ITEM	NUMBER	DESCRIPTION	QTY	APPLICATION
1	640044	RETAINER, CONSOLE	3	All Capri	12	091198	PAD, AIR SILENCER	1	C.340
2	091133	BASE, ENGINE COVER	1	"	13	051110	SILENCER, AIR INTAKE	1	C.296-340
3	600264	BOLT	3	"	13	051108	SILENCER, AIR	1	C.440
4	091136	CONSOLE, HOOD	1	"	14	620035	PLATE, LOCK	3	All Capri
5	710029	GROMMET, RUBBER	1	"	15	091168	DECAL	1	"
6	091134	DOOR, CONSOLE ACCES	1	"	16	091149	GUARD, PULLEY	1	"
7	630011	RIVET, POP	6	"	17	091137	BOLT, EYE	1	"
8	620030	WASHER, POP	6	"	18	091138	NUT, SWIVEL	1	"
9	091190	DOCK, AIR	1	"	19	091142	HOLDER, WIRE	1	"
10	630151	RIVET, POP	6	"	20	091231	PIN, HINGE	1	"
12	091197	PAD, AIR SILENCER	1	C.296					
12	091199	PAD, AIR SILENCER	1	C.440					

HOOD (SPEEDOMETER) CAPRI

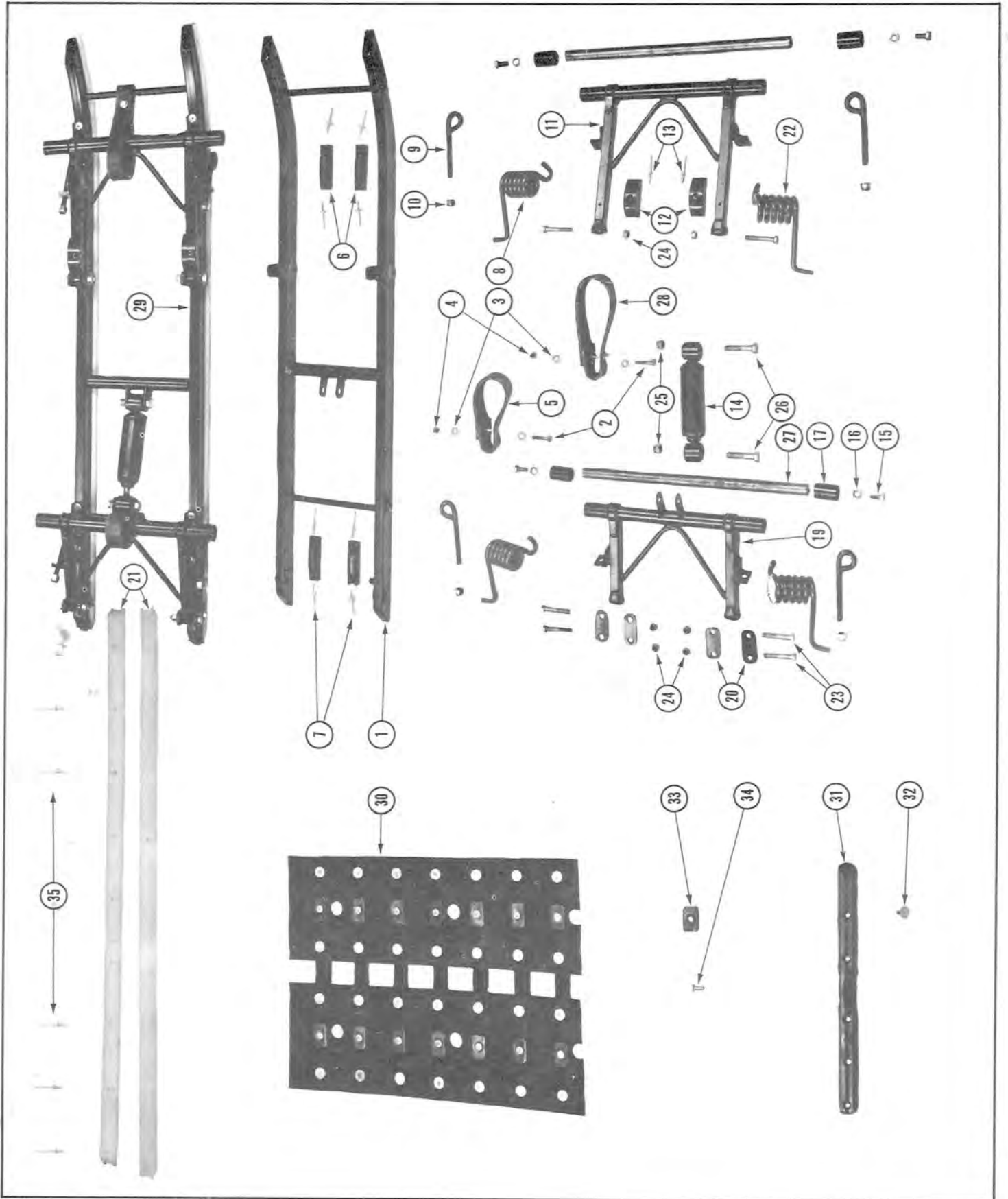


ITEM	NUMBER	DESCRIPTION	QTY	APPLICATION	ITEM	NUMBER	DESCRIPTION	QTY	APPLICATION
1	091110	SPEEDOMETER ASS'Y	1	All C. EXC.296	9	091227	CABLE, SHORT	1	All C. EXC.296
2	091111	SOCKET, LIGHT SPEEDO	1	"	10	640001	TIE CABLE	1	"
3	091112	ANGLE DRIVE	1	"					
4	091113	CABLE, SPEEDO ASS'Y	1	"					
5	091119	CABLE, SPEEDO (INNER)	1	"					
8	091120	BULB	1	"					

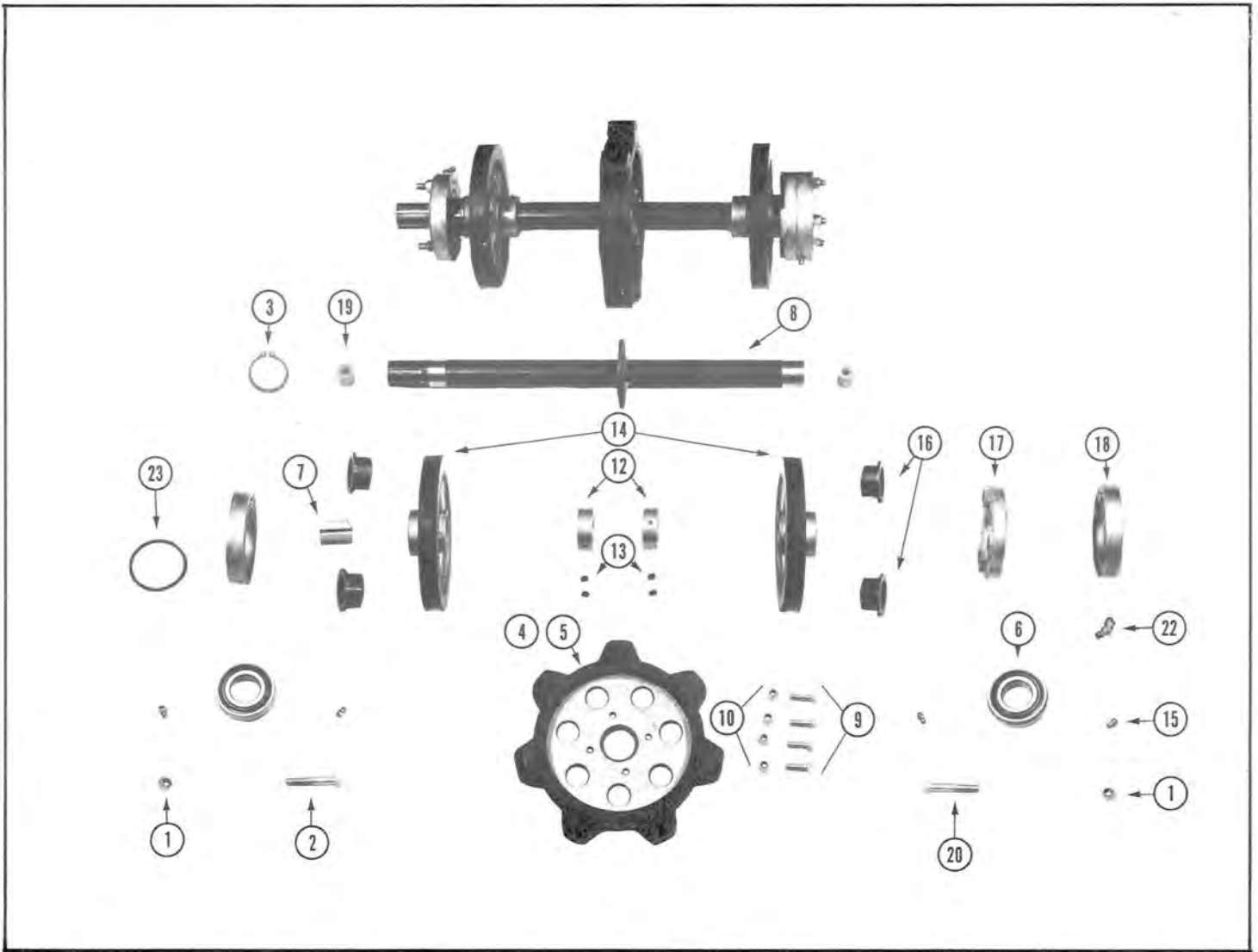
TRACK (TRACK & SUSPENSION) CAPRI



SLIDER SUSPENSION CAPRI

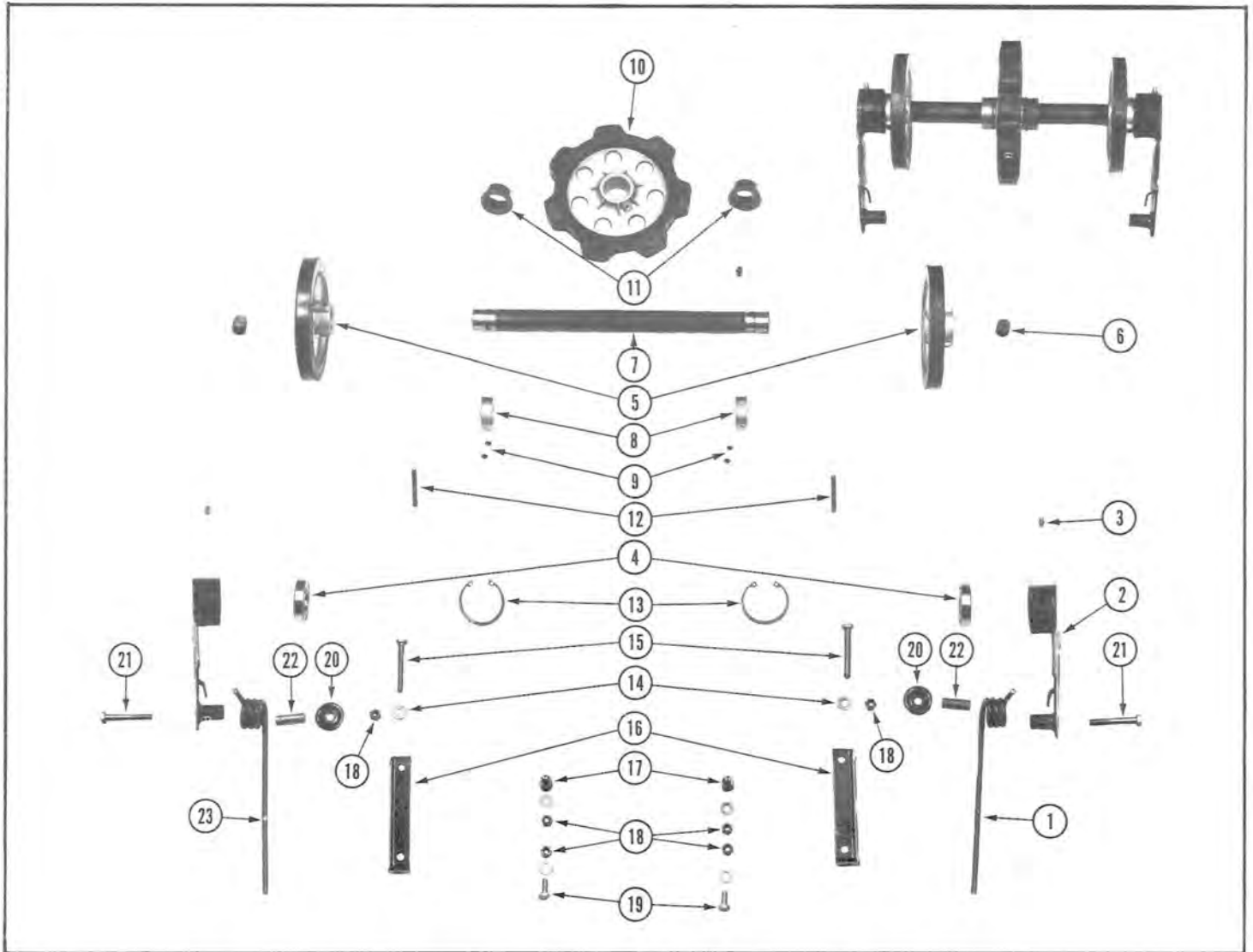


TRACK & SUSPENSION (FRONT AXLE) CAPRI



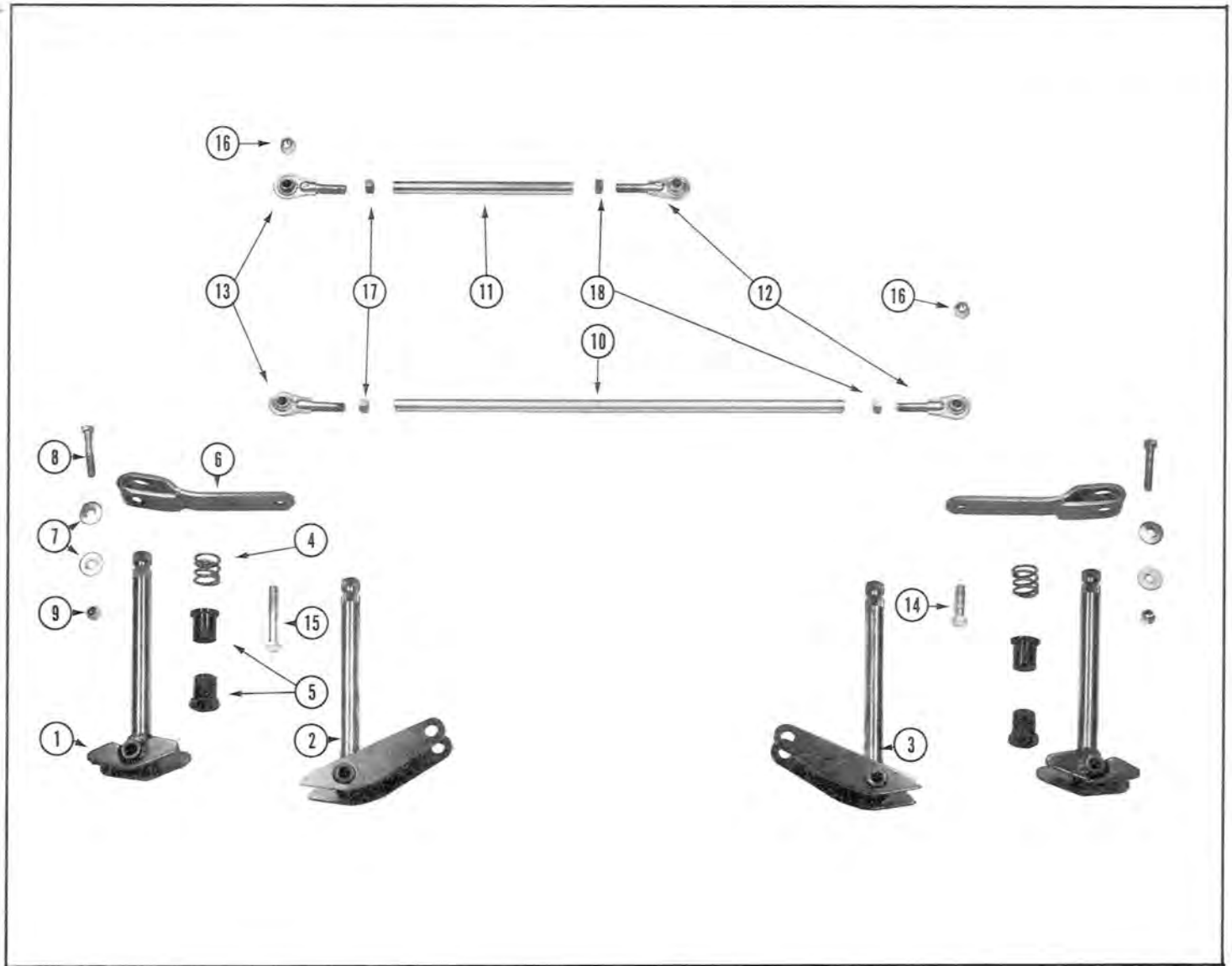
ITEM	NUMBER	DESCRIPTION	QTY	APPLICATION	ITEM	NUMBER	DESCRIPTION	QTY	APPLICATION
1	610015	NUT, NYLON LOCK	6	All Capri	15	680002	FITTING, GREASE	2	All Capri
2	600055	BOLT	3	"	16	040011	BUSHING, NYLON	4	"
3	640014	RING, SNAP	1	"	17	040025	FLANGE, BEARING SUPP. INNER	2	"
4	040013	SPROCKET, DRIVE	1	C.340-440	18	040024	FLANGE, BEARING SUPP. OUTER	2	"
5	040018	SPROCKET, DRIVE	1	C.296	19	040026	PLUG, ALUMINUM	2	"
6	660007	BEARING, BALL	2	All Capri	20	600046	BOLT	3	"
7	040039	SLEEVE, SPACER	1	"	22	680003	FITTING, GREASE	2	"
8	040045	AXLE, FRONT	1	"	23	710051	RING, "O"	1	"
9	600002	BOLT	4	"					
10	610004	NUT, NYLON LOCK	4	"					
12	040010	COLLAR, RETAINING	2	"					
13	600014	SCREW, ALLEN SET	4	"					
14	040023	WHEEL, IDLER FRONT	2	"					

TRACK & SUSPENSION (REAR AXLE) CAPRI



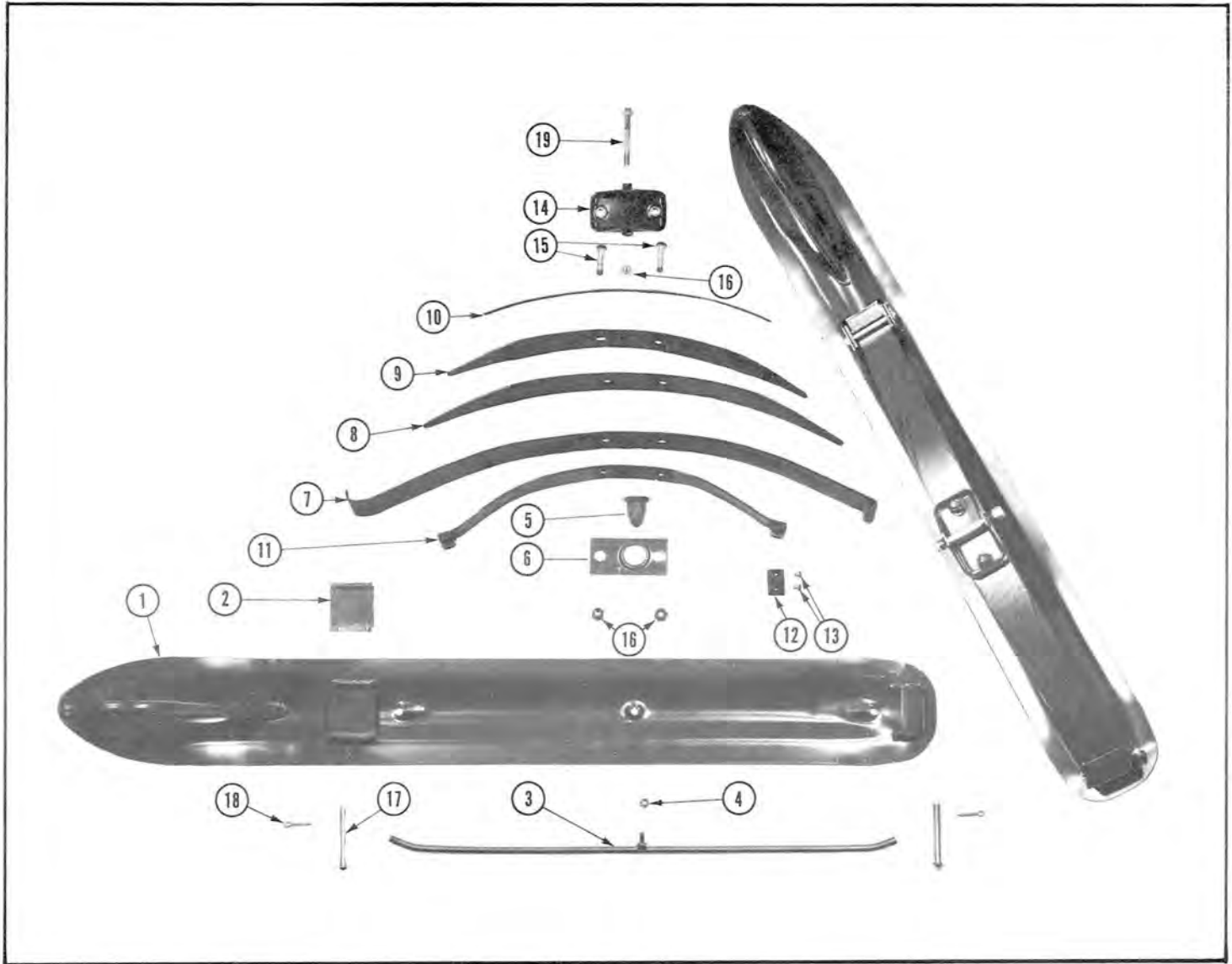
ITEM	NUMBER	DESCRIPTION	QTY	APPLICATION	ITEM	NUMBER	DESCRIPTION	QTY	APPLICATION
1	040033	SPRING, R.H. LINK PLATE	1	All Capri	14	620012	WASHER, FLAT	6	All Capri
2	040014	PLATE, LINK	2	"	15	600021	BOLT	2	"
3	680002	FITTING, GREASE	3	"	16	040043	BRACKET, ADJUSTING	2	"
4	660008	BEARING, BALL	2	"	17	040044	BOLT, EYE	2	"
5	040031	WHEEL, IDLER REAR	2	"	18	610015	NUT, NYLON LOCK	2	"
6	040004	PLUG, PLASTIC	2	"	19	600024	BOLT	2	"
7	040006	AXLE, REAR	1	"	20	040009	WASHER, RETAINING	2	"
8	040029	COLLAR, RETAINING	2	"	21	600055	BOLT	2	"
9	600014	SCREW, ALLEN SET	4	"	22	040008	SLEEVE, SPACER	2	"
10	040030	SPROCKET, REAR	1	"	23	040032	SPRING, L.H. LINK PLATE	2	"
11	040011	BUSHING, NYLON	2	"					
12	640019	PIN, ROLL	2	"					
13	640004	RING, SNAP	2	"					

SKI & STEERING (SKI LEG & ROD) CAPRI



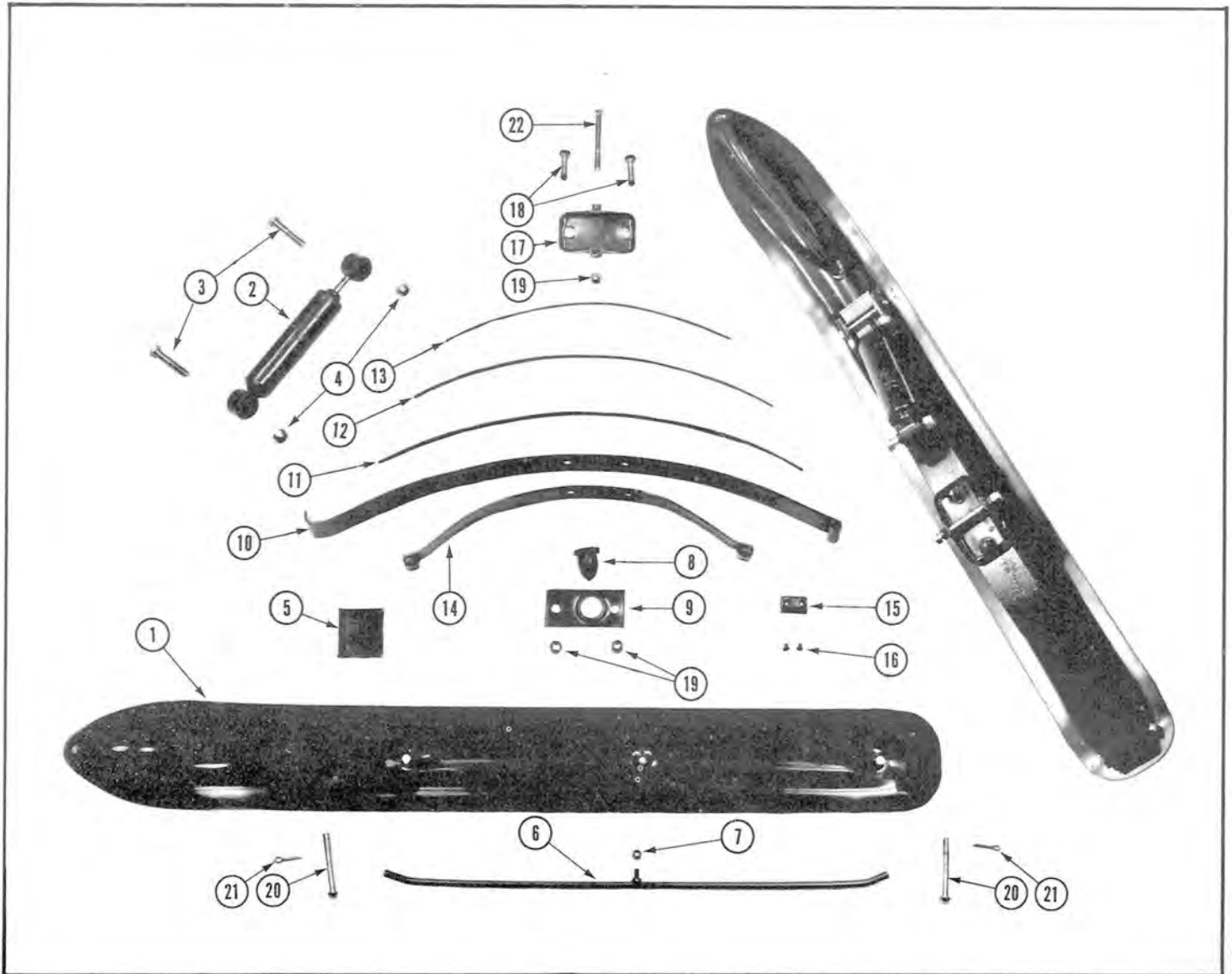
ITEM	NUMBER	DESCRIPTION	QT'Y	APPLICATION	ITEM	NUMBER	DESCRIPTION	QT'Y	APPLICATION
1	021149	LEG, SKI	2	C.296-340-440	13	670007	TIE ROD END R.H.	2	All Capri
2	021185	LEG, SKI R.H.	1	C.340-340SS-440	14	600044	BOLT	1	"
3	021186	LEG, SKI L.H.	1	C.340-340SS-440	15	600109	BOLT	1	"
4	020039	SPRING	2	All Capri	16	610013	NUT, NYLON LOCK	2	"
5	020051	BUSHING, NYLON	4	"	17	610012	NUT, R.H. THREAD	2	"
6	020040	ARM, STEERING	2	"	18	020081	NUT, L.H. THREAD	2	"
7	020041	WASHER, FLAT	4	"					
8	600108	BOLT	2	"					
9	610015	NUT, NYLON LOCK	2	"					
10	020008	TIE ROD LONG	1	"					
11	020007	TIE ROD SHORT	1	"					
12	670005	TIE ROD END L.H.	2	"					

SKI & STEERING (SKI) CAPRI



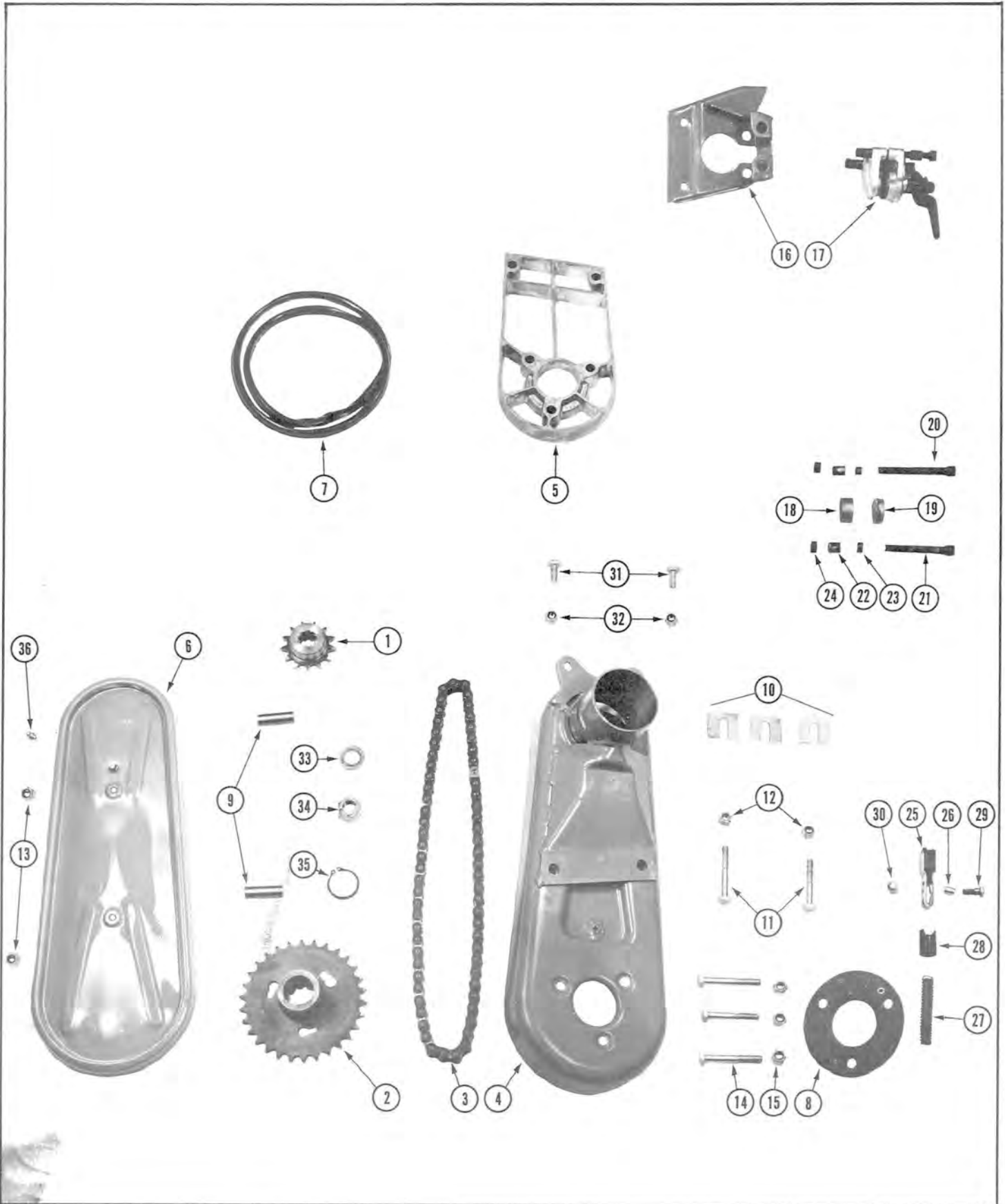
ITEM	NUMBER	DESCRIPTION	QT'Y	APPLICATION	ITEM	NUMBER	DESCRIPTION	QT'Y	APPLICATION
1	021144	SKI	2	C.292	13	630047	RIVET	8	All Capri
2	020020	PLATE, SPRING SLIDING	2	All Capri	14	021126	COUPLER, SPRING	2	"
3	020024	SHOE, SKI RUNNER	2	"	15	600040	BOLT	4	"
4	610004	NUT, NYLON LOCK	2	"	16	610013	NUT, NYLON LOCK	6	"
5	020026	ABSORBER, RUBBER	2	"	17	020033	PIN, CLEVIS (F & R)	4	"
6	020025	LEAF, REBOUND	2	"	18	640012	PIN, CUTTER	4	"
7	021146	LEAF, SPRING MAIN	2	"	19	600020	BOLT	2	"
8	021147	LEAF, SPRING SECOND	2	"					
9	020028	LEAF, SPRING THIRD	2	"					
10	020029	LEAF, SPRING FOURTH	2	"					
11	021148	LEAF, SPRING OVERLOAD	2	"					
12	021153	ABSORBER, RUBBER	4	"					

SKI & STEERING (SKI WITH SHOCK ABSORBER) CAPRI

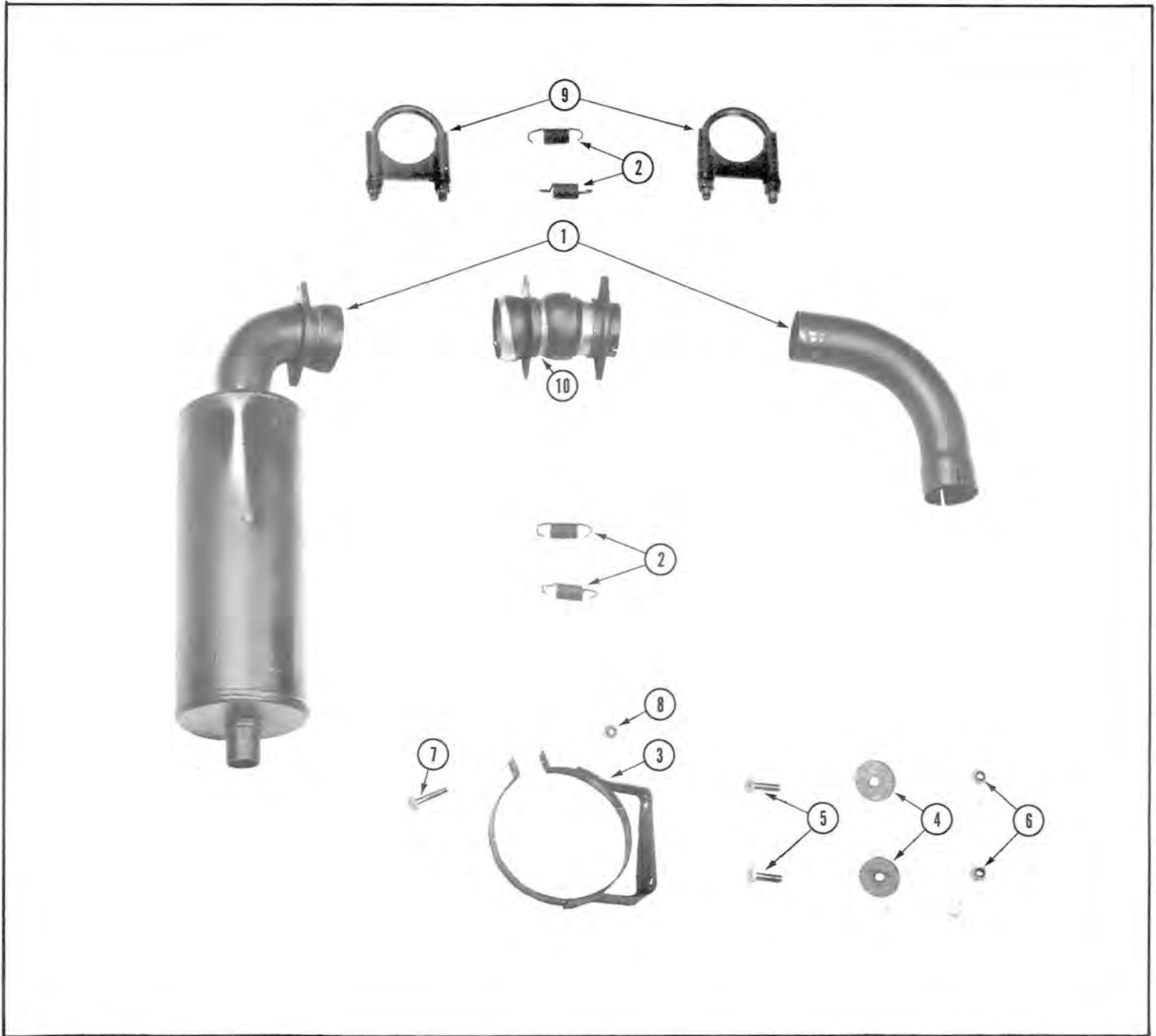


ITEM	NUMBER	DESCRIPTION	QT'Y	APPLICATION	ITEM	NUMBER	DESCRIPTION	QT'Y	APPLICATION
1	021187	SKI, (FOR SHOCK)	2	All Capri Exc. 296	13	020029	LEAF, SPRING FOURTH	2	All Capri Exc. 296
2	710028	SHOCK, (FOR SKI)	2	"	14	021148	LEAF, SPRING OVERLOAD	2	"
3	600280	BOLT	4	"	15	021153	ABSORBER, RUBBER	2	"
4	610042	NUT, NYLON LOCK	4	"	16	630047	RIVET	8	"
5	020020	PLATE, SPRING SLIDING	2	"	17	021126	COUPLER, SPRING	2	"
6	020024	SHOE, SKI RUNNER	2	"	18	600040	BOLT	4	"
7	610004	NUT, NYLON LOCK	2	"	19	610013	NUT, NYLON LOCK	6	"
8	020026	ABSORBER, RUBBER	2	"	20	020033	PIN, CLEVIS (F & R)	4	"
9	020025	LEAF, REBOUND	2	"	21	640012	PIN, CUTTER	4	"
10	021146	LEAF, SPRING MAIN	2	"	22	600020	BOLT	2	"
11	021147	LEAF, SPRING SECOND	2	"					
12	020028	LEAF, SPRING THIRD	2	"					

TRANSMISSION (CHAIN CASE & BRAKE) CAPRI

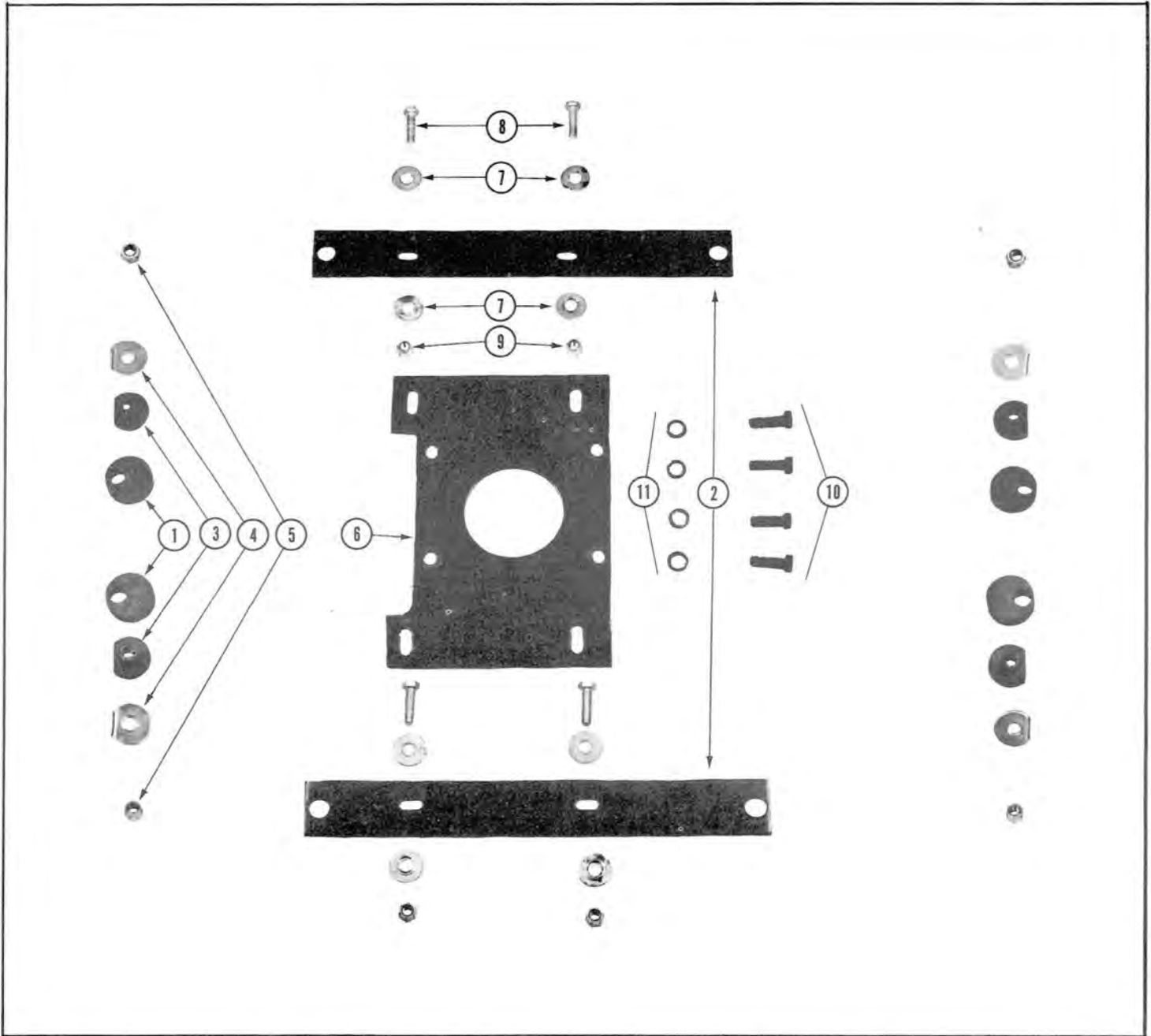


FUEL & EXHAUST (MUFFLER) CAPRI



ITEM	NUMBER	DESCRIPTION	QT'Y	APPLICATION	ITEM	NUMBER	DESCRIPTION	QT'Y	APPLICATION
1	101142	MUFFLER ASS'Y	1	C.296	7	600137	BOLT	1	All Capri
1	101131	MUFFLER ASS'Y	1	C.340-440	8	610016	NUT, NYLON LOCK	1	"
2	101139	SPRING	4	C.296	9	111122	CLAMP, "U"	2	C.340-440
2	101132	SPRING	4	C.340-440	10	101162	JOINT CENTER W/FLANGE	1	All Capri
3	101137	SUPPORT (MUFFLER)	1	All Capri					
4	101117	WASHER, (ASBESTOS)	2	"					
5	600046	BOLT	2	"					
6	610015	NUT, NYLON LOCK	2	"					

ENGINE ATTACHMENT (MOTOR MOUNT) CAPRI



ITEM	NUMBER	DESCRIPTION	QT'Y	APPLICATION	ITEM	NUMBER	DESCRIPTION	QT'Y	APPLICATION
1	050011	PAD, RUBBER	4	All Capri	8	600019	BOLT	4	All Capri
2	050069	LEAF, ENGINE BASE	2	"	9	610013	NUT, NYLON LOCK	4	"
3	050010	BUSHING, RUBBER	4	"	10	600064	BOLT	4	"
4	050012	WASHER, SPECIAL	4	"	11	620016	WASHER, LOCK	4	"
5	610024	NUT, NYLON LOCK	4	"					
6	051125	BASE, ENGINE	1	C. 296					
6	050025	BASE, ENGINE	1	C. 340-440					
7	050004	FLAT, WASHER	8	All Capri					