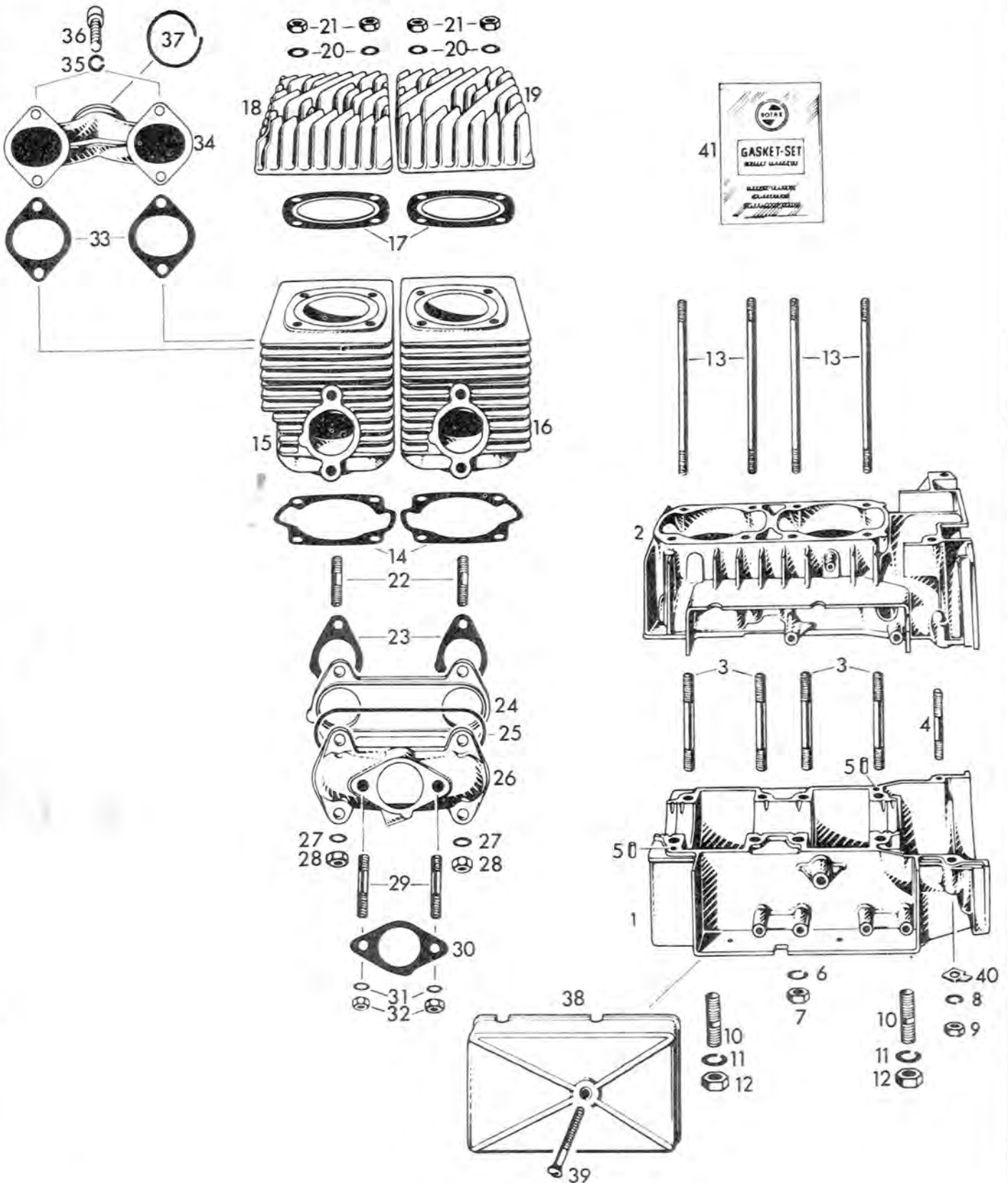




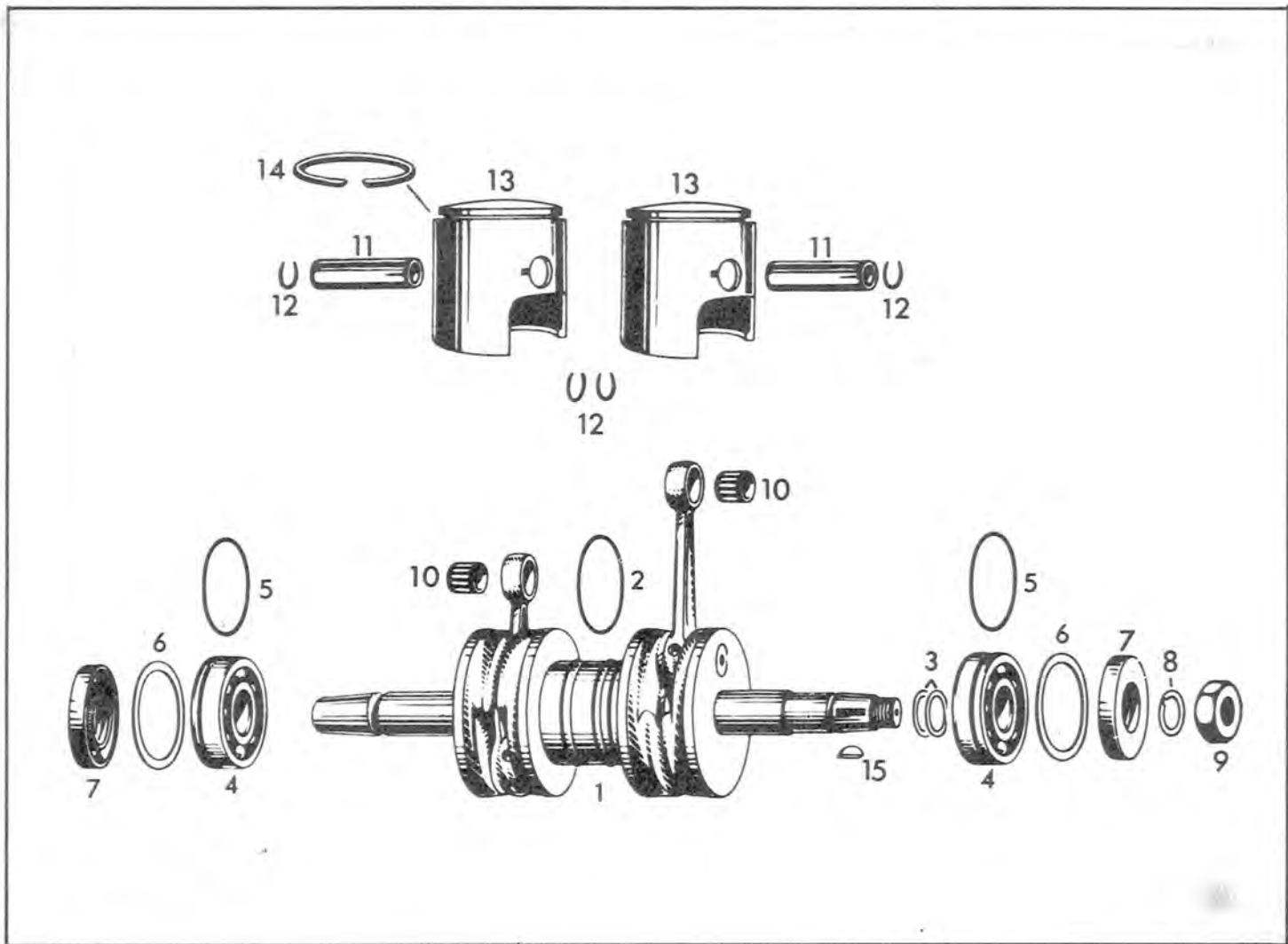
296 - 399 - 439

PARTS CATALOGUE

CRANKCASE & CYLINDERS (BSE 296)

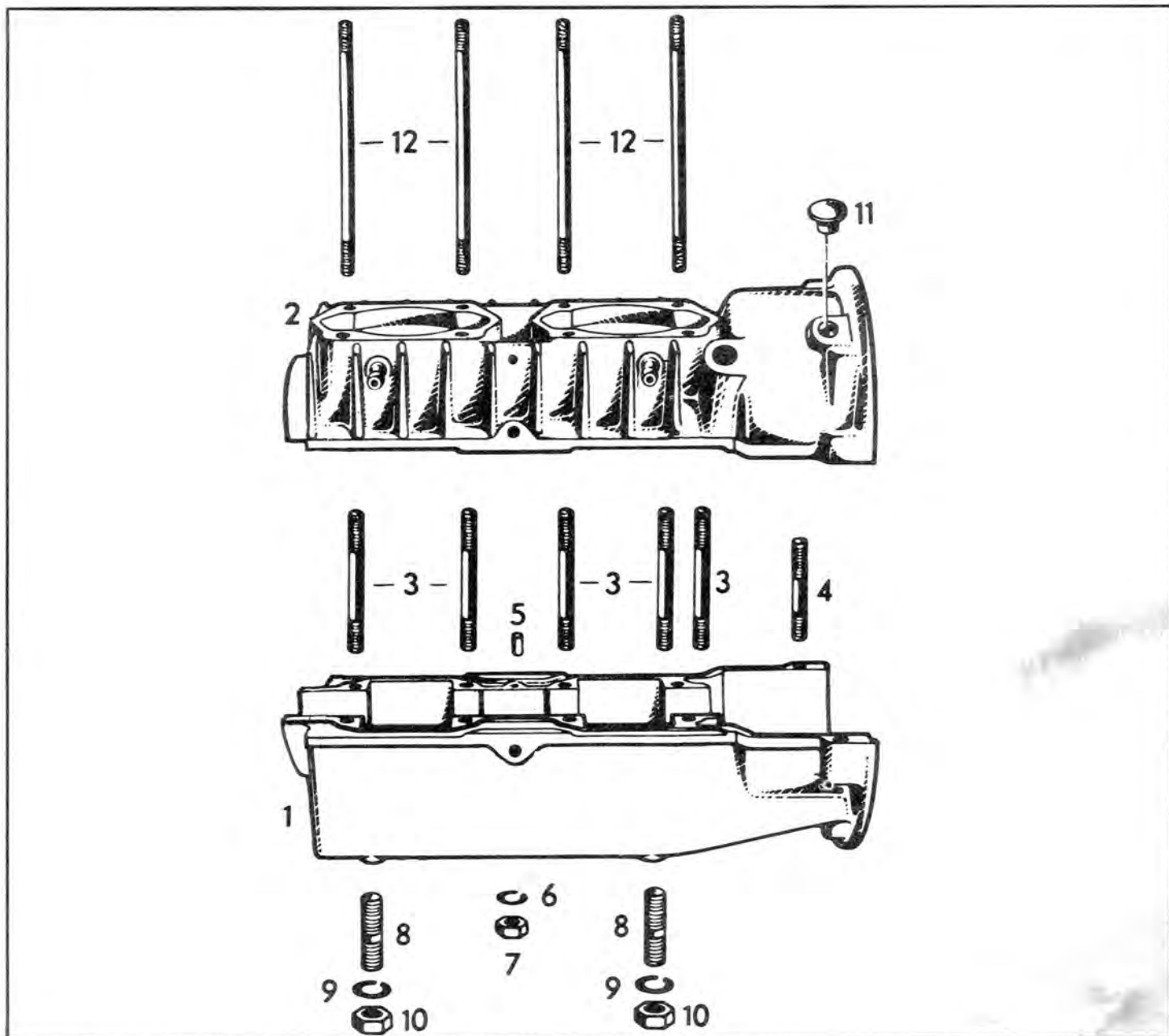


CRANKSHAFT & PISTONS (BSE 296)



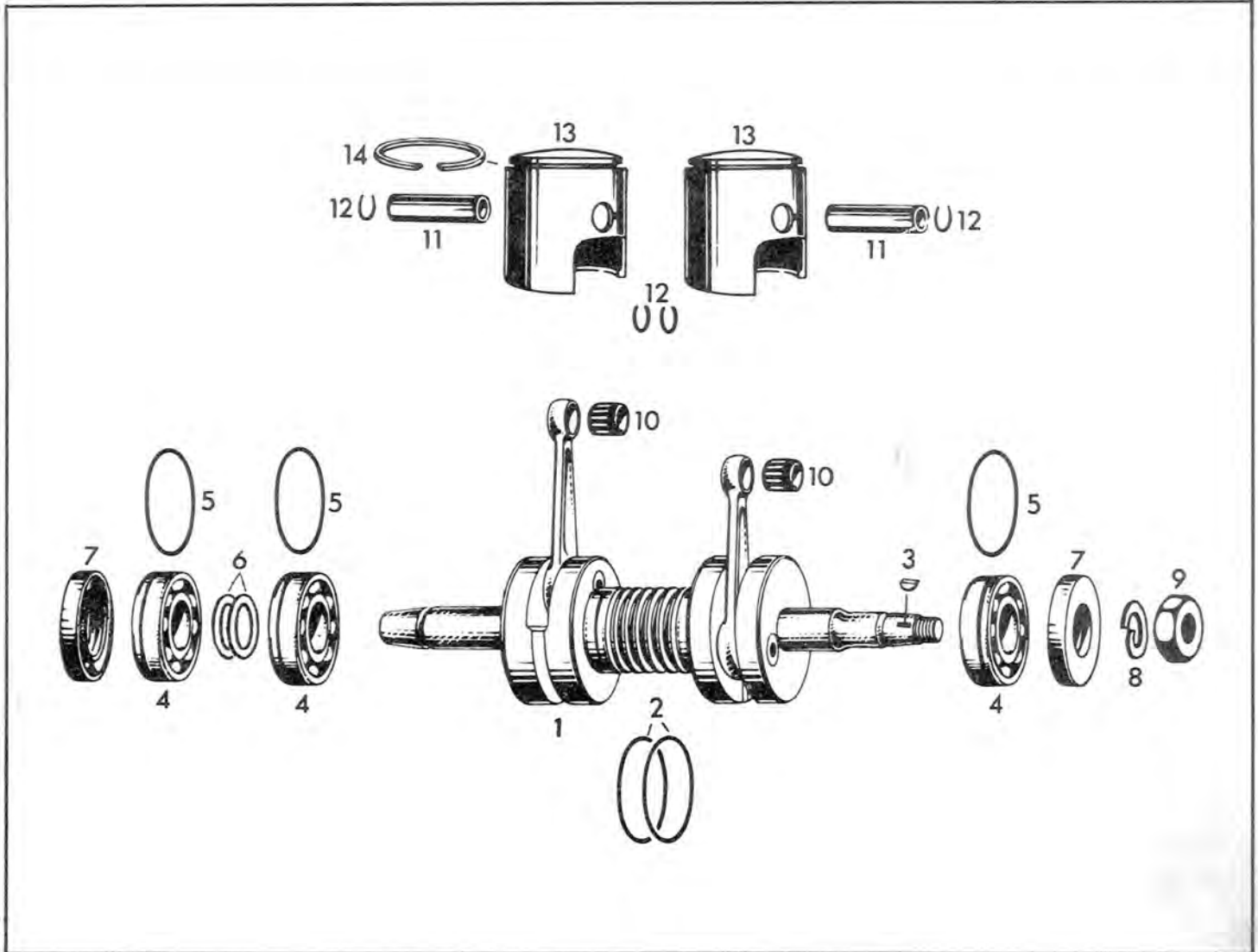
ITEM	NUMBER	DESCRIPTION	QT'Y	ITEM	NUMBER	DESCRIPTION	QT'Y
1	803011	CRANKSHAFT ASS'Y (INCL.2)	1	9	802024	HEX. NUT	1
2	803003	"O" RING	2	10	803006	NEEDLE CAGE	2
3	806002	SHIM 0,2 mm	A.R	11	804001	GUDGEON PIN	2
3	806003	SHIM 0,3 mm	"	12	804016	CIRCLIP, GUDGEON PIN	4
3	806004	SHIM 0,5 mm	"	13	804019	PISTON ASS'Y 57,0 ϕ ST.	2
3	806005	SHIM 1,0 mm	"	13	804020	PISTON ASS'Y 57,5 ϕ , 1st OVERSIZE	2
3	806006	SHIM 0,1 mm	"	14	804021	L-TRAPEZ RING 57,0 ϕ , STD.	2
4	803005	BALL BEARING	2	14	804022	L-TRAPEZ RING 57,5 ϕ , 1st OVERSIZE	2
5	803003	"O" RING	2	15	806008	WOODRUFF KEY	1
6	803002	RETAINING WASHER	2				
7	803004	OIL SEAL	2				
8	802028	LOCK WASHER	1				

CRANKCASE (BSE 399 & 439)



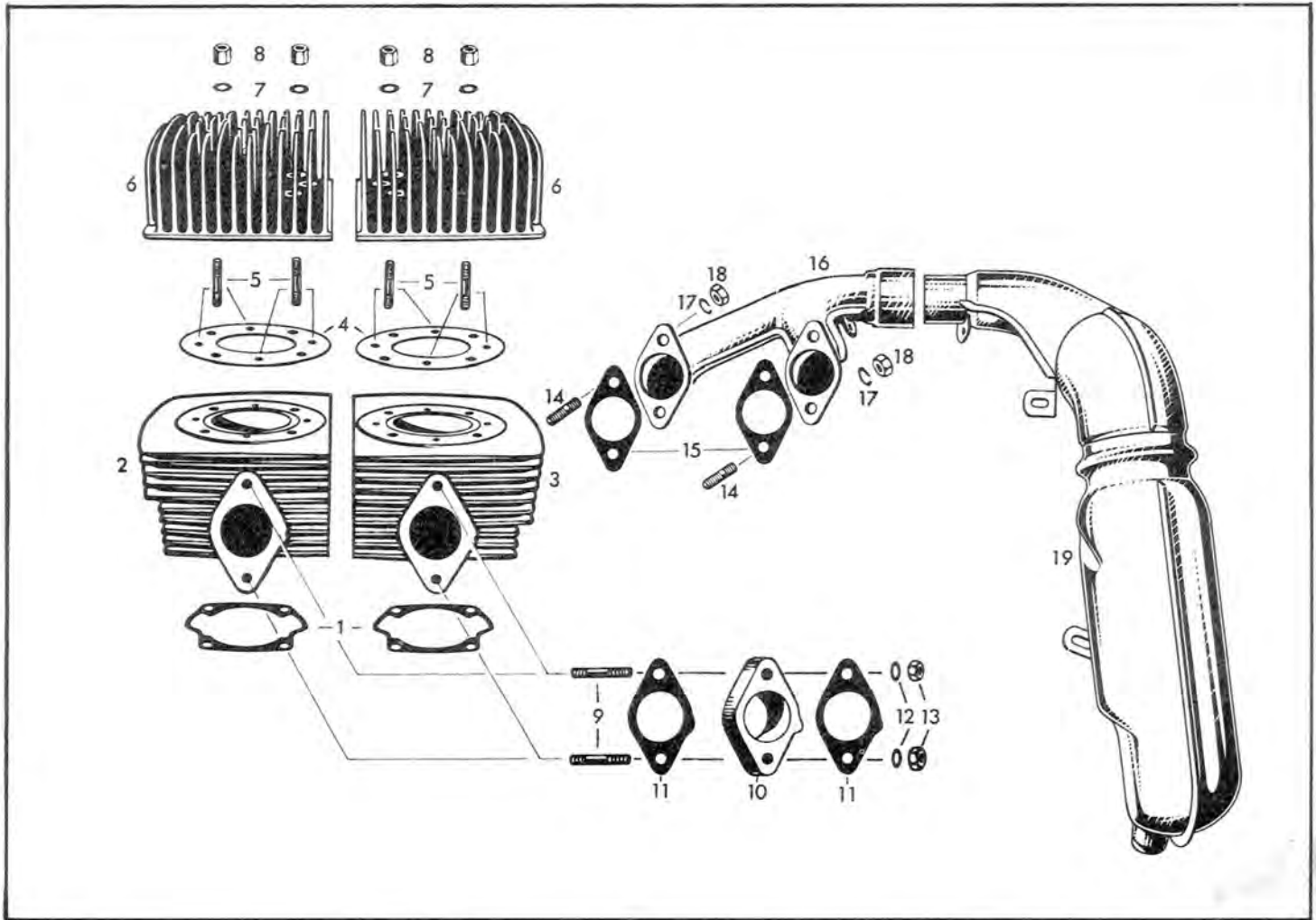
ITEM	NUMBER	DESCRIPTION	QT'Y 399	QT'Y 439	ITEM	NUMBER	DESCRIPTION	QT'Y 399	QT'Y 439
1	803012	CRANKCASE ASS'Y (INCL. 2-3-4-5-7)	1	1	10	802061	HEX. NUT	4	4
3	803009	STUD	8	8	11	803014	PLUG	1	1
4	802058	STUD	2	2	12	802062	STUD, CYLINDER	8	-
5	803008	DOWEL PIN	1	1	13	804067	STUD, CYLINDER	-	8
6	802027	LOCK WASHER	10	10					
7	802020	HEX. NUT	10	10					
8	802059	STUD	4	4					
9	802060	LOCK WASHER	4	4					

CRANKSHAFT & PISTONS (BSE 399 & 439)



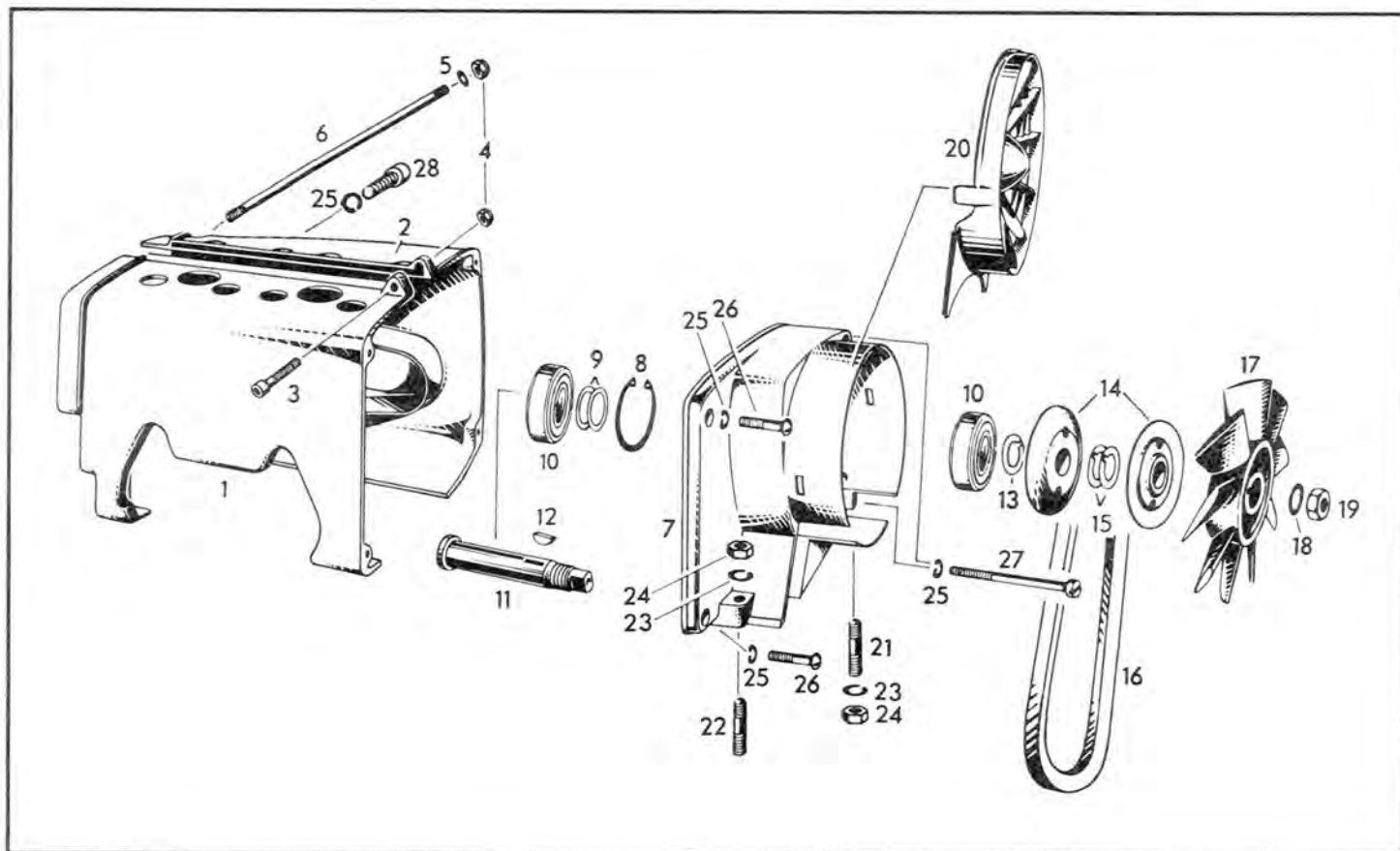
ITEM	NUMBER	DESCRIPTION	QT'Y 399	QT'Y 439	ITEM	NUMBER	DESCRIPTION	QT'Y 399	QT'Y 439
1	803015	CRANKSHAFT ASS'Y (INCL.2)	1	1	12	804026	CIRCLIP, GUDGEON PIN	4	4
2	803016	"O" RING	2	2	13	804027	PISTON ASS'Y 64,5 φ, STD.	2	-
3	806008	WOODRUFF KEY	1	1	13	804029	PISTON ASS'Y 64,75 φ, 1st OVERSIZE	2	-
4	803017	BALL BEARING	3	3	13	804043	PISTON ASS'Y 67,5 φ, STD.	-	2
5	803016	"O" RING	3	3	13	804045	PISTON ASS'Y 67,75 φ, 1st OVERSIZE	-	2
6	803019	SHIM 1,0 mm	2	2	14	804028	L-TRAPEZ RING 64,5 φ, STD.	2	-
7	803042	OIL SEAL	2	2	14	804041	L-TRAPEZ RING 64,75 φ, 1st OVERSIZE	2	-
8	802093	LOCK WASHER	1	1	14	804044	L-TRAPEZ RING 67,5 φ, STD.	-	2
9	802064	HEX. NUT	1	1	14	804050	L-TRAPEZ RING 67,75 φ, 1st OVERSIZE	-	2
10	804024	NEEDLE CAGE	2	2					
11	804025	GUDGEON PIN	2	-					
11	804042	GUDGEON PIN	-	2					

CYLINDER & MUFFLER (BSE 399 & 439)



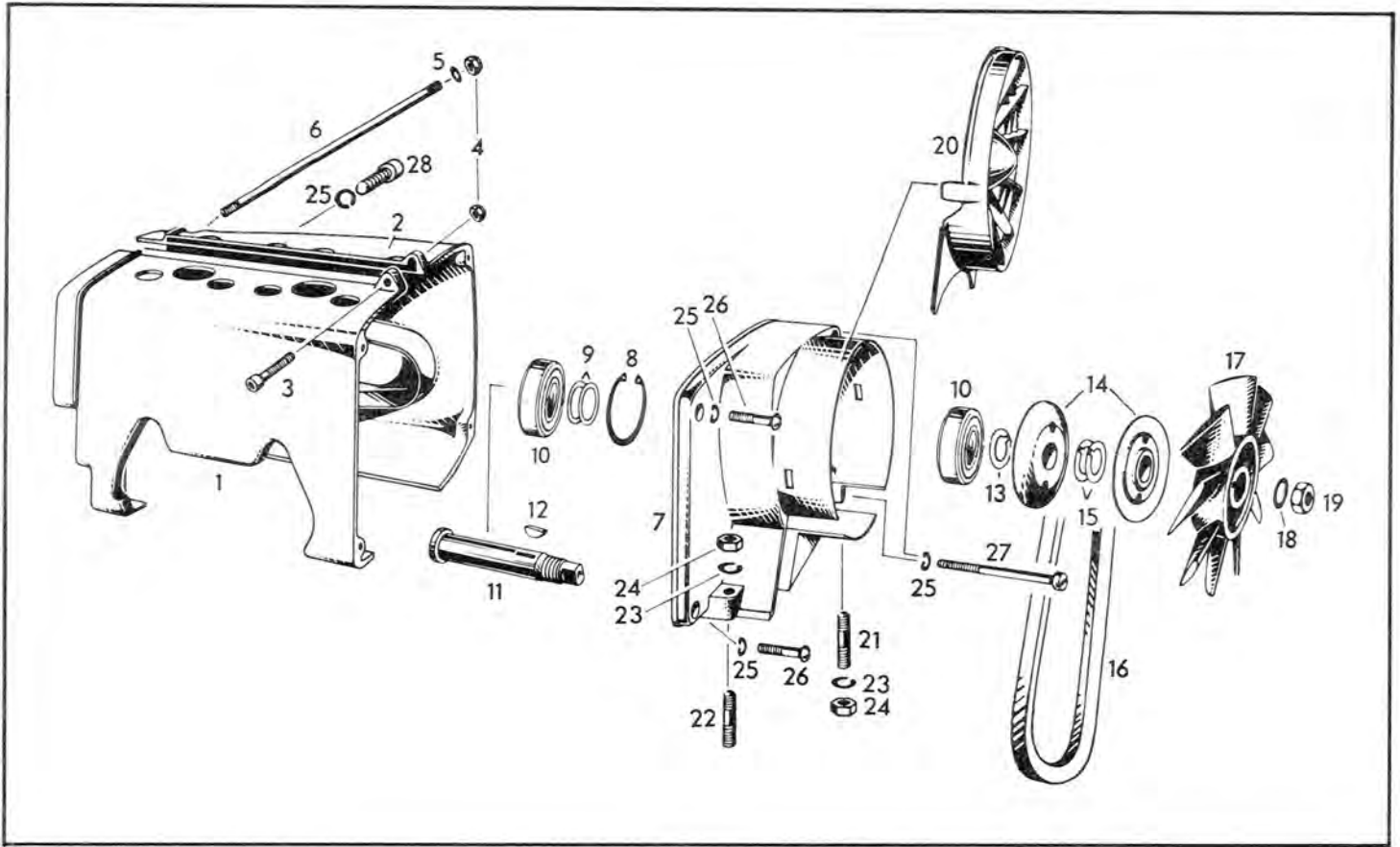
ITEM	NUMBER	DESCRIPTION	QT'Y 399	QT'Y 439	ITEM	NUMBER	DESCRIPTION	QT'Y 399	QT'Y 439
1	804030	GASKET, CYLINDER	2	2	11	816138	TILLOTSON CARBURATER FLANGE GASKET	4	4
2	804031	CYLINDER W/SLEEVE, P.T.O. SIDE	1	-	12	804007	INSULATING WASHER	4	4
2	804048	CYLINDER W/SLEEVE, P.T.O. SIDE	-	1	13	802020	HEX. NUT	4	4
3	804032	CYLINDER W/SLEEVE, MAGNETO SIDE	1	-	14	804037	STUD	4	4
3	804049	CYLINDER W/SLEEVE, MAGNETO SIDE	-	1	15	804069	GASKET, EXHAUST MANIFOLD	2	2
4	804033	GASKET, CYLINDER HEAD	2	-	16	804070	EXHAUST MANIFOLD	1	1
4	804047	GASKET, CYLINDER HEAD	-	2	17	802027	LOCK WASHER	4	4
5	802065	STUD	4	8	18	802019	HEX. NUT	4	4
6	804034	CYLINDER HEAD	2	-	19	804071	TUNED MUFFLER ASS'Y	1	1
6	804046	CYLINDER HEAD	-	2					
7	802030	WASHER	12	16					
8	802067	HEX. NUT	12	16					
9	804068	STUD	4	4					
10	804036	INSULATING FLANGE	2	2					

COOLING FAN (BSE 296)



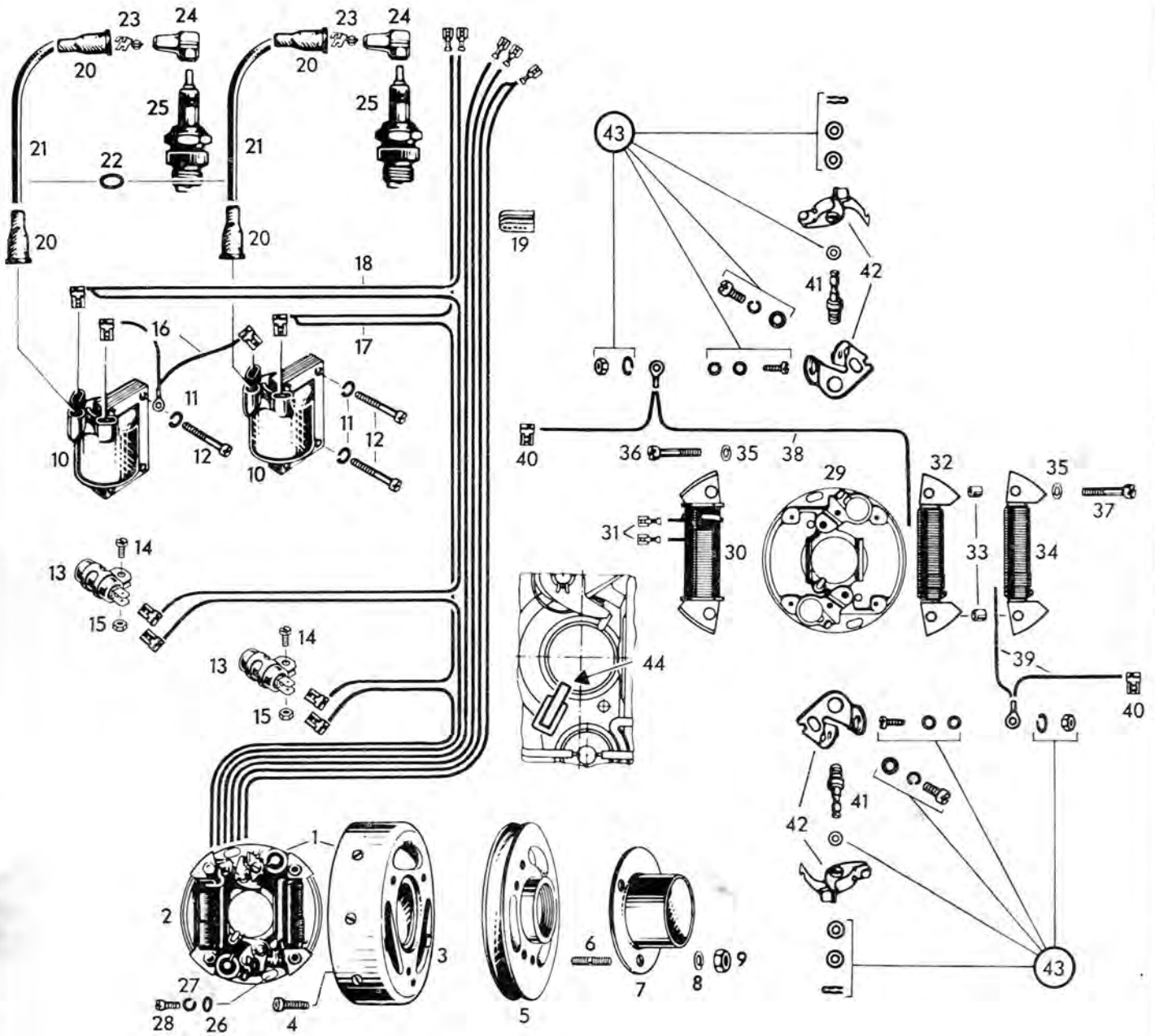
ITEM	NUMBER	DESCRIPTION	QT'Y	ITEM	NUMBER	DESCRIPTION	QT'Y
1	805002	CYLINDER COWL LEFT	1	17	805010	FAN	1
2	805003	CYLINDER COWL RIGHT	1	18	802029	LOCKING WASHER	1
3	802011	CYL. SCREW	1	19	802025	HEX. NUT	1
4	802023	HEX. NUT	3	20	805011	FAN COVER	1
5	802001	WASHER	2	21	802013	STUD	1
6	804015	STUD	2	22	802018	STUD	1
7	805001	FAN HOUSING	1	23	802027	LOCK WASHER	2
8	805007	LOCKING RING	1	24	802020	HEX. NUT	2
9	805006	SHIM 1 mm	2	25	802026	LOCK WASHER	5
10	805004	BALL BEARING	2	26	802003	CYL. SCREW	2
11	805005	FAN SHAFT	1	27	802010	CYL. SCREW	2
12	805008	WOODRUFF KEY	1	28	802016	CYL. SCREW	1
13	803001	SHIM	A.R				
14	805012	PULLEY HALF	2				
15	803001	SHIM	5				
16	805013	V-BELT	1				

COOLING FAN (BSE 296)



ITEM	NUMBER	DESCRIPTION	QT'Y	ITEM	NUMBER	DESCRIPTION	QT'Y
1	805002	CYLINDER COWL LEFT	1	17	805010	FAN	1
2	805003	CYLINDER COWL RIGHT	1	18	802029	LOCKING WASHER	1
3	802011	CYL. SCREW	1	19	802025	HEX. NUT	1
4	802023	HEX. NUT	3	20	805011	FAN COVER	1
5	802001	WASHER	2	21	802013	STUD	1
6	804015	STUD	2	22	802018	STUD	1
7	805001	FAN HOUSING	1	23	802027	LOCK WASHER	2
8	805007	LOCKING RING	1	24	802020	HEX. NUT	2
9	805006	SHIM 1 mm	2	25	802026	LOCK WASHER	5
10	805004	BALL BEARING	2	26	802003	CYL. SCREW	2
11	805005	FAN SHAFT	1	27	802010	CYL. SCREW	2
12	805008	WOODRUFF KEY	1	28	802016	CYL. SCREW	1
13	803001	SHIM	A.R				
14	805012	PULLEY HALF	2				
15	803001	SHIM	5				
16	805013	V-BELT	1				

MAGNETO GENERATOR (BSE 296)

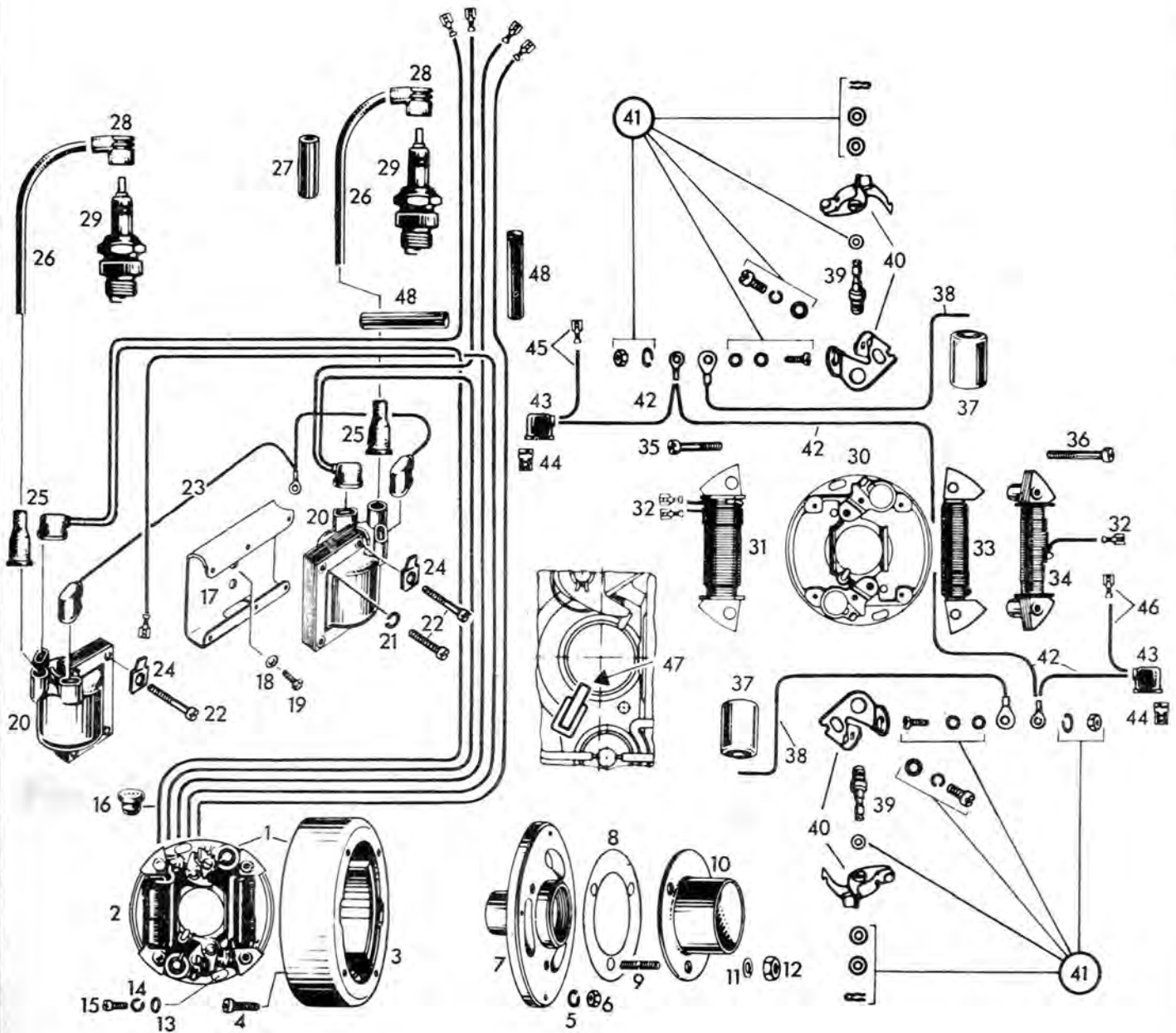


MAGNETO GENERATOR (BSE 296)

ITEM	NUMBER	DESCRIPTION	QT'Y	ITEM	NUMBER	DESCRIPTION	QT'Y
1	806022	MAGNETO GENERATOR ASS'Y, 12 V-55/18 W	1	25	802038	SPARK PLUG W 260 T1	2
2	806023	ARMATURE PLATE ASS'Y	1	26	802002	WASHER	2
3	806024	MAGNETO RING	1	27	806007	LOCK WASHER	2
4	802012	CYL. SCREW	3	28	802015	CYL. SCREW	2
5	806017	MAGNETO HOUSING	1	29	806025	ARMATURE PLATE ALONE	1
6	802006	STUD	3	30	806026	LIGHTING COIL W/CABLE ASS'Y	1
7	805009	STARTING PULLEY	1	31	806027	FASTON CONNECTOR	3
8	802026	LOCK WASHER	3	32	806028	GENERATOR COIL	1
9	802021	HEX. NUT	3	33	806029	DISTANCE SLEEVE	2
10	806021	IGNITION COIL	2	34	806030	BRAKE LIGHT COIL W/CABLE ASS'Y	1
11	806007	LOCK WASHER	6	35	802032	LOCK WASHER	4
12	802005	CYL. SCREW	6	36	802033	CYL. SCREW	2
13	806018	CONDENSER W/CLAMP	2	37	802034	CYL. SCREW	2
14	802014	CYL. SCREW	2	38	806059	GENERATOR CABLE ASS'Y (BLUE-RED-BLACK)	1
15	802022	HEX. NUT	2	39	802055	GENERATOR CABLE ASS'Y (BLUE-BLACK)	1
16	806012	MASS CABLE ASS'Y	1	40	806031	FASTON CONNECTOR	2
17	806020	SHORTING CABLE ASS'Y, MAGNETO SIDE	1	41	806032	PIVOT PIN, CONTACT BREAKER	2
18	806019	SHORTING CABLE ASS'Y, P.T.O. SIDE	1	42	806033	CONTACT POINTS SET	2
19	806011	CABLE GROMMET	1	43	806034	PARTS SET, ARMATURE PLATE	2
20	806010	PROTECTION CAP	4	44	806035	LUBRICATING WICK	1
21	806013	IGNITION CABLE	2				
22	806001	RUBBER RING	1				
23	806015	CLAMP, SPARK PLUG PROTECTOR	2				
24	806014	CAP	2				

NOTES

MAGNETO GENERATOR (BSE 399 & 439)

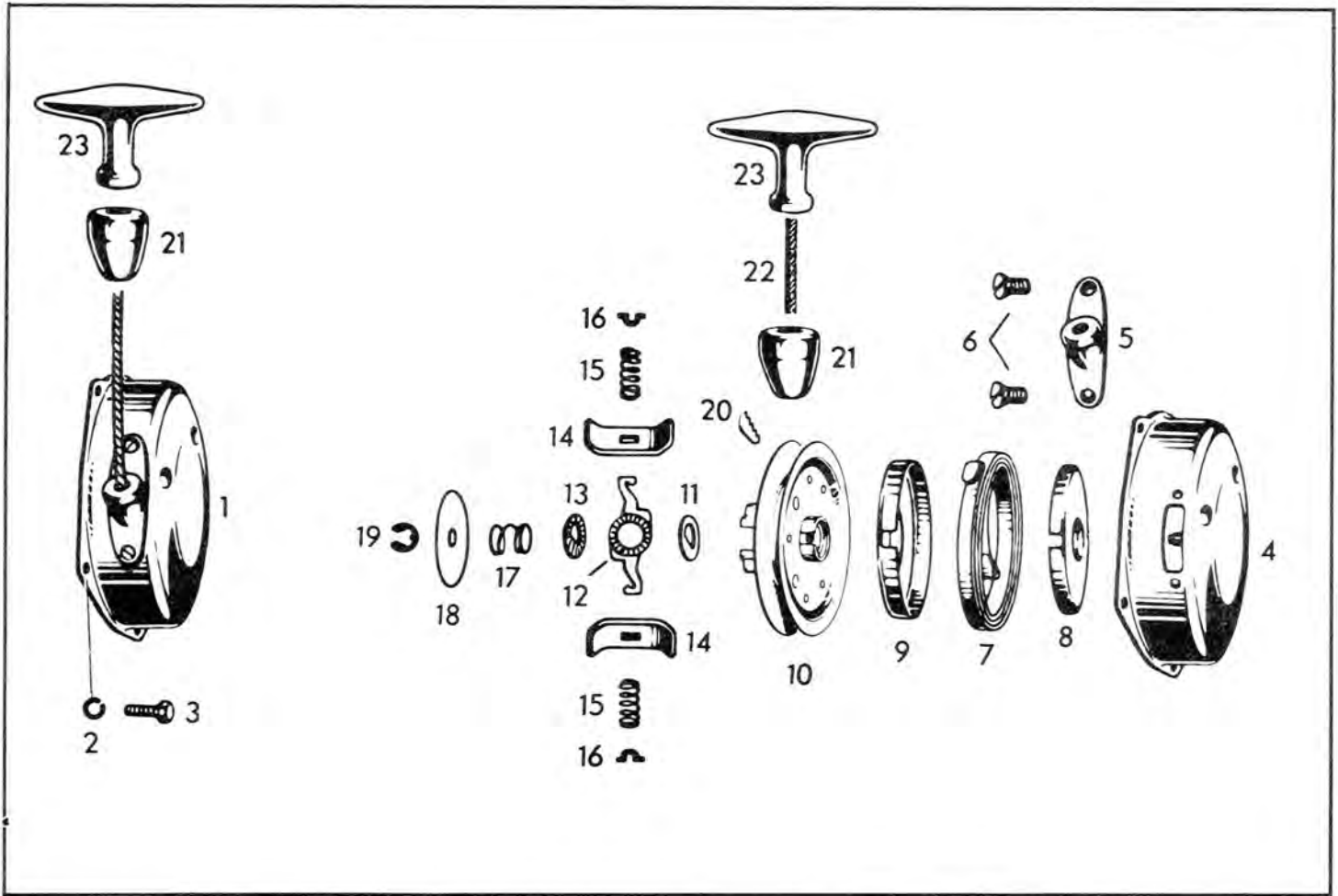


MAGNETO GENERATOR (BSE 399 & 439)

ITEM	NUMBER	DESCRIPTION	QTY 399	QTY 439	ITEM	NUMBER	DESCRIPTION	QTY 399	QTY 439
1	806036	MAGNETO GENERATOR ASS'Y, 12 V 75/23 W	1	1	27	806051	RUBBER SLEEVE	1	1
2	806037	ARMATURE PLATE ASS'Y	1	1	28	806052	SPARK PLUG PROTECTOR	2	2
3	806038	MAGNETO RING	1	1	29		SPARK PLUG W 280 M 2	2	2
4	802069	CYL. SCREW W/INT. HEX.	4	4	30	806053	ARMATURE PLATE ALONE	1	1
5	802091	WASHER	4	4	31	806054	LIGHTING COIL W/2 CABLES YEL/GR.	1	1
6	802021	HEX. NUT	4	4	32	806027	FASTON CONNECTOR	3	3
7	806039	MAGNETO HOUSING	1	1	33	806055	GENERATOR COIL	1	1
8	806044	COVER WASHER	1	1	34	806086	BRAKE LIGHT COIL W/CABLE	1	1
9	802070	STUD	3	3	35	802090	CYL. SCREW	2	2
10	806045	STARTING PULLEY	1	1	36	802089	CYL. SCREW	2	2
11	802027	LOCK WASHER	3	3	37	806085	CONDENSER WITHOUT CABLE	2	2
12	802019	HEX. NUT	3	3	38	806056	CABLE CONDENSER	2	2
13	802002	WASHER	2	2	39	806057	PIVOT PIN, CONTACT BREAKER	2	2
14	806007	LOCK WASHER	2	2	40	806084	CONTACT BREAKER SET	2	2
15	802015	CYL. SCREW W/INT. HEX.	2	2	41	806058	PARTS SET	2	2
16	806046	CABLE GROMMET	1	1	42	802055	GENERATOR CABLE ASS'Y (BLUE-BLACK)	1	1
17	806047	COIL MOUNTING FLANGE	1	1	42	806059	GENERATOR CABLE ASS'Y (BLUE-RED-BLACK)	1	1
18	802026	LOCK WASHER	2	2	43	806060	RUBBER CAP	2	2
19	802071	HEX. SCREW	2	2	44	806031	FASTON CONNECTOR	2	2
20	806021	IGNITION COIL	2	2	45	806061	SHORTING CABLE BLUE W/CONN.	1	1
21	806007	LOCK WASHER	6	6	46	806088	SHORTING CABLE BLACK W/CONN.	1	1
22	802079	CYL. SCREW	6	6	47	806035	LUBRICATING WICK	1	1
23	806048	MASS CABLE ASS'Y, YELLOW	1	1	48	806063	RUBBER SLEEVE	2	2
24	806087	CONNECTOR	2	2					
25	806010	PROTECTION CAP	2	2					
26	806050	IGNITION CABLE	2	2					

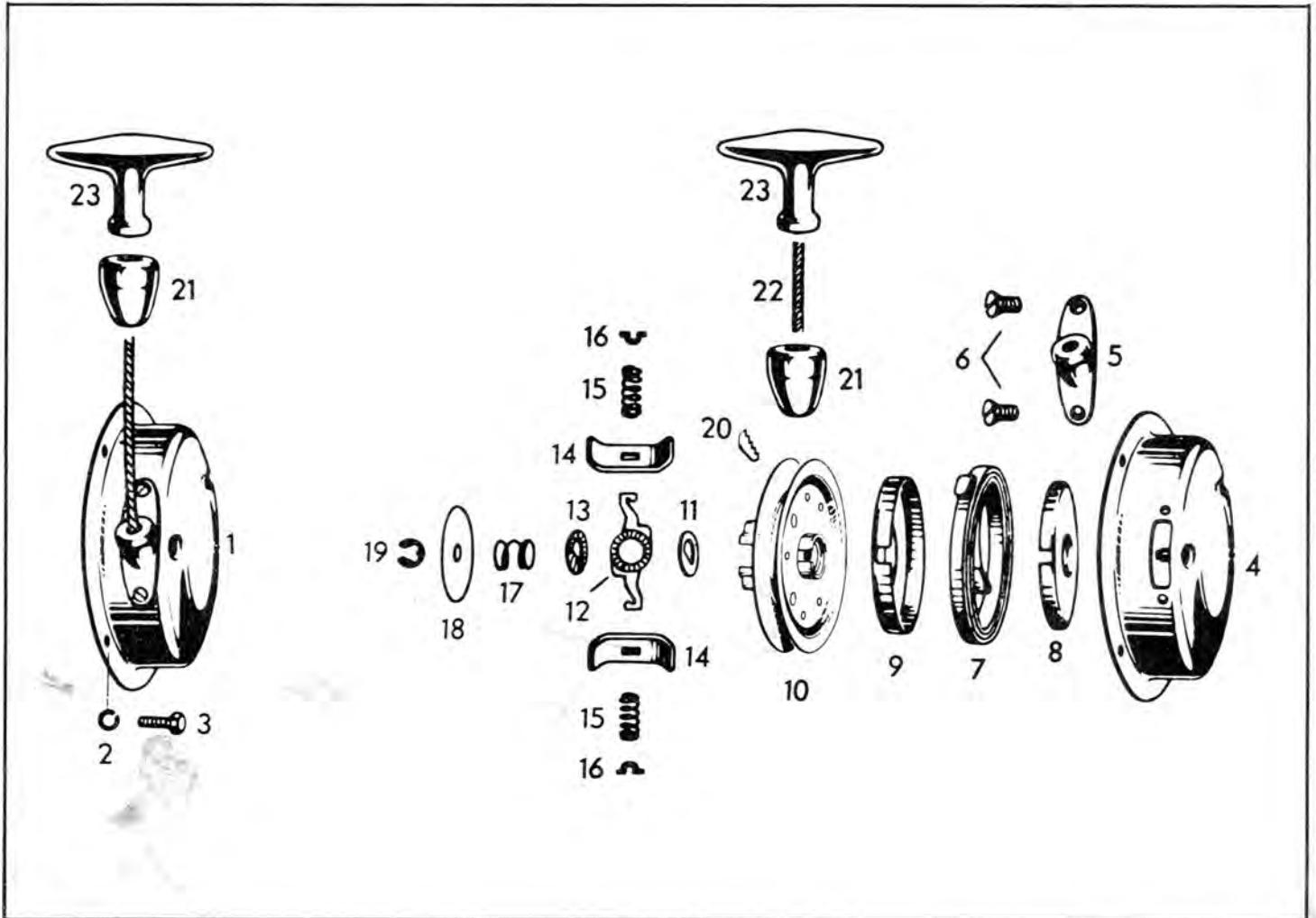
NOTES

STARTER (BSE 296)



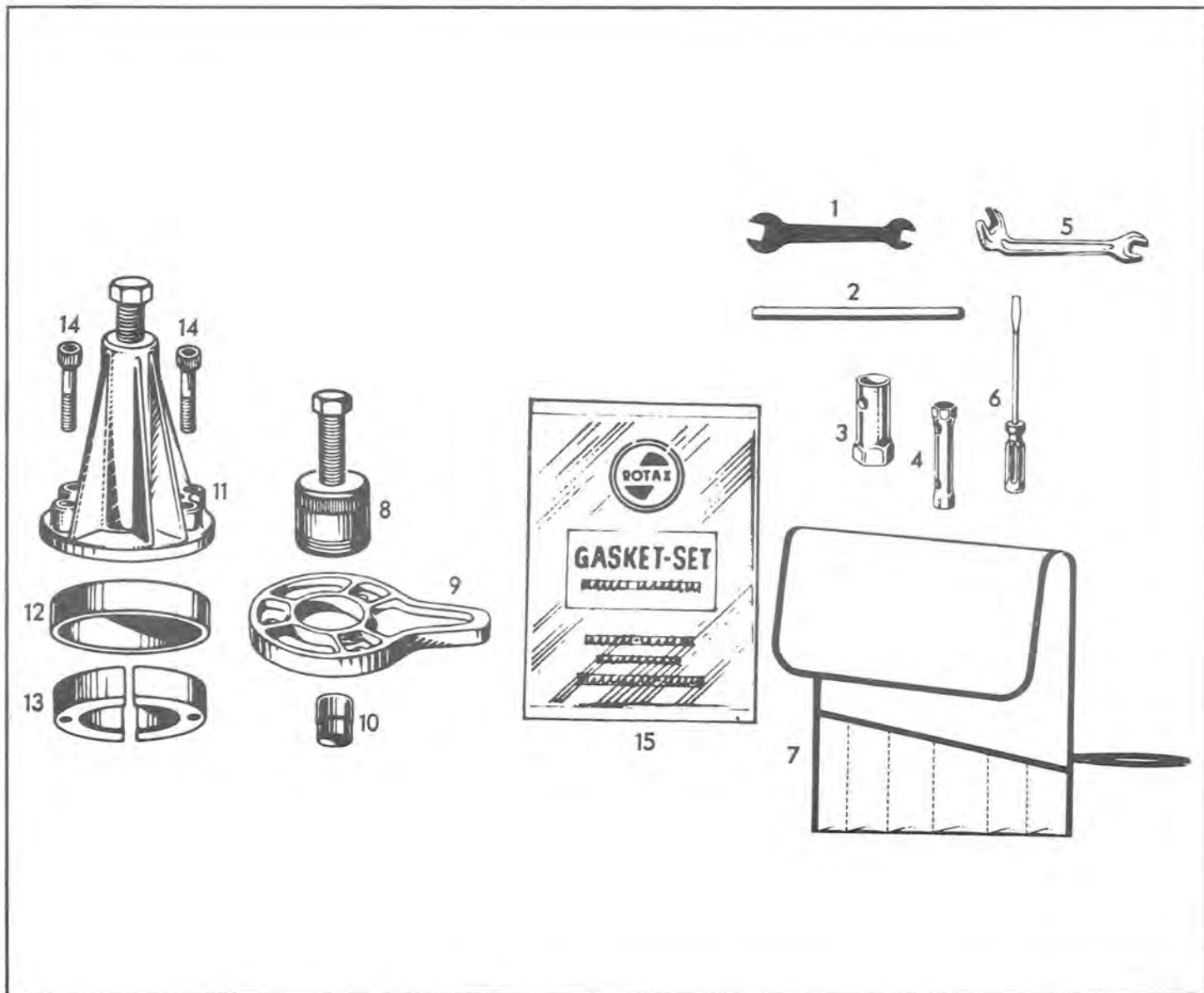
ITEM	NUMBER	DESCRIPTION	QT'Y	ITEM	NUMBER	DESCRIPTION	QT'Y
1	805014	REWIND STARTER	1	14	805034	PAWL	2
2	802026	LOCK WASHER	4	15	805026	PAWL SPRING	2
3	802035	CYL. SCREW	4	16	805032	PAWL SPRING STOP	2
4	805016	STARTER HOUSING	1	17	805027	FRICTION SPRING	1
5	805015	STARTER STOP	1	18	805024	COVER WASHER	1
6	805028	COUNTERSUNK SCREW	2	19	805029	CIRCLIP	1
7	805017	SPRING CARTRIDGE (INCL.8-9)	1	20	805031	KEY CLAMP	1
7	805018	REWIND SPRING	1	21	805035	RUBBER BUFFER	1
8	805019	SPRING GUIDE	1	22	805038	STARTER ROPE	1
9	805020	COVER, SPRING GUIDE	1	23	805022	STARTER GRIP	1
10	805030	ROPE SHEAVE	1				
11	805023	D-WASHER	1				
12	805033	PIVOT ARM	1				
13	805025	FRICTION WASHER	1				

STARTER (BSE 399 & 439)



ITEM	NUMBER	DESCRIPTION	QT'Y 399	QT'Y 439	ITEM	NUMBER	DESCRIPTION	QT'Y 399	QT'Y 439
1	805036	REWIND STARTER ASS'Y	1	1	14	805034	PAWL	2	2
2	802026	LOCK WASHER	4	4	15	805026	PAWL SPRING	2	2
3	802094	HEX. SCREW	4	4	16	805032	PAWL SPRING STOP	2	2
4	805037	STARTER HOUSING	1	1	17	805027	FRICITION SPRING	1	1
5	805015	STARTER STOP	1	1	18	805024	COVER WASHER	1	1
6	805028	COUNTERSUNK SCREW	2	2	19	805029	CIRCLIP	1	1
7	805017	SPRING CARTRIDGE ASS'Y (INCL.8-9)	1	1	20	805031	KEY CLAMP	1	1
7	805018	REWIND SPRING	1	1	21	805035	RUBBER BUFFER	1	1
8	805019	SPRING GUIDE	1	1	22	805038	STARTER ROPE	1	1
9	805020	COVER, SPRING GUIDE	1	1	23	805022	STARTER GRIP	1	1
10	805030	ROPE SHEAVE	1	1					
11	805023	D-WASHER	1	1					
12	805033	PIVOT ARM	1	1					
13	805025	FRICITION WASHER	1	1					

TOOL & GASKET SET (BSE 399 & 439)



ITEM	NUMBER	DESCRIPTION	QT'Y 399	QT'Y 439	ITEM	NUMBER	DESCRIPTION	QT'Y 399	QT'Y 439
1	802092	TOOL BAG W/TOOLS ASS'Y (INCL.2 to 7)	1	1	10	802075	PROTECTION CAP	1	1
1	802045	FORK WRENCH	1	1	11	802048	PULLER ASS'Y	1	1
2	802046	BOLT, SOCKET WRENCH	1	1	12	802050	RING FOR PULLER, BALL BEARING	1	1
3	802043	SOCKET WRENCH	1	1	13	802088	RING HALF, BALL BEARING	2	2
4	802044	SOCKET WRENCH	1	1	14	802049	CYL. SCREW W/INT. HEX. FOR PULLER	2	2
5	802040	ANGULAR WRENCH	1	1	15	803025	GASKET SET	1	-
6	802042	SCREW DRIVER	1	1	15	803026	GASKET SET	-	1
7	802041	TOOL BAG	1	1					
8	802053	PULLER ASS'Y, FLYWHEEL	1	1					
9	802095	WRENCH TO HOLD MAGNETO HOUSING	1	1					