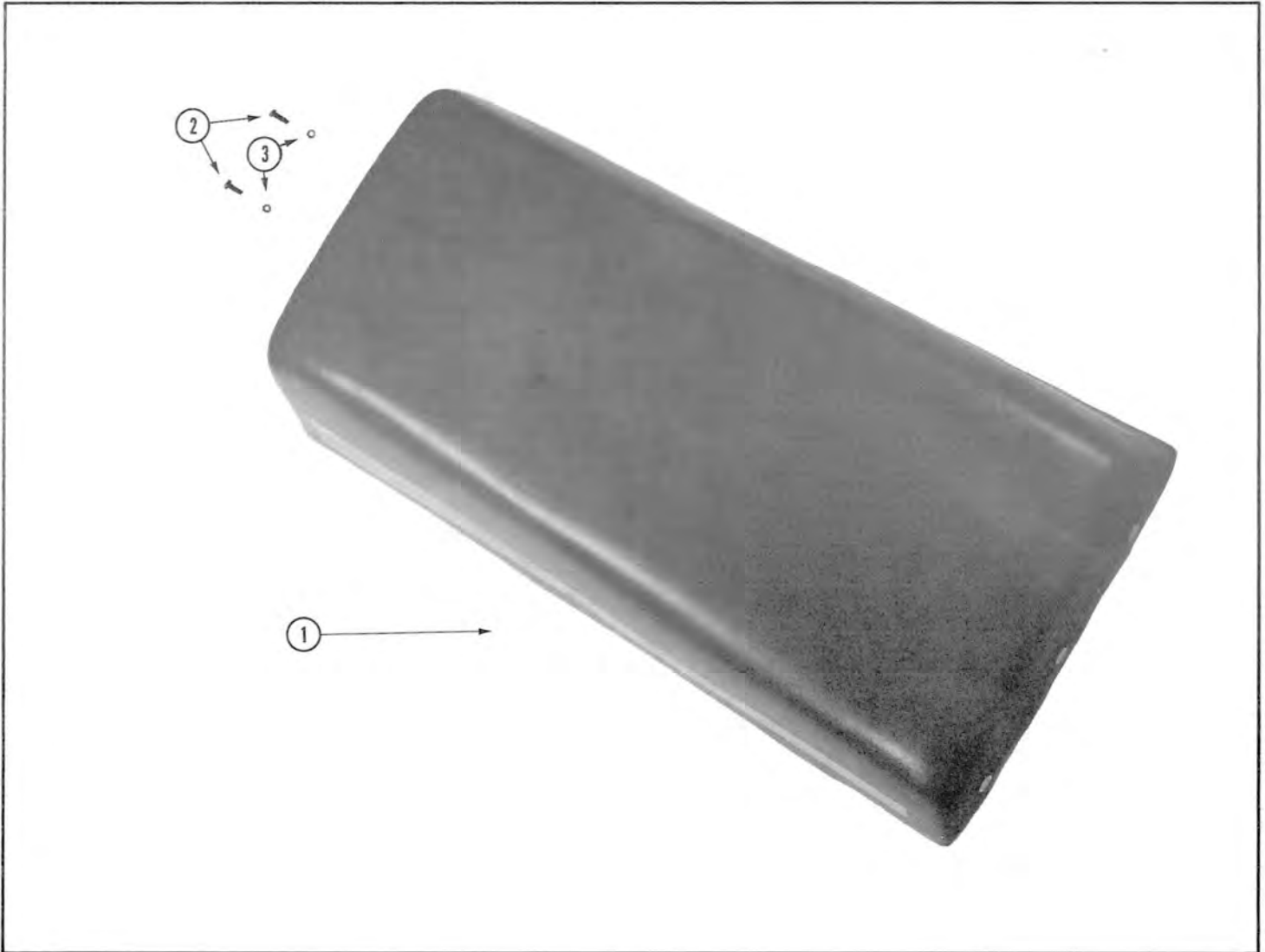




**FRAME MS - S**

ITEM	NUMBER	DESCRIPTION	QTY	APPLICATION	ITEM	NUMBER	DESCRIPTION	QTY	APPLICATION
1	011404	BODY ASS'Y W/O PAN	1	All "S"	38	630030	RIVET, POP	2	All "S"
2	680002	FITTING, GREASE	2	"	39	011351	PROTECTOR, NYLON	2	"
3	630020	RIVET, POP	27	"	40	630018	RIVET, POP	16	"
4	011348	FOOT REST, RIGHT	1	"	41	011338	REFLECTOR ASS'Y	2	"
5	011349	FOOT REST, LEFT	1	"	42	011365	PLATE, IDENTIFICATION	2	S-440
6	600054	BOLT	4	"	42	011364	PLATE, IDENTIFICATION	2	S-400
7	610015	NUT, NYLON LOCK	4	"	43	710019	REFLECTOR, AMBER	2	All "S"
8	620029	WASHER, FLAT	8	"	44	011342	PAD, FOOT REST	1	"
9	640020	SNAP, BUTTON MALE	8	"	45	011356	HANDLE, SIDE	2	"
10	630021	RIVET, POP	8	"	46	600054	BOLT	4	"
11	011337	BRACKET, SEAT	2	"	47	011390	WASHER, FLAT	4	"
12	630042	RIVET, POP	4	"	48	610015	NUT, NYLON LOCK	4	"
14	011222	BUMPER, REAR	1	"	49	011237	HINGE, HOOD LEFT	1	"
15	630042	RIVET, POP	14	"	50	011396	HINGE, HOOD RIGHT	1	"
16	600138	BOLT	2	"	52	600125	BOLT	2	"
17	610046	NUT, NYLON LOCK	2	"	53	620002	WASHER, FLAT	2	"
18	011355	DECAL, REAR BUMPER	1	"	54	610046	NUT, NYLON LOCK	2	"
19	011386	GUARD, SNOW	1	"	55	010155	BRACKET, HOOD	2	"
20	630031	RIVET, POP	6	"	56	010159	HOLDER, RUBBER	2	"
21	011393	PAN, FRONT	1	"	57	600003	BOLT	2	"
22	600138	BOLT	19	"	58	620002	WASHER, FLAT	2	"
23	610046	NUT	19	"	59	610004	NUT, NYLON LOCK	2	"
24	010156	CATCH ASS'Y, HOOD	2	"	60	080097	TOOLS, BOX	1	"
25	011224	BUMPER, FRONT	1	"	61	640047	TUCK, LOOPS	2	"
26	610046	NUT, NYLON LOCK	4	"	62	640048	CLIP, "D" RING	2	"
27	620002	WASHER, FLAT	4	"	63	630042	RIVET, POP	2	"
28	010013	BRACKET, HOOD GUIDE	6	"	64	620030	WASHER, FLAT	2	"
29	630030	RIVET, POP	6	"					
30	011359	DECAL, FRONT BUMPER	A.R	"					
31	011213	BRACKET, HITCH	1	"					
32	010044	PIN, HITCH	1	"					
33	011214	COUPLER, HITCH	1	"					
34	600083	BOLT	2	"					
35	610046	NUT, NYLON LOCK	2	"					
36	011236	BRACKET, TANK RETAINER	2	"					
37	011314	PAD, RUBBER	2	"					

**NOTES**



ITEM	NUMBER	DESCRIPTION	QT'Y	APPLICATION	ITEM	NUMBER	DESCRIPTION	QT'Y	APPLICATION
1	080067	SEAT	1	All "S"					
2	600102	BOLT	2	"					
3	620001	WASHER, LOCK	2	"					

**NOTES**

---



---



---



---

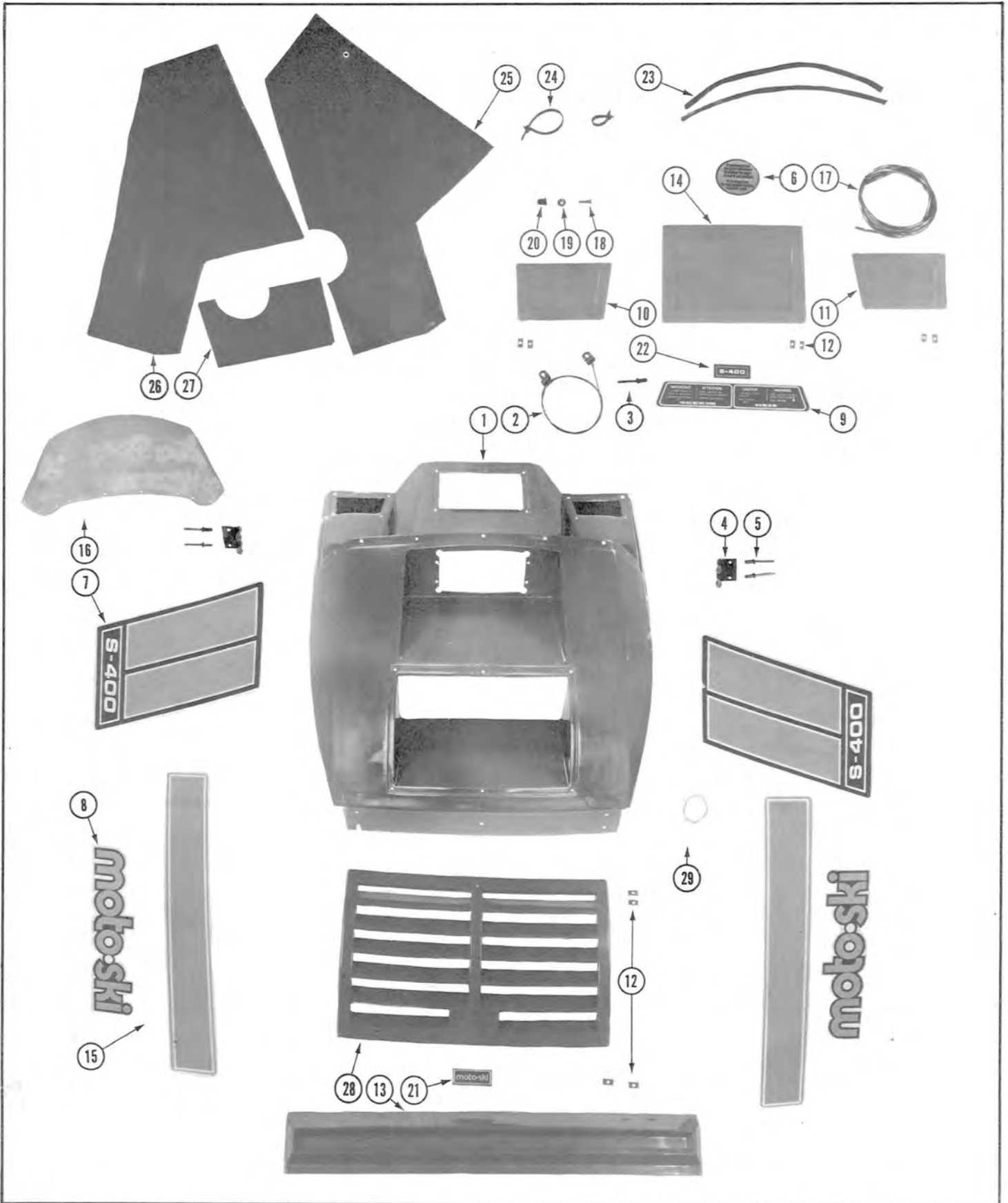


---



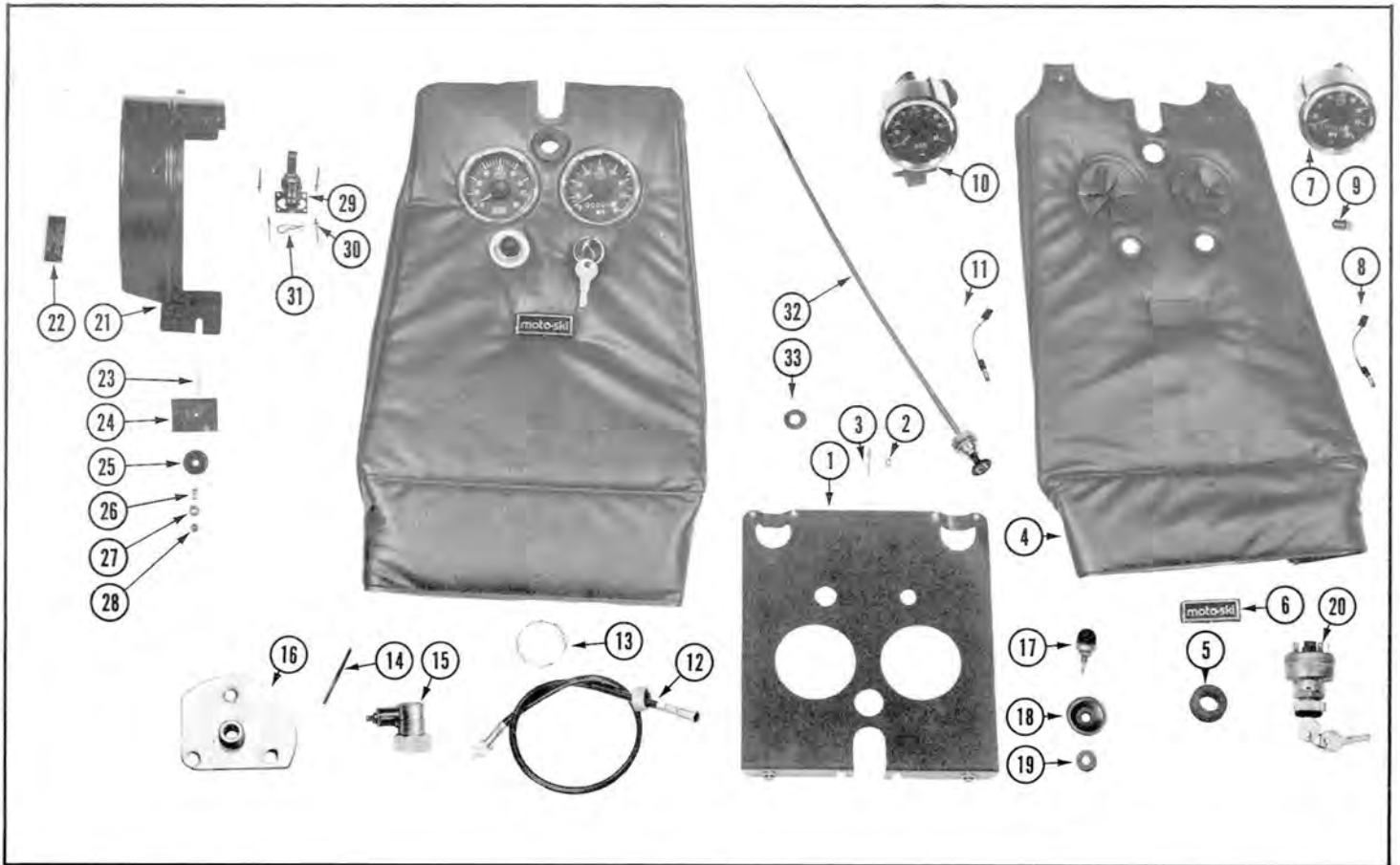
---

# HOOD MS - S



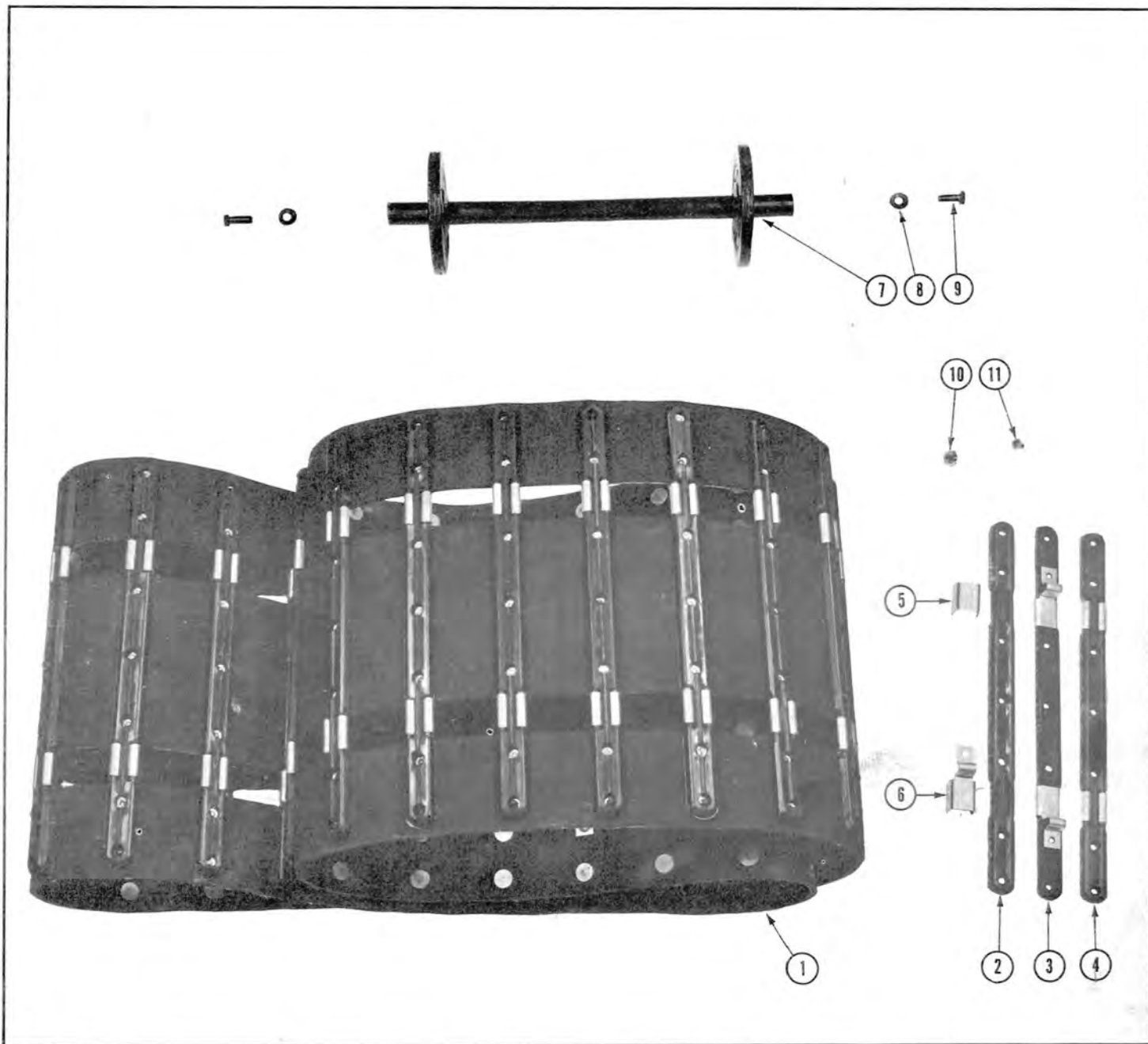


# HOOD (DASH & PULLEY GUARD) MS - S



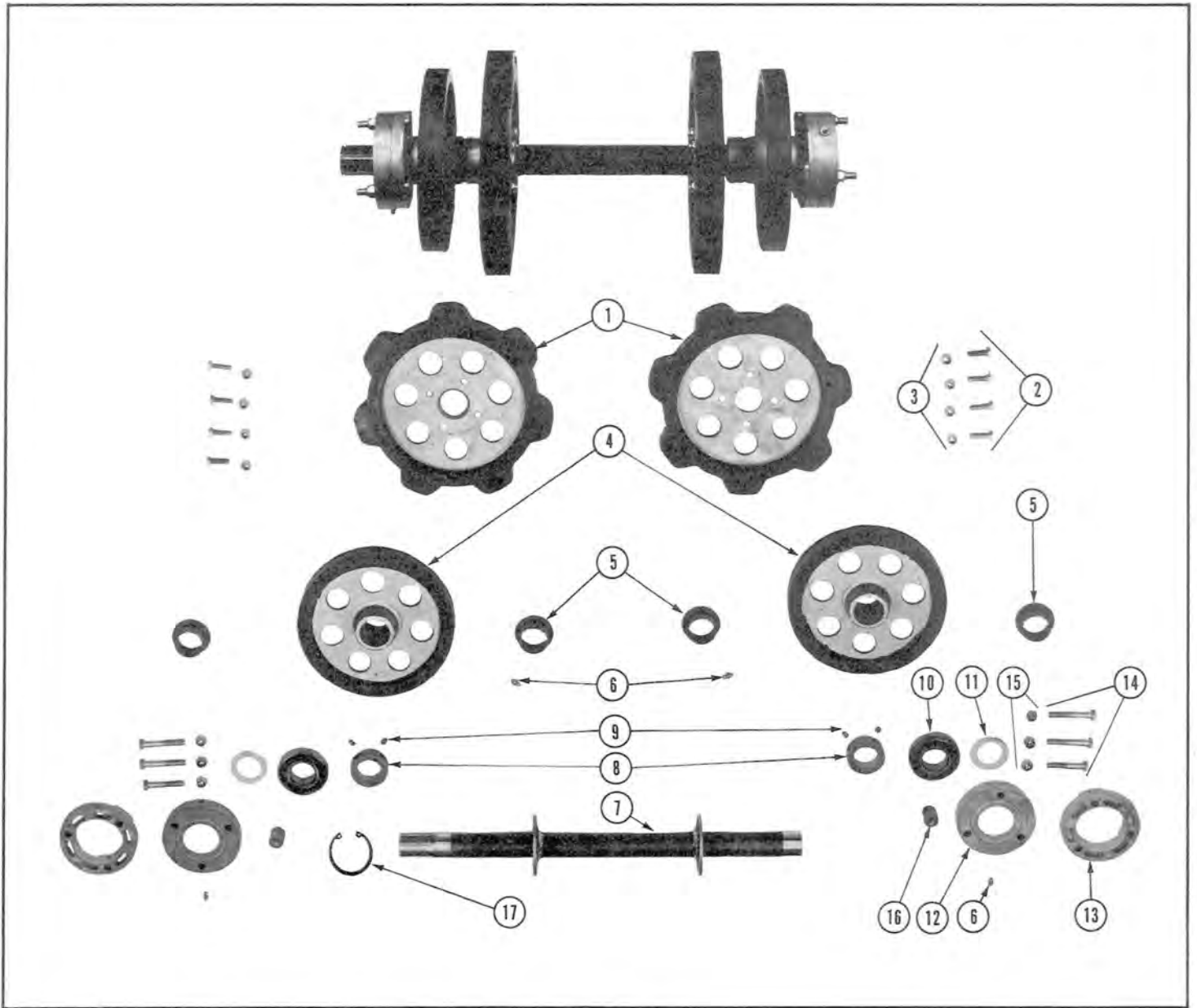
ITEM	NUMBER	DESCRIPTION	QT'Y	APPLICATION	ITEM	NUMBER	DESCRIPTION	QT'Y	APPLICATION
1	091122	SUPPORT, SPEEDO & TACHO	1	All "S"	22	091168	DECAL, WARNING	1	All "S"
2	640020	SNAP, BUTTON MALE	2	"	23	600283	BOLT	1	"
3	630021	RIVET, POP	2	"	24	091225	PAD, RUBBER	1	"
4	091159	COVER, DASH	1	"	25	040009	WASHER, PULLEY GUARD	1	"
5	710029	GROMMET	1	"	26	060140	SPRING	1	"
6	091135	PLATE, NAME	1	"	27	620002	WASHER, FLAT	1	"
7	091110	SPEEDOMETER ASS'Y	1	"	28	610046	NUT, NYLON LOCK	1	"
8	091111	SOCKET, SPEEDO BULB	1	"	29	091224	CATCH FOR PULLEY GUARD	1	"
9	091120	BULB	1	"	30	630002	RIVET	1	"
10	091116	TACHOMETER	1	"	31	640150	PIN, SPRING LOCK	1	"
11	091117	SOCKET, TACHO BULB	1	"	32	091236	WIRE, CHOKE	1	"
12	091114	CABLE ASS'Y, SPEEDO	1	"	33	091237	WASHER, CHOKE	1	"
13	091115	CABLE ONLY	1	"					
14	091227	CABLE, SHORT	1	"					
15	091118	DRIVE, ANGLE	1	"					
16	090076	PLATE, ADAPTOR	1	"					
20	111172	SWITCH	1	"					
21	091200	GUARD, PULLEY	1	"					

# TRACK (TRACK & SUSPENSION) MS - S



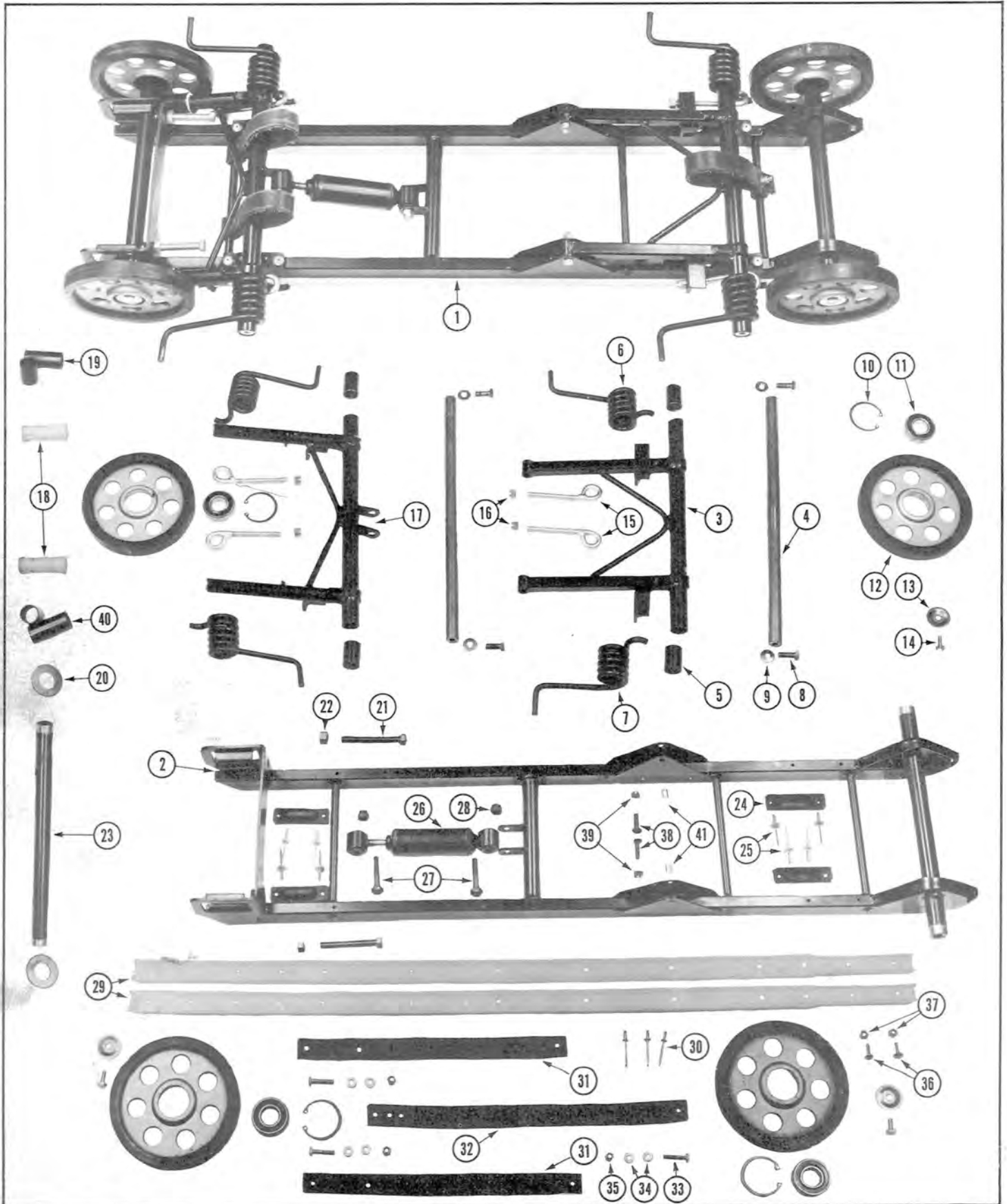
ITEM	NUMBER	DESCRIPTION	QTY	APPLICATION	ITEM	NUMBER	DESCRIPTION	QTY	APPLICATION
1	030084	TRACK	1	All "S"	9	600034	BOLT	2	All "S"
2	030086	CLEAT ONLY	A.R	"	10	031183	RIVET FOR GUIDE INSERT	24	"
3	031185	CLEAT W/GUIDE INSERT	12	"	11	030004	RIVET, TRACK	228	"
4	030087	CLEAT W/CLIP INSERT	24	"					
5	030089	INSERT	48	"					
6	030088	INSERT, GUIDE	24	"					
7	031145	SUPPORT, TRACK ASS'Y	1	"					
8	620003	WASHER, FLAT	2	"					

# TRACK & SUSPENSION (FRONT AXLE) MS - S



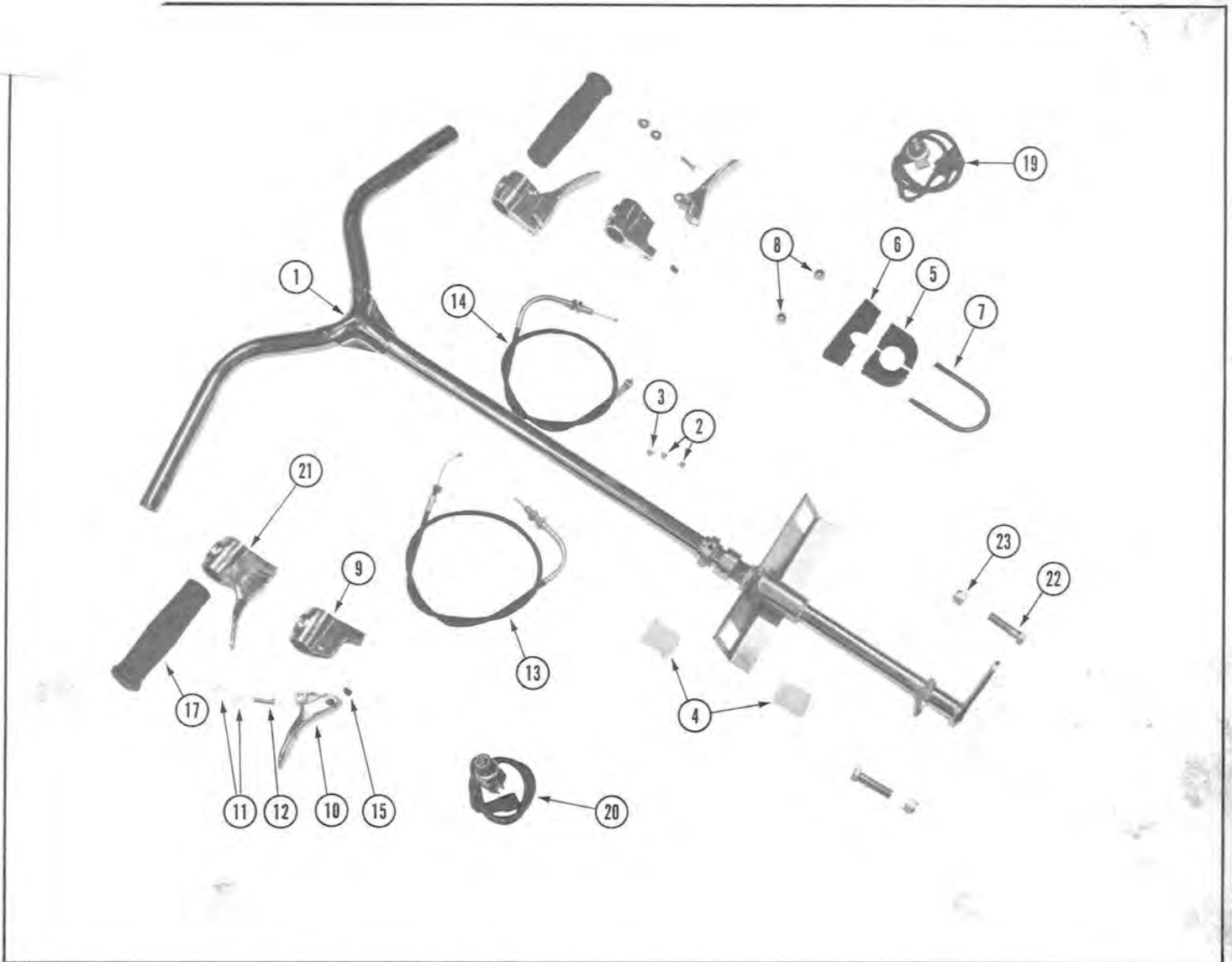
ITEM	NUMBER	DESCRIPTION	QTY	APPLICATION	ITEM	NUMBER	DESCRIPTION	QTY	APPLICATION
1	040079	SPROCKET	2	All "S"	11	040069	WASHER, NYLON	2	All "S"
2	600002	BOLT	8	"	12	040024	FLANGE, OUTER	2	"
3	610004	NUT	8	"	13	040025	FLANGE, INNER	2	"
4	040049	WHEEL, IDLER	2	"	14	600046	BOLT	6	"
5	040011	BUSHING, NYLON	4	"	15	610015	NUT	6	"
6	680002	FITTING, GREASE	4	"	16	040026	PLUG, ALUM.	2	"
7	040067	AXLE	1	"	17	640014	RING, SNAP	1	"
8	040010	COLLAR	2	"					
9	600014	SCREW, ALLEN SET	4	"					
10	660007	BEARING	2	"					

# SLIDER SUSPENSION MS - 5



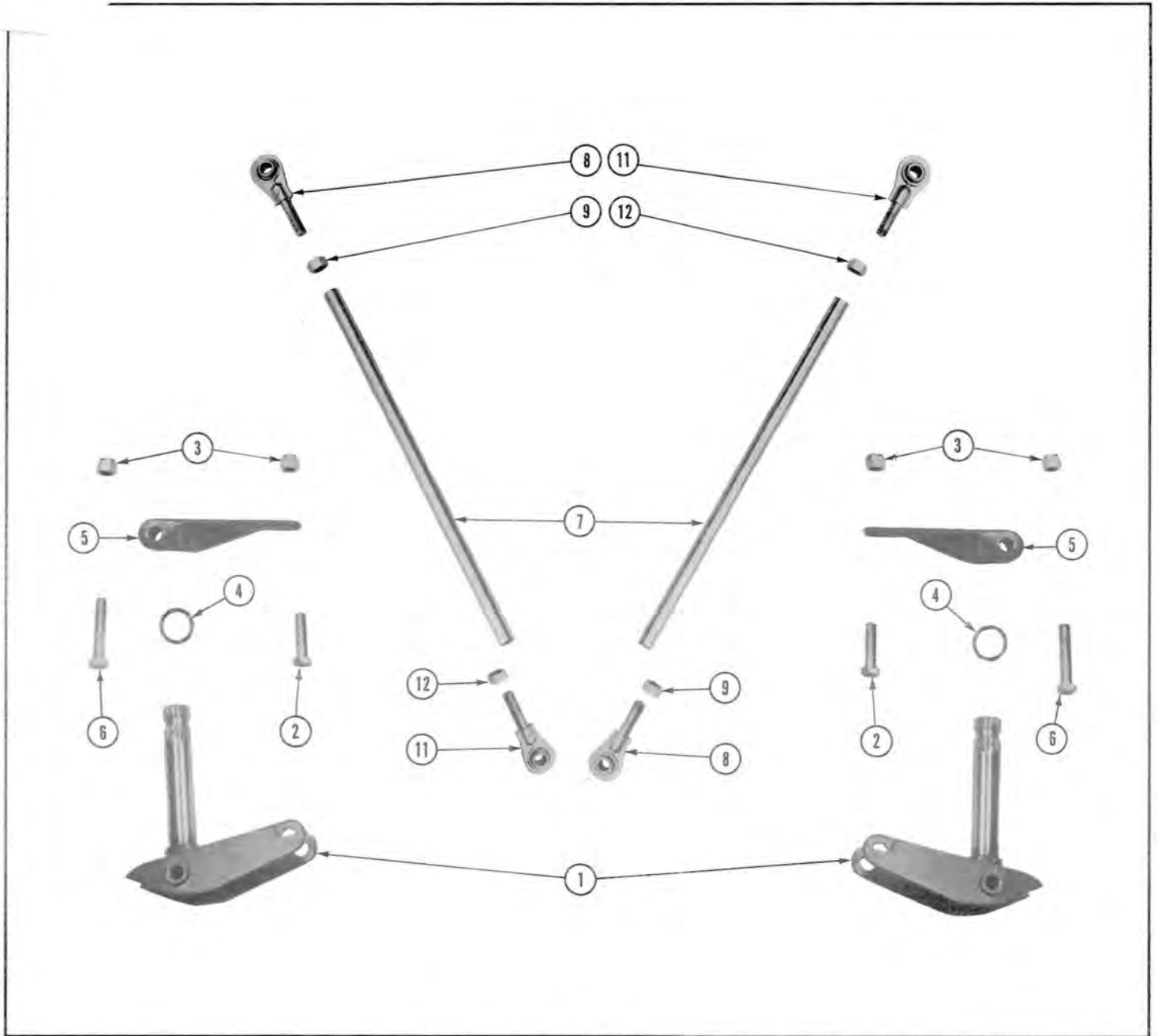


# MOTO-SKI & STEERING (STEERING COLUMN) MS - S



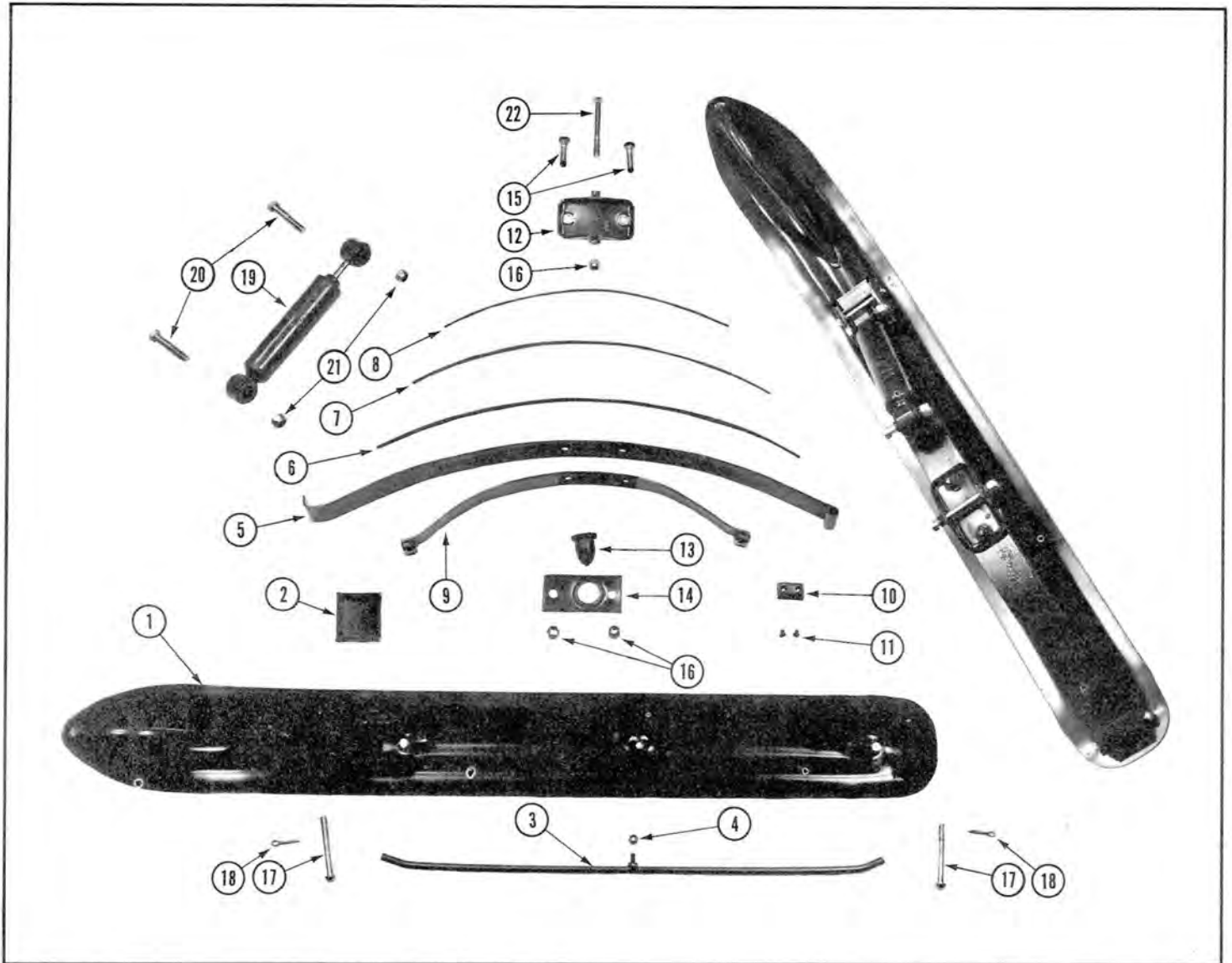
ITEM	NUMBER	DESCRIPTION	QT'Y	APPLICATION	ITEM	NUMBER	DESCRIPTION	QT'Y	APPLICATION
1	021151	HANDLE BAR, STEERING	1	All "S"	13	021192	CABLE, THROTTLE	1	All "S"
2	600263	SCREW, ALLEN SET	1	"	14	021179	CABLE, BRAKE	1	"
3	600106	SCREW, ALLEN SET	2	"	15	600110	SCREW, ALLEN SET	2	"
4	020042	BUSHING, NYLON LOWER	2	"	17	020057	GRIP, HANDLE BAR	2	"
5	020010	SUPPORT, PLASTIC (SET)	1	"	19	111164	SWITCH, DIMER	1	"
6	021171	CLAMP, SUPPORT	1	"	20	111163	SWITCH, EMERGENCY STOP	1	"
7	021139	BOLT, "U"	1	"	21	020192	LEVER ASS'Y, THROTTLE & BRAKE	2	"
8	610004	NUT	2	"	22	600044	BOLT	2	"
9	020061	SUPPORT, THROTTLE & BRAKE	2	"	23	610013	NUT	2	"
10	020052	LEVER, THROTTLE & BRAKE	2	"					
11	020054	BUSHING, NYLON	4	"					
12	020055	RIVET	2	"					

# SKI & STEERING (ROD & ARM) MS - S



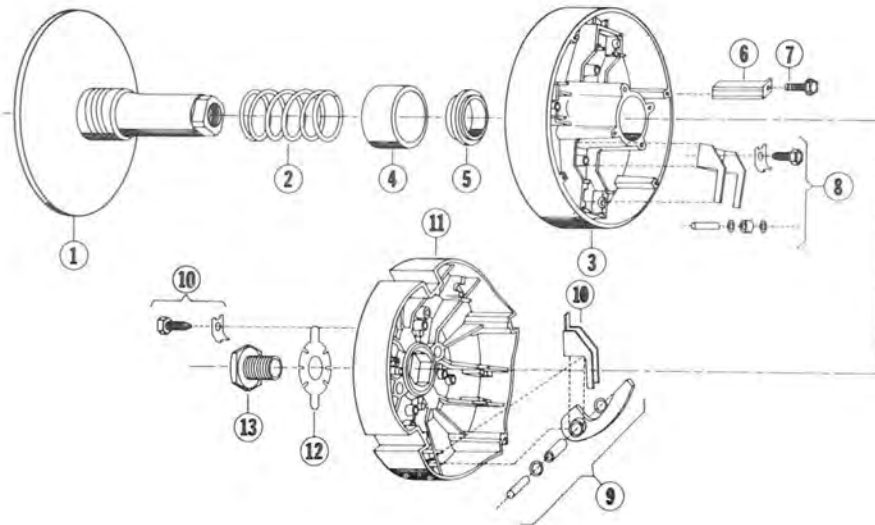
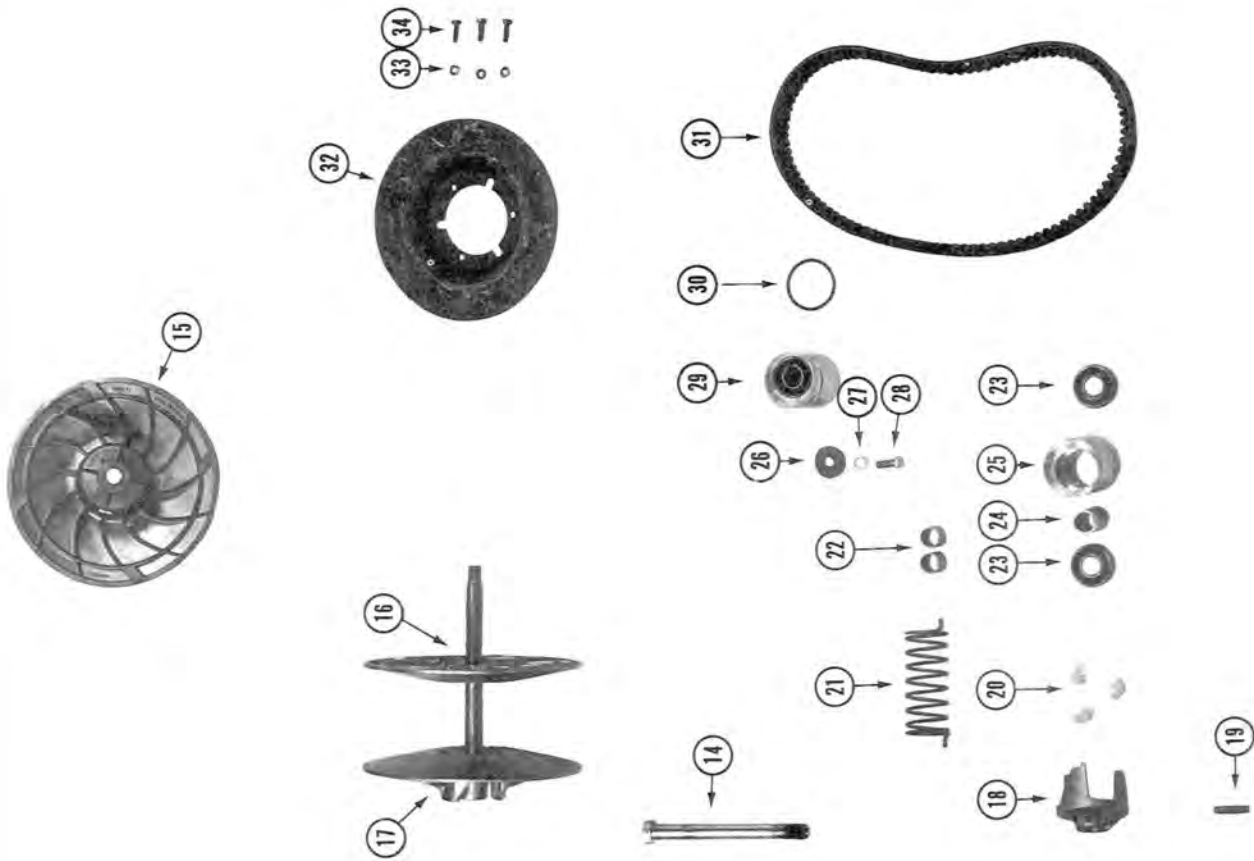
ITEM	NUMBER	DESCRIPTION	QT'Y	APPLICATION	ITEM	NUMBER	DESCRIPTION	QT'Y	APPLICATION
1	021174	LEG, SKI	2	All "S"	9	020081	NUT, L.H. THREAD	2	All "S"
2	600044	BOLT	4	"	11	670007	TIE, ROD END R.H.	2	"
3	610013	NUT	4	"	12	610012	NUT	2	"
4	620034	WASHER, SPRING	2	"					
5	021107	ARM, STEERING	2	"					
6	600276	BOLT	2	"					
7	021136	TIE, ROD	2	"					
8	670005	TIE, ROD END L.H.	2	"					

# SKI & STEERING (SKI) MS - S



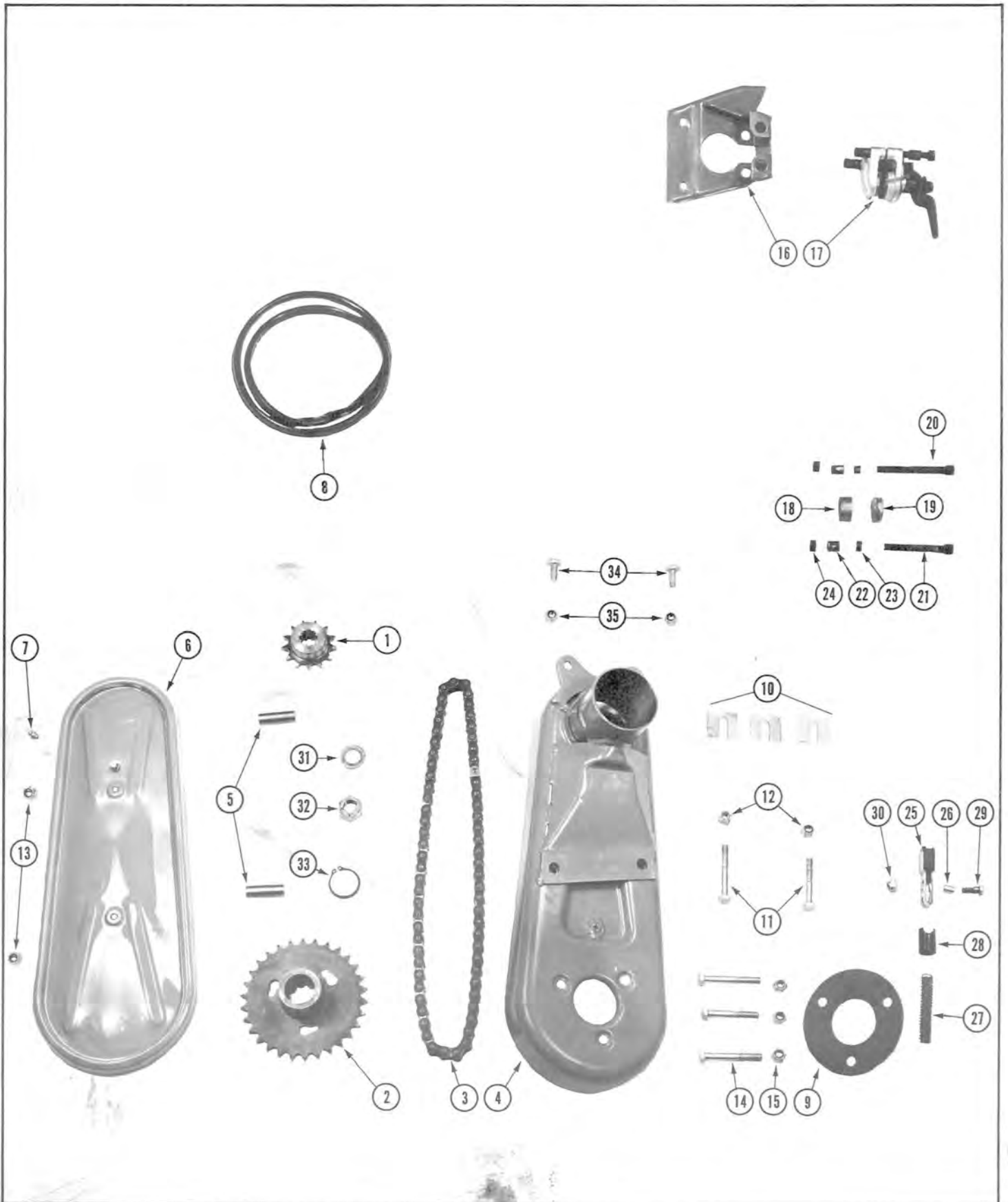
ITEM	NUMBER	DESCRIPTION	QT'Y	APPLICATION	ITEM	NUMBER	DESCRIPTION	QT'Y	APPLICATION
1	021163	SKI	2	All "S"	13	020026	ABSORBER, RUBBER	2	All "S"
2	020020	PLATE, SPRING SLIDING	2	"	14	020025	LEAF, REBOUND	2	"
3	020024	SHOE, SKI RUNNER	2	"	15	600040	BOLT	2	"
4	610004	NUT	2	"	16	610013	NUT	2	"
5	021172	LEAF, SPRING MAIN	2	"	17	020033	PIN, CLEVIS FRONT & REAR	4	"
6	021173	LEAF, SPRING SECOND	2	"	18	640012	PIN, CUTTER	4	"
7	021178	LEAF, SPRING THIRD	2	"	19	710031	SHOCK, ABSORBER (C)	2	"
8	021181	LEAF, SPRING FOURTH	2	"	20	600280	BOLT	4	"
9	021148	LEAF, SPRING OVER LOAD	2	"	21	610042	NUT	4	"
10	021153	ABSORBER, RUBBER	2	"	22	600020	BOLT	2	"
11	630047	RIVET	4	"					
12	021126	COUPLER, SPRING	2	"					

# TRANSMISSION (DRIVEN & DRIVE PULLEY) MS - S



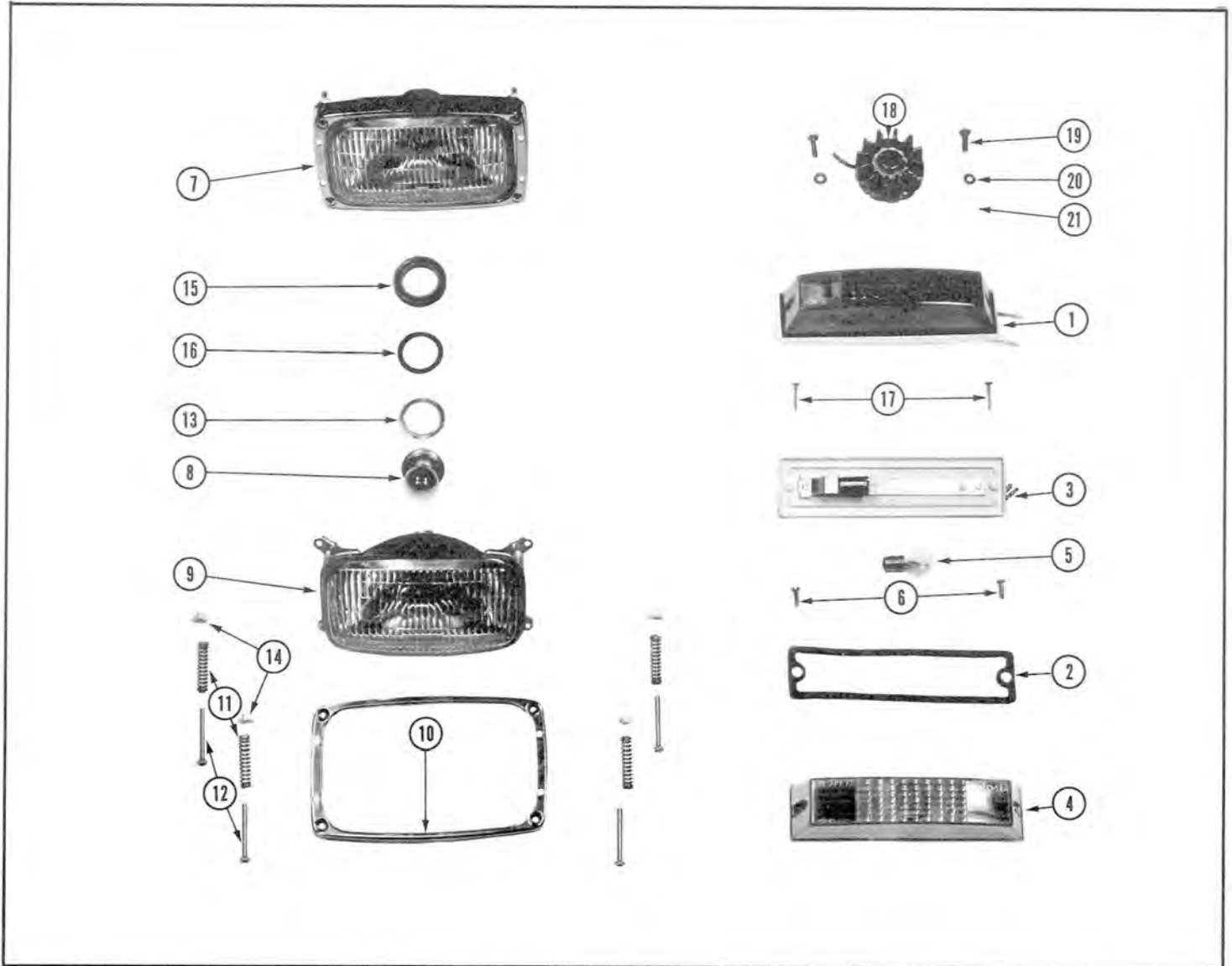


# TRANSMISSION (CHAIN CASE & BRAKE) MS - S



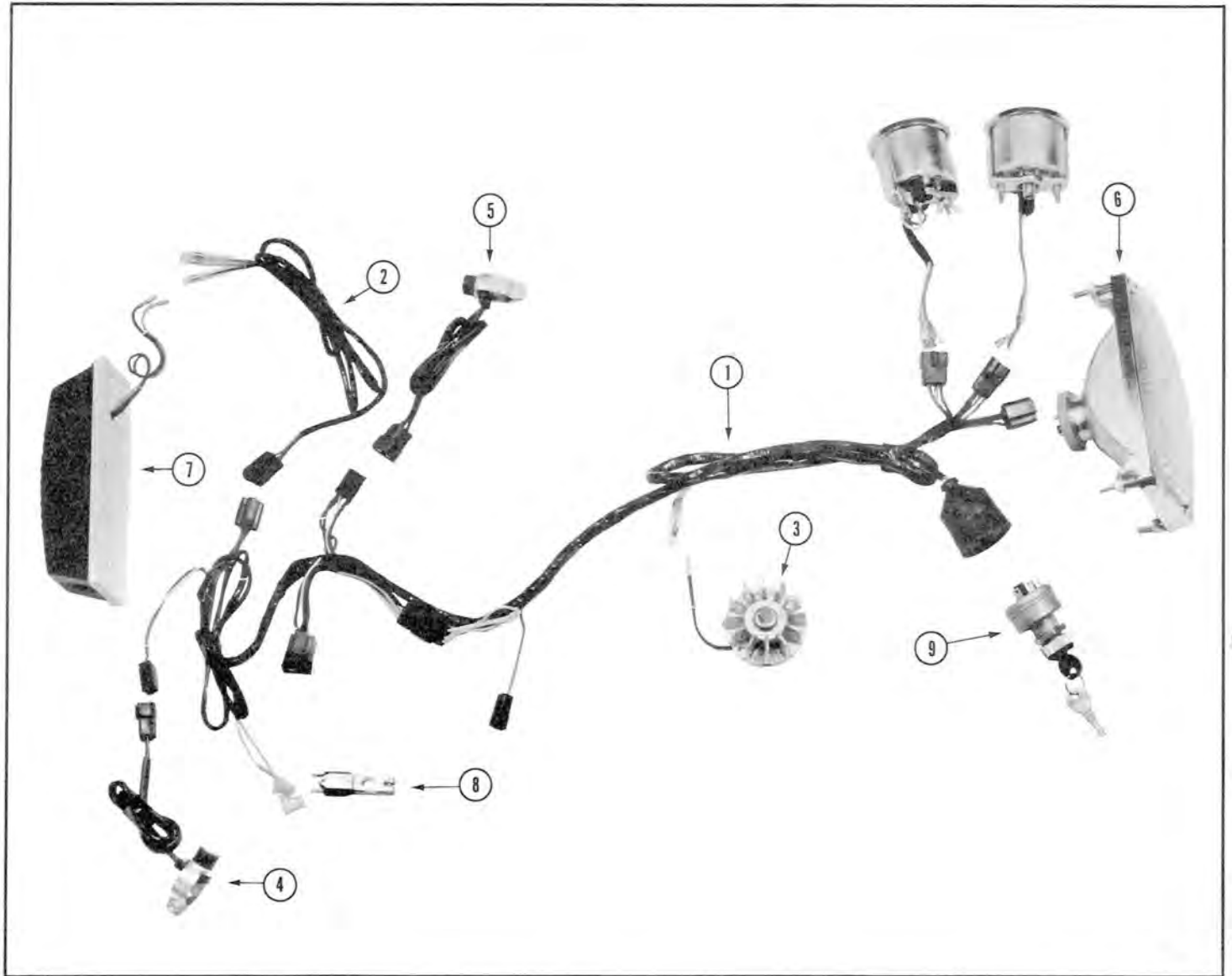


# ELECTRICAL LIGHT MS - S



ITEM	NUMBER	DESCRIPTION	QTY	APPLICATION	ITEM	NUMBER	DESCRIPTION	QTY	APPLICATION
1	080061	LIGHT, TAIL & STOP	1	All "S"	13	110047	WASHER, STEEL	1	All "S"
2	080065	GASKET	1	"	14	110049	NUT, NYLON RETAINER	4	"
3	080063	FRAME, TAIL & STOP	1	"	15	110048	RETAINER, BULB	1	"
4	080062	LENS, TAIL & STOP	1	"	16	111175	WASHER, RUBBER	1	"
5	690212	BULB	1	"	17	600286	SCREW, WOOD	2	"
6	600145	SCREW	2	"	18	111165	ZENER, DIODE	1	"
7	110041	LAMP ASS'Y, HEAD	1	"	19	600277	SCREW, SELF TAPPING	2	"
8	110042	BULB, 12 V - 60/60 W	1	"	20	620033	WASHER, TOOTHED	2	"
9	110043	LAMP, BODY	1	"					
10	110044	RING, HEAD LAMP	1	"					
11	110045	SPRING	4	"					
12	110046	SCREW	4	"					

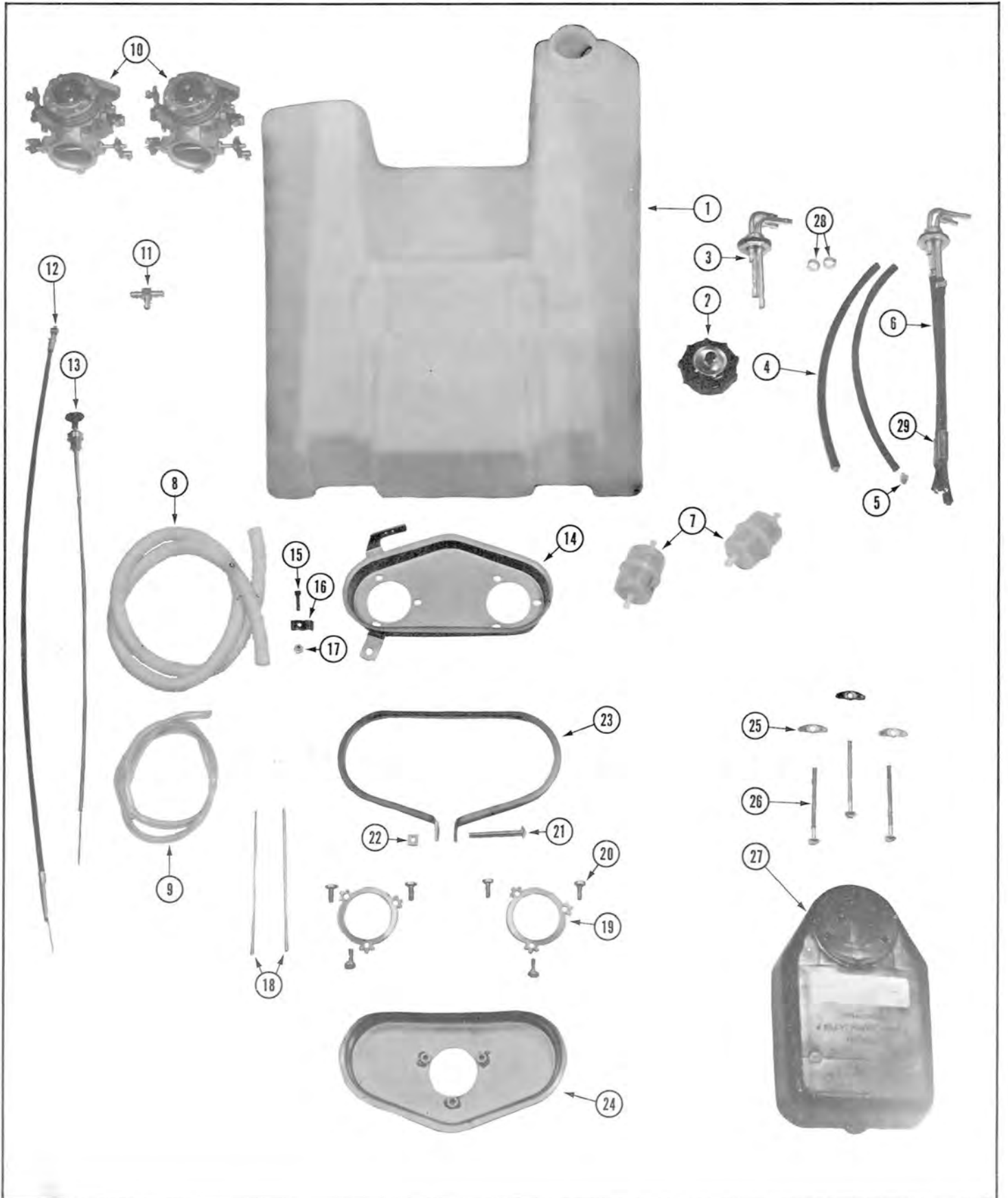
# ELECTRICAL (WIRING) MS - 5



ITEM	NUMBER	DESCRIPTION	QT'Y	APPLICATION	ITEM	NUMBER	DESCRIPTION	QT'Y	APPLICATION
1	111174	CABLE ASS'Y, MAIN	1	All "S"	7	080061	LIGHT, TAIL & STOP	1	All "S"
2	111056	CABLE ASS'Y, TAIL & STOP	1	"	8	690187	SWITCH, STOP LIGHT	1	"
3	111165	ZENER DIODE	1	"	9	111172	SWITCH, KEY	1	"
4	111163	SWITCH, EMERGENCY	1	"					
5	111164	SWITCH, DIMER	1	"					
6	110041	LAMP ASS'Y, HEAD	1	"					

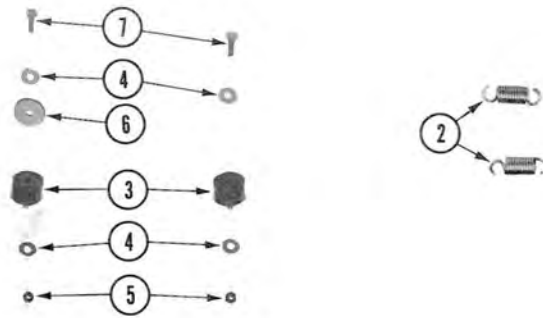
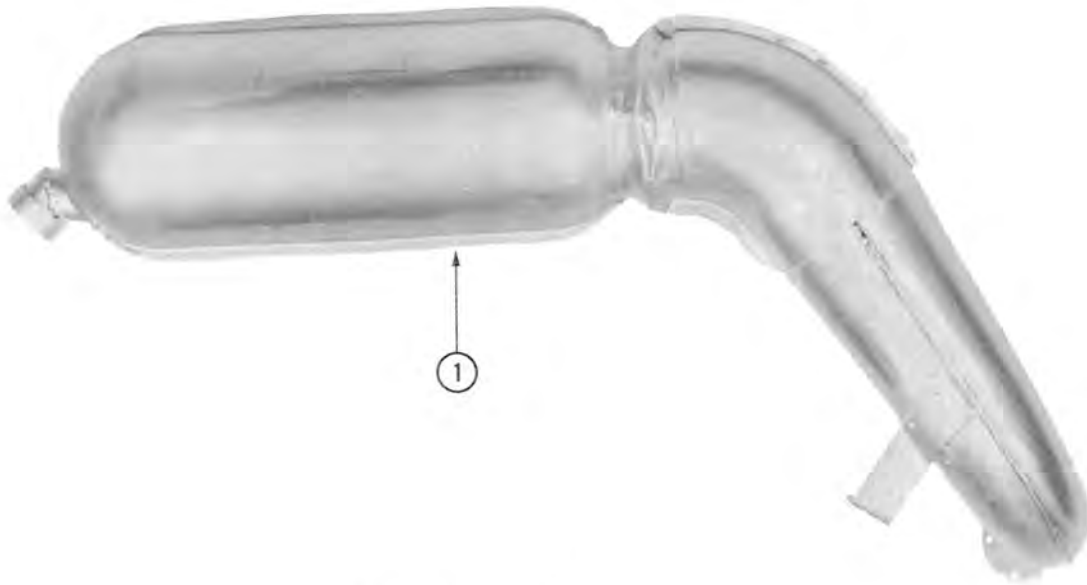
## NOTES

# FUEL & EXHAUST (FUEL SYSTEM) MS - S





# FUEL & EXHAUST (MUFFLER) MS - S



ITEM	NUMBER	DESCRIPTION	QT'Y	APPLICATION	ITEM	NUMBER	DESCRIPTION	QT'Y	APPLICATION
1	101156	MUFFLER	1	S-400-440	7	600127	BOLT	2	S-400-440
2	111139	SPRING	2	"					
3	101146	SUPPORT, MUFFLER	2	"					
4	620012	WASHER, FLAT	4	"					
5	610001	NUT, NYLON LOCK	2	"					
6	101163	WASHER, ASBESTOS	1	"					