

FIG. A

RAIDER 
TWIN
TROCK 

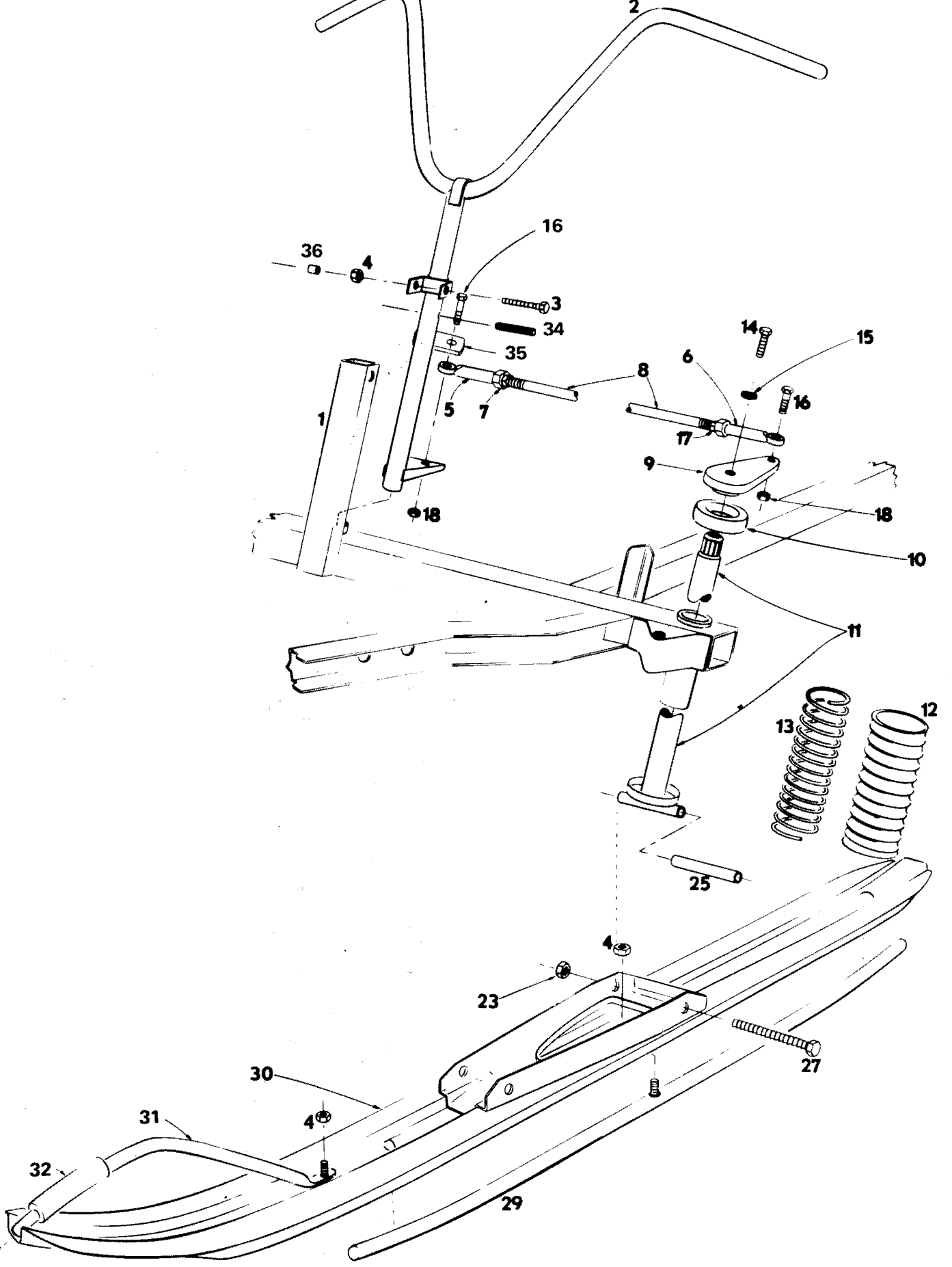


FIG. B

FIGURE "B"

REFERENCE NUMBER	PART NUMBER	DESCRIPTION	VEHICLE QUANTITY
1	1101-R-3000	Frame Assembly	1
2	1505-R-3000	Handlebar Assembly	1
3	2101A-31-22	Bolt-5/16-18 x 2.75 Hex Head	1
4	2203A-31	Lock Nut-5/16-18-Hex Head	5
5	1504-R-3003	Rod End-RH Thread-Male	2
6	1504-R-3002	Rod End-LH Thread-Male	2
7	2206A-38	Jam Nut-3/8 - 24-N.F.	2
8	1504-R-3000	Tie Rod-Steering	2
9	1503-R-3000	Steering Arm Assembly	2
10	1502-R-3005	Bumper Stop-Spindle	2
11	1502-R-3000	Spindle Assembly-Steering	2
12	1507-R-3000	Boot-Steering Spindle	2
13	1506-R-3000	Spring-Front Suspension	2
14	2101A-31-6	Bolt-5/16-18 x .75 Hex Head	2
15	2324-31	Lock Washer - 5/16	2
16	2101A-38-10	Bolt-3/8-16 x 1.25-Hex Head	4
17	2206A-38L	Jam Nut-3/8-24-N.F. -L.H. Thread-Hex Head	2
18	2203A-38	Lock Nut-3/8-16-N.C.-Hex Head	4
23	2203A-38	Lock Nut-3/8-16-Hex Head	2
25	1501-R-3009	Bushing-Ski Pivot	2
27	2101A-38-34	Bolt-3/8-16 x 4.25-Hex Head	2
29	1501-R-3006	Wear Rod Assembly	2
30	1501-R-3001	Ski Assembly	2
31	1501-R-3000	Handle-Ski	2
32	1501-R-3010	Grip-Ski	2
33	2401A-38-12	Self-Tapping Screw-3/8 - 12 x .75 Hex Head	2
34	2904	Roll Pin-1/8 x 1.25	1
35	1504-R-4002	Brace-Tie Rod	1
36	3024	Cap-Thread	1

FIG. C

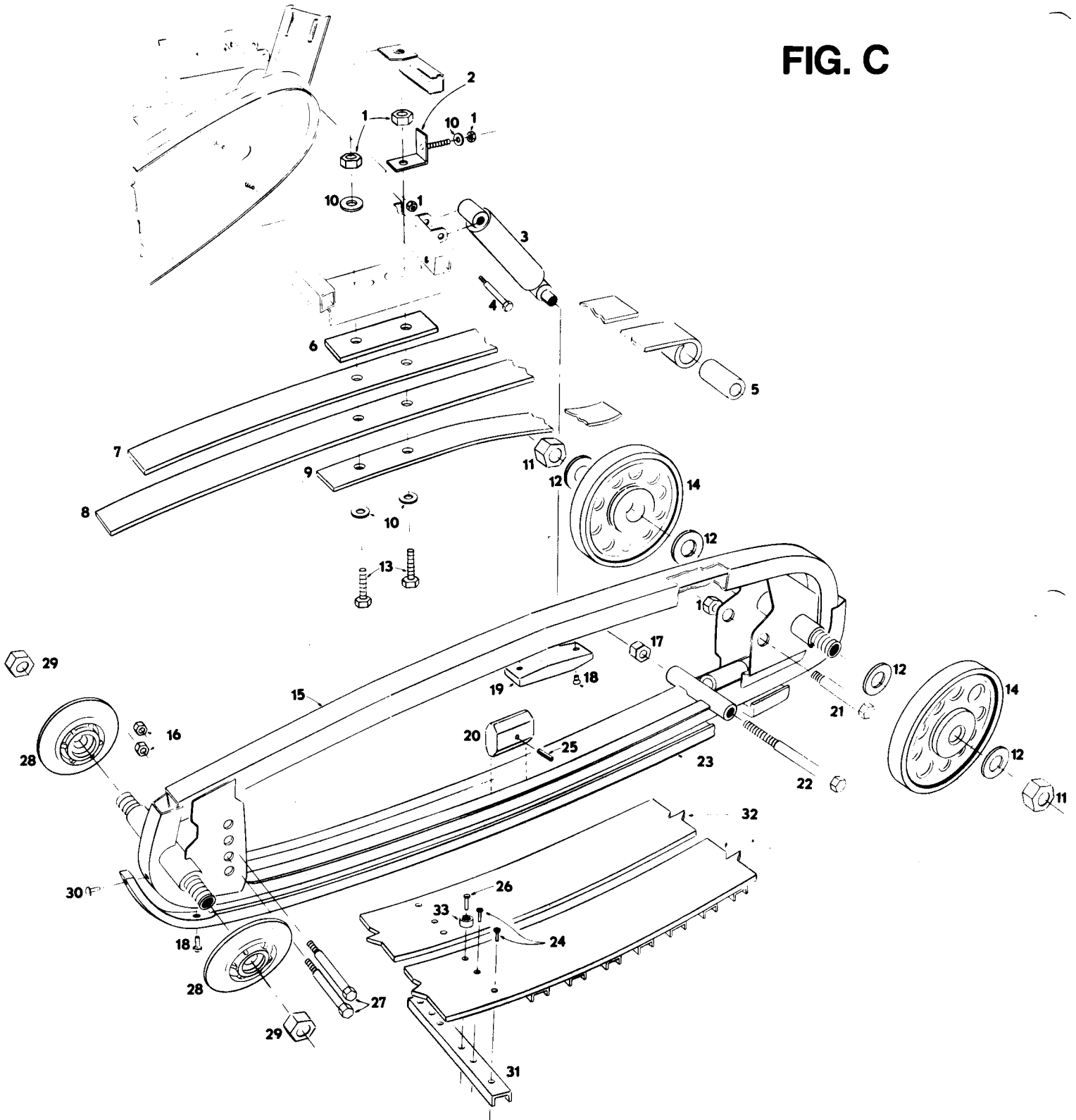


FIGURE "C"

REFERENCE NUMBER	PART NUMBER	DESCRIPTION	VEHICLE QUANTITY
1	2203A-38	Lock Nut-3/8-16	10
2	1205-R-3004	Adjuster-Track Assembly	2
3	1206-R-3000	Shock Absorber-Rear	2
4	2101A-38-16	Bolt-3/8-16 x 2.00-Hex Head	2
5	1205-R-3003	Bushing-Rear Spring	2
6	1205-R-3007	Plate Spring Pressure	2
7	1205-R-3001	Spring-Rear Upper	2
8	1205-R-3000	Spring-Rear Main	2
9	1205-R-3002	Spring-Rear Overload	2
10	2305-38	Flat Washer-3/8	8
11	2250A-75	Lock Nut-3/4-10-N.C.-Hex Stover	4
12	2305-75	Flat Washer-3/4	8
13	2101A-38-12	Bolt-3/8-16 x 1.50-Hex Head	4
14	1207-R-3001	Wheel-Track Support-Rear	4
15	1201-R-3002	Slide Frame Subassembly	2
16	2203A-31	Lock Nut-5/16-18	4
17	2203A-44	Lock Nut-7/16-14	2
18	2509	Rivet-SD-66-BS	20
19	1201-R-3015	Rebound Stop-Rear Upper	2
20	1201-R-3012	Stop-Bumper Suspension	2
21	2101A-38-22	Bolt-3/8-16 x 2.75	2
22	2101A-44-38	Bolt-7/16-14 x 4.75	2
23	1201-R-3009	Slide Rail	2
24	2534	Rivet	308
25	2907	Roll Pin-3/16 x 1.25	2
26	2533	Rivet	64
27	2111	Shoulder Bolt-Hex Head-Special-5/16 Thread	4
28	1202-R-3000	Bogie Wheel	4
29	2255A-62	Lock Nut-5/8-18-N.F.-Hex Head	4
30	2501	Rivet-SD-66 BSLF	2
31	1204-R-3002	Growser Bar	62
32	1204-R-4000	Track Assembly	2
33	1204-R-3003	Track Guide	64

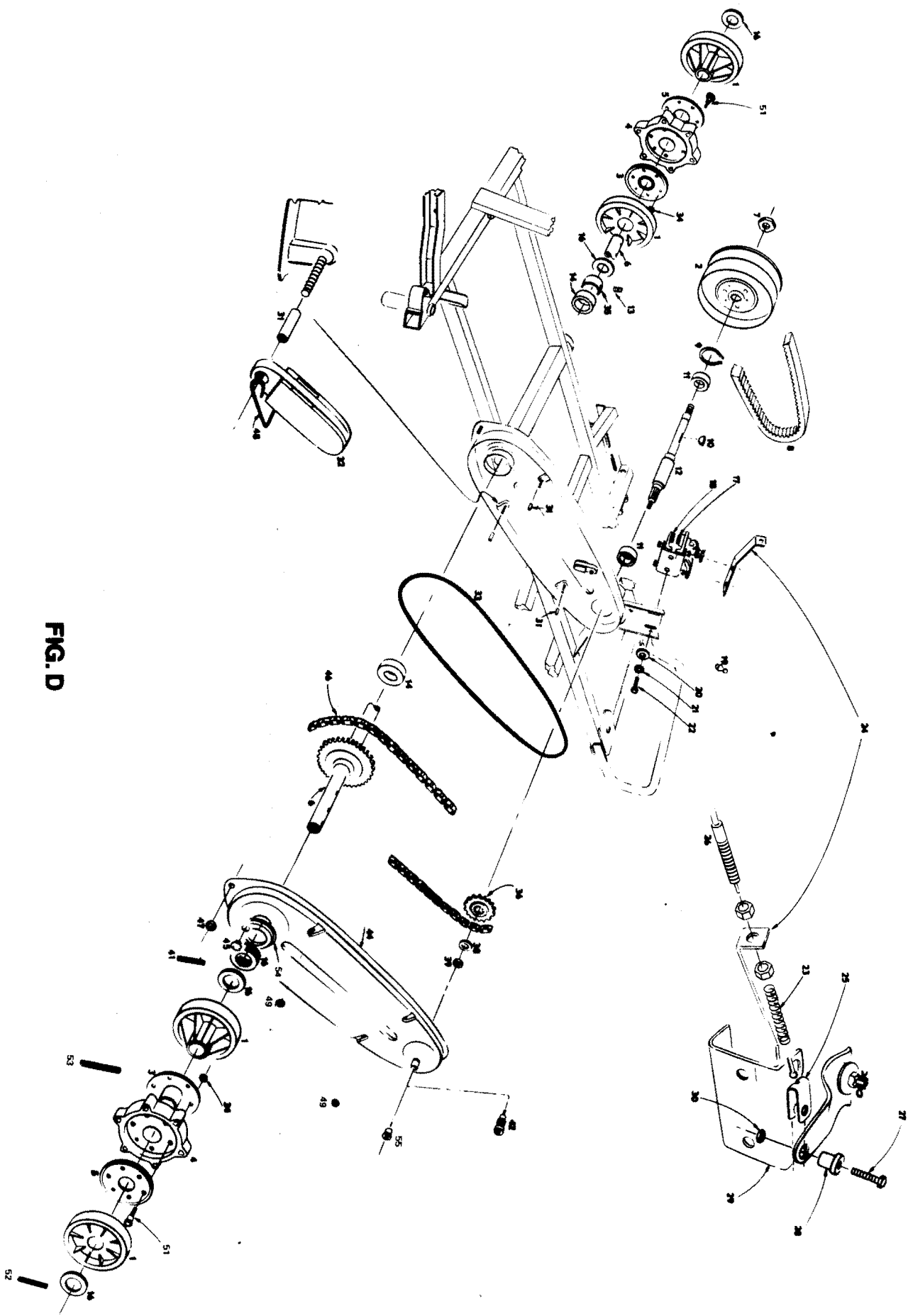


FIG. D

FIGURE "D"

REFERENCE NUMBER	PART NUMBER	DESCRIPTION	VEHICLE QUANTITY
1	1207-R-3000	Wheel-Track Support-Front	4
2	1602-R-4001	Driven Converter	1
3	1608-R-3003	Hub Assembly-Track Drive Sprocket	2
4	1608-R-3000	Sprocket-Track Drive	2
5	1608-R-3005	Flange-Track Drive Sprocket	2
6	1606-R-4000	Drive Axle Assembly	1
7	2250A-75	Lock Nut-3/4-10-Hex Stover	1
8	1603-R-4001	Drive Belt	1
9	3003	Retaining Ring-Bearing Housing-Truarc	1
10	2903	Key-Woodruff No. 606	1
11	1609-R-3000	Bearing-Converter Shaft	2
12	1607-R-3013	Shaft-Torque Converter	1
13	2908	Set Screw	1
14	1609-R-3001	Bearing-Drive Axle	2
16	2382	Bushing-Machine-No. 12	9
17	1805-R-3011	Brake Puck-Outer	1
18	1805-R-3010	Brake Puck-Inner	1
19	3101	Fitting-Grease	1
20	2305-31	Flat Washer-5/16	2
21	2324-31	Lock Washer-5/16	2
22	2101A-31-5	Bolt-5/16-18 x 5/8-Hex Head	2
23	1805-R-3003	Spring-Brake Control	1
24	1805-R-3008	Bracket-Brake Cable Mounting	1
25	1805-R-3002	Clevis-Brake Control	1
26	1805-R-4001	Brake Control Cable Assembly	1
27	2101A-25-6	Bolt-1/4-20 x .75-Hex Head	1
28	1805-R-3005	Bushing-Brake Swivel	1
29	1805-R-3004	Brake Assembly	1
30	2203A-25	Lock Nut-1/4-20-Hex Head	1
31	1607-R-3005	Spacer-Chain Case	4
32	1607-R-3008	Slipper-Chain Tensioner	2
33	1607-R-4007	Sealant-Chain Case-Outer	1
34	2203A-31	Lock Nut-5/16-18	12
35	1609-R-3002	Collar-Drive Axle Bearing	1
36	1601-R-4003	Chain Sprocket - 13T	1
38	2305-62	Flat Washer-5/8	1
39	2255A-62	Lock Nut-5/8-18-N.F.-Hex Stover	1

FIGURE "D"
(Con't)

REFERENCE NUMBER	PART NUMBER	DESCRIPTION	VEHICLE QUANTITY
42	1803-R-3002	Bushing Speedometer	1
44	1607-R-3009	Cover Assembly-Chain Case	1
46	1604-R-4001	Drive Chain (98 Pitch)	1
48	1607-R-3007	Spring-Chain Tensioner	2
49	2203A-25	Lock Nut-1/4-20	5
50	3001	Cap Plug-5/8	1
51	2110	Shoulder Bolt-Special	12
52	2905	Roll Pin-3/16 x 2.00	4
53	2902	Roll Pin-5/16 x 2.00	2
54	1607-R-4000	Seal-Chain Case	1
55	1607-R-4008	Cap-Speedo Adapter	1

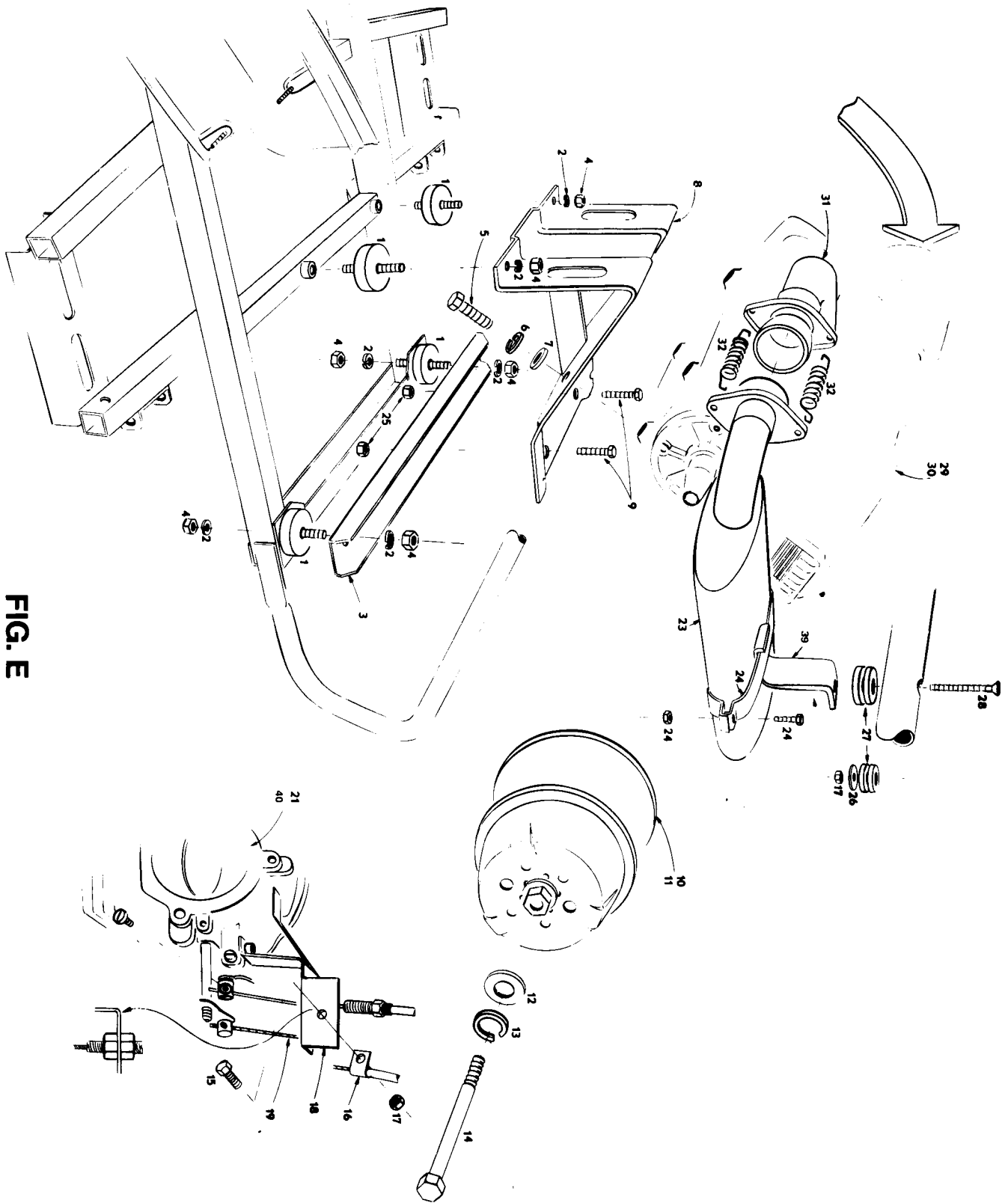


FIG. E

FIGURE "E"

REFERENCE NUMBER	PART NUMBER	DESCRIPTION	VEHICLE QUANTITY
1	1105-R-3000	Isolator - Motor Mount	4
2	2324-38	Lock Washer-3/8	6
3	1005-R-3002	Channel-Engine Mounting	1
4	2202A-38	Nut-3/8-24-N.F.-Hex	6
5	2101A-44-10	Bolt-7/16-14 x 1 1/4	4
6	2324-44	Lock Washer-7/16	4
7	2305-44	Flat Washer-7/16	4
8	1005-R-3000	Bracket-Engine Mounting	1
9	2101A-38-12	Bolt-3/8-16 x 1 1/2-Hex Head	2
10	1007-R-4001	Clutch-340/2 CCW	1
11	1007-R-4002	Clutch-400/3 CCW	1
12	2305-50	Flat Washer-1/2	1
13	2324-50	Lock Washer-1/2	1
14	2102A-50-40	Bolt-1/2-20 x 5.0-Hex Head	1
15	2101A-25-6	Bolt-1/4-20 x .75-Hex Head	1
16	1802-R-3001	Clip-Choke Cable Retainer	1
17	2203A-25	Lock Nut-1/4-20-Hex	2
18	1802-R-3002	Bracket-Choke Mounting	1
19	1802-R-3000	Choke Cable Assembly	1
21	1003-R-4001	Carburetor-340/2 CCW	1
23	1004-R-3010	Muffler Assembly	1
24	1004-R-3002	Muffler Clamp Assembly	1
25	2203A-38	Lock Nut-3/8-16	2
26	2386	Fender Washer-1/4 x 1.0	1
27	1004-R-4002	Isolator-Muffler Mounting	2
28	2104A-25-32	Bolt-1/4-20 x 2 3/4-Flat Phillips Head	1
29	1001-R-4003	Engine 340/2 CCW	1
30	1001-R-4004	Engine-400/3	1
32	1004-R-3005	Spring-Ball Joint	2
34	1004-R-3006	Exhaust Manifold Assembly	1
39	1004-R-3003	Muffler Bracket	1
40	1003-R-4002	Carburetor 400/3 CCW	1

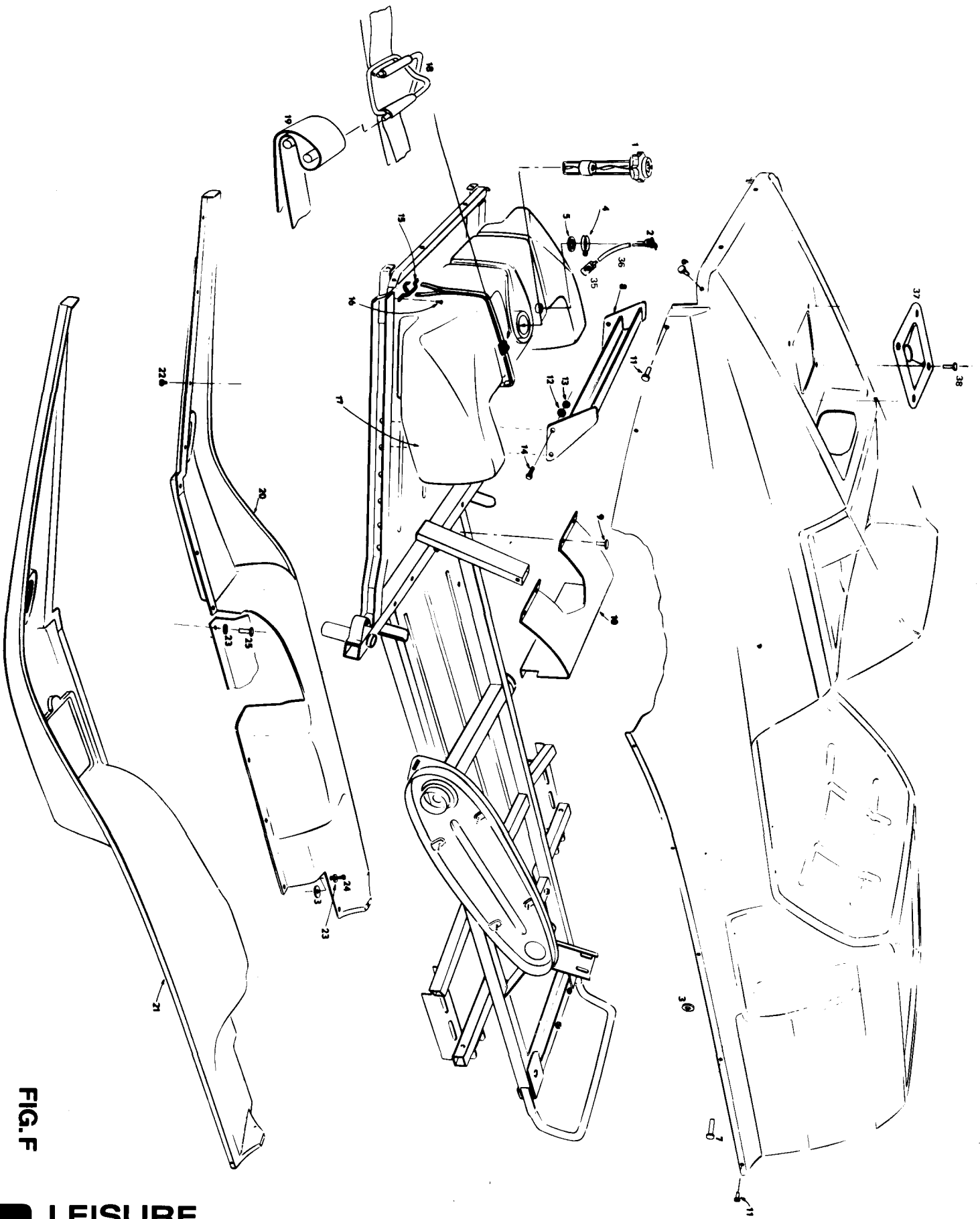


FIG. F

FIGURE "F"

REFERENCE NUMBER	PART NUMBER	DESCRIPTION	VEHICLE QUANTITY
1	1401-R-3012	Cap Gauge-Fuel	1
2	1401-R-4001	Outlet Assembly-Fuel Tank	1
3	2305-10	Washer-3/16	21
4	3006	Clamp-Fuel Neck Hose	1
5	1401-R-3009	Gasket-Outlet	1
6	2501	Rivet	4
7	2527	Rivet	18
8	1101-R-3001	Footrest Assembly	1
9	2509	Rivet	8
10	1101-R-3037	Tie Rod Cover	1
11	2523	Rivet	2
12	2324-31	Lock Washer-5/16	4
13	2201A-31	Nut-5/16-18	4
14	2101A-31-6	Bolt- 5/16 x .75	4
15	1101-R-3034	Footman Loop	4
16	2510	Rivet	8
17	1401-R-3004	Fuel Tank	1
18	1401-R-3014	Clip-Fuel Tank Strap	2
19	1401-R-3013	Strap-Fuel Tank Hold Down	2
20	1705-R-4001	Valance Panel-R.H.	1
21	1705-R-4002	Valance Panel-L.H.	1
22	2501	Rivet	32
23	3007	Grommet	12
35	1404-R-4000	Filter-Fuel	1
36	1403-R-4001	Hose-Fuel Pick-up	1
37	1706-R-4002	Escutcheon-Body to Fuel Tank.	1
38	2526	Rivet	4

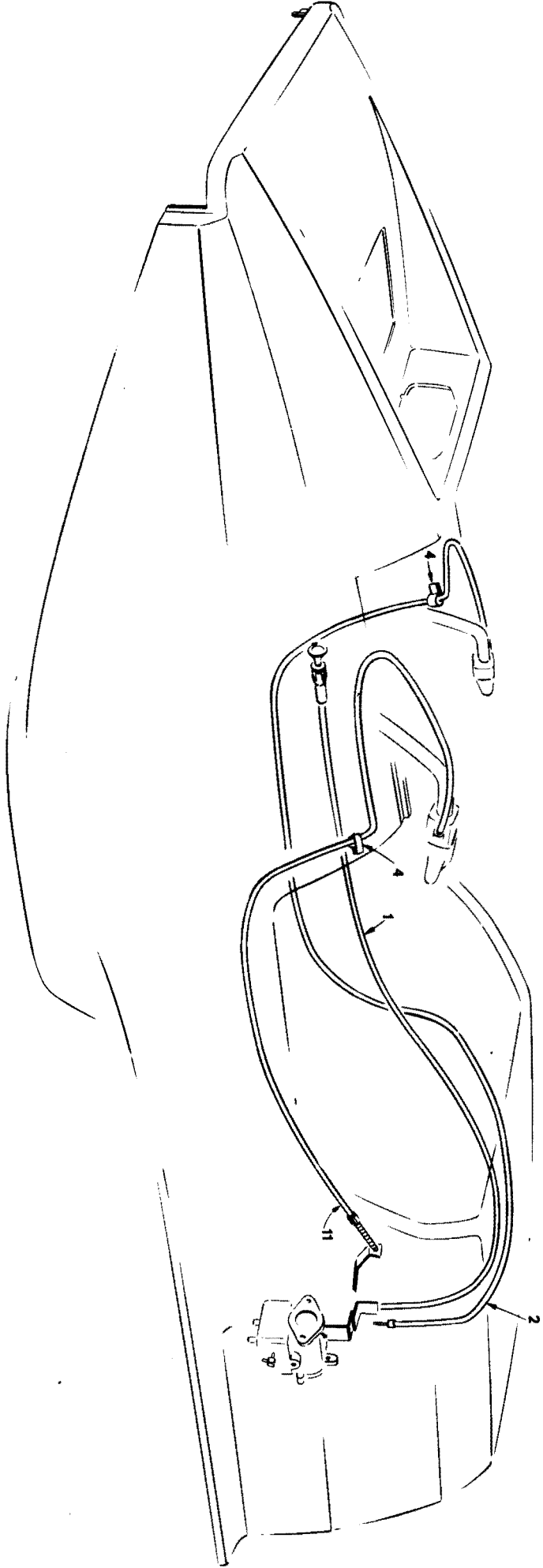


FIG. G

FIGURE "G"

REFERENCE NUMBER	PART NUMBER	DESCRIPTION	VEHICLE QUANTITY
1	1802-R-3000	Choke Cable Assembly	1
2	1801-R-4001	Throttle Control Cable Assembly	1
3	1802-R-3002	Bracket-Choke Mounting	1
4	3038	Clamp	2
11	1805-R-4001	Brake Control Cable Assembly	1

FIGURE "H"

REFERENCE NUMBER	PART NUMBER	DESCRIPTION	VEHICLE QUANTITY
3	1801-R-4002	Lever Assembly-Throttle and Brake Control	2
5	1505-R-3005	Hand Grip-Handle Bar	2
7	1802-R-3000	Choke Cable Assembly	1
10	1706-R-3001	Bracket-Choke Cable-Body Mounting	1
11	2510	Rivet-SD-64-BS	2
12	1403-R-4001	Hose-Fuel Pick-Up	1
13	1404-R-4000	Fuel Filter	1

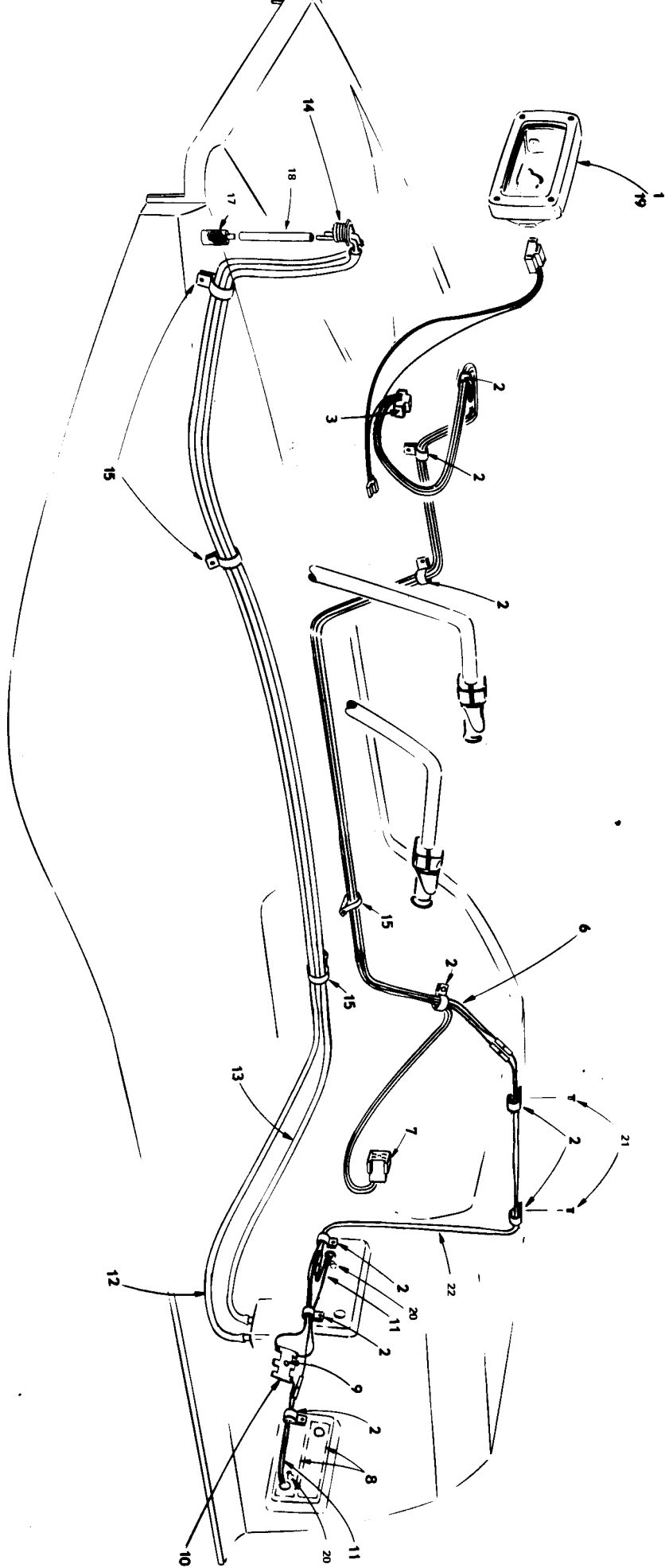


FIG. 1

FIGURE "I"

REFERENCE NUMBER	PART NUMBER	DESCRIPTION	VEHICLE QUANTITY
1	1308-R-3000	Headlamp Assembly	1
2	3038	Cable Clamp	9
3	1305-R-3011	Connector-5 way multiple	1
6	1305-R-4002	Body Wiring Harness Assembly	1
7	1304-R-3002	Coupler-6 Terminal	1
8	1309-R-3001	Tail Lamp Lens	4
9	2524	Rivet	1
10	1305-R-3001	Terminal Strip-Ground (6 blade)	1
11	1309-R-3002	Socket & Cable Assembly-Tail Lamp	2
12	1403-R-4003	Fuel Return Line	1
13	1403-R-4002	Fuel Supply Line	1
14	1401-R-4001	Outlet Assembly-Fuel Tank	1
15	3037	Cable Clamp	5
17	1404-R-4000	Fuel Filter	1
18	1403-R-4001	Fuel Pick-up	1
19	1308-R-3001	Bulb-Head Lamp	1
20	1309-R-3003	Bulb-Tail Lamp	2
21	2509	Rivet	2
22	1305-R-4003	Tail Wiring Harness Assembly	1

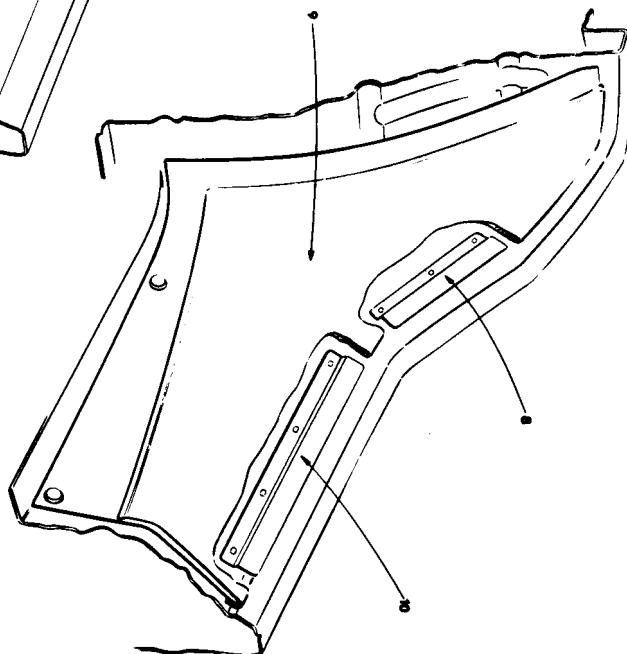
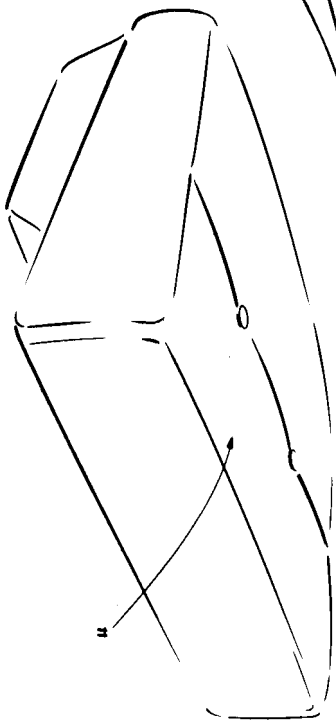
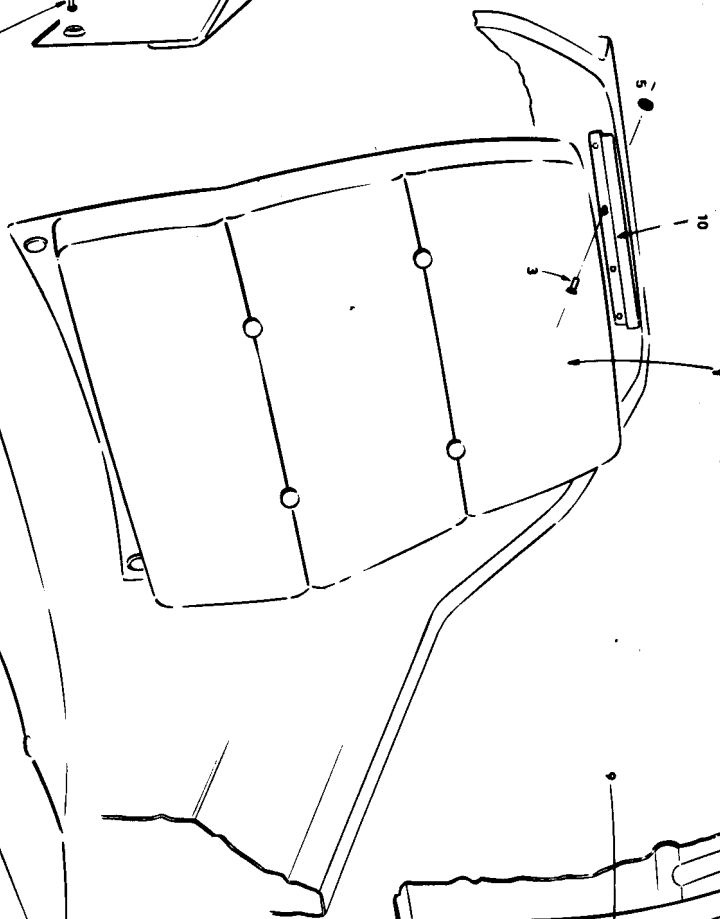
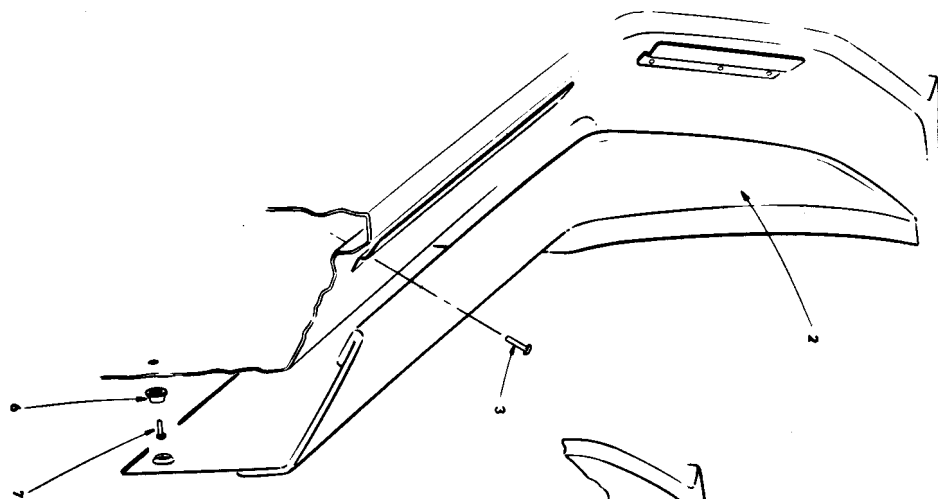


FIG. J

FIGURE "J"

REFERENCE NUMBER	PART NUMBER	DESCRIPTION	VEHICLE QUANTITY
1	1709-R-3007	Cushion Assembly-Seat Back	1
2	1709-R-3012	Trim Assembly-Interior-R.H.	1
3	2535	Rivet	18
5	2385	Riveting Washer-1/8	6
6	3010	Stud Snap Fastener	6
7	2526	Rivet-1/8	6
8	1709-R-3002	Retainer-Seat Side Trim	2
9	1709-R-3011	Trim Assembly-Interior-L.H.	1
10	1709-R-3001	Retainer-Seat Back Trim	3
11	1709-R-3010	Cushion Assembly-Seat Bottom	1

FIG. K

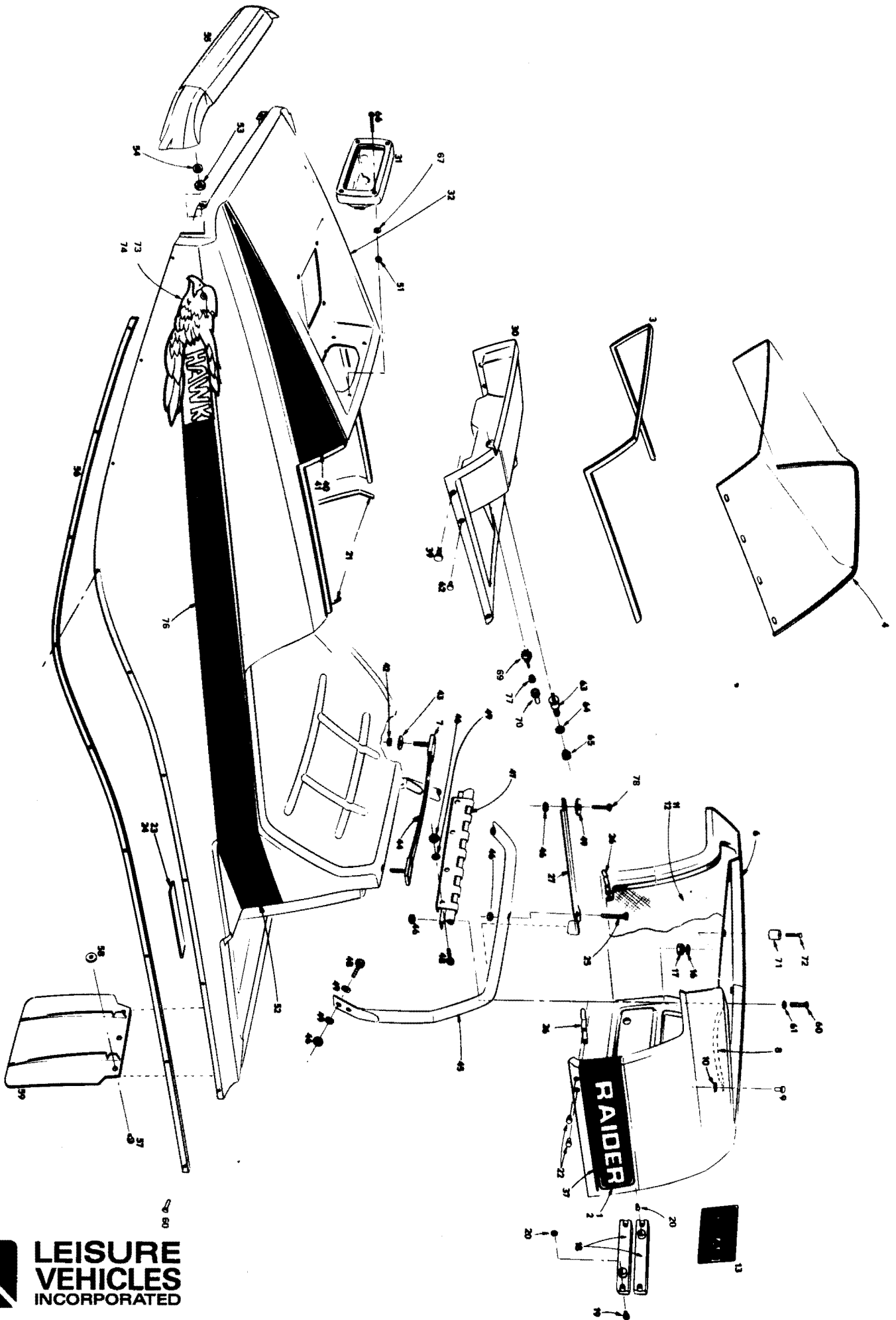


FIGURE "K"

REFERENCE NUMBER	PART NUMBER	DESCRIPTION	VEHICLE QUANTITY
1	1707-R-4004	Side Decal-Rear-L.H.	1
2	1707-R-4005	Side Decal-Rear-R.H.	1
3	1702-R-3006	Molding-Windshield	1
4	1702-R-3004	Windshield Assembly	1
5	1309-R-3002	Socket & Cable Assembly-Tail Lamp	2
6	1704-R-4008	Cover-Engine	1
8	1704-R-3009	Strap-Engine Cover Hold Down	1
9	2518	Rivet	2
10	2384	Flat Washer-No. 10	2
11	1704-R-3021	Sound Deadener-Engine Compartment	2
12	1309-R-3003	Bulb-Tail Lamp	2
13	1707-R-4006	Decal-Rear-Black	1
18	1309-R-3001	Lens-Tail Lamp	4
19	2410A-8-12	Machine Screw-8-32 x .75	8
20	2251A-8	Lock Nut-8-32-W/Ext. Lock Washer	8
21	1707-R-3000	Molding-Interior Trim	1
22	2521	Rivet	4
23	1701-R-3007	Insulator-Body to Frame-Rear	1
24	1701-R-3008	Insulator-Body to Frame-Side	2
25	2104A-25-12	Bolt-1/4-20 x 1.50 Phillips	1
26	1704-R-3015	Locator-Engine Cover	2
27	1704-R-3008	Brace-Engine Cover	1
30	1701-R-4009	Panel-Instrument	1
31	5130-R-3001	Headlamp Assembly (less bulb)	1
32	1701-R-4010	Shell-Body	1
38	2305-10	Plain Washer	7
39	1702-R-3007	Clip-Windshield Retaining	14
40	1707-R-3005	Side Marker-Front-R.H.	1
41	1707-R-3004	Side Marker-Front-L.H.	1
45	1704-R-3005	Support-Engine Cover	1
46	2203A-25	Lock Nut-1/4-20	14
47	1704-R-3010	Hinge Assembly	1
48	2101A-25-6	Bolt-1/4-20 x .75	8
49	2305A-25	Flat Washer-1/4	20
51	2257A-10	Nut & Washer Assembly-10-32	4
52	1707-R-3001	Side Marker Stripe	2

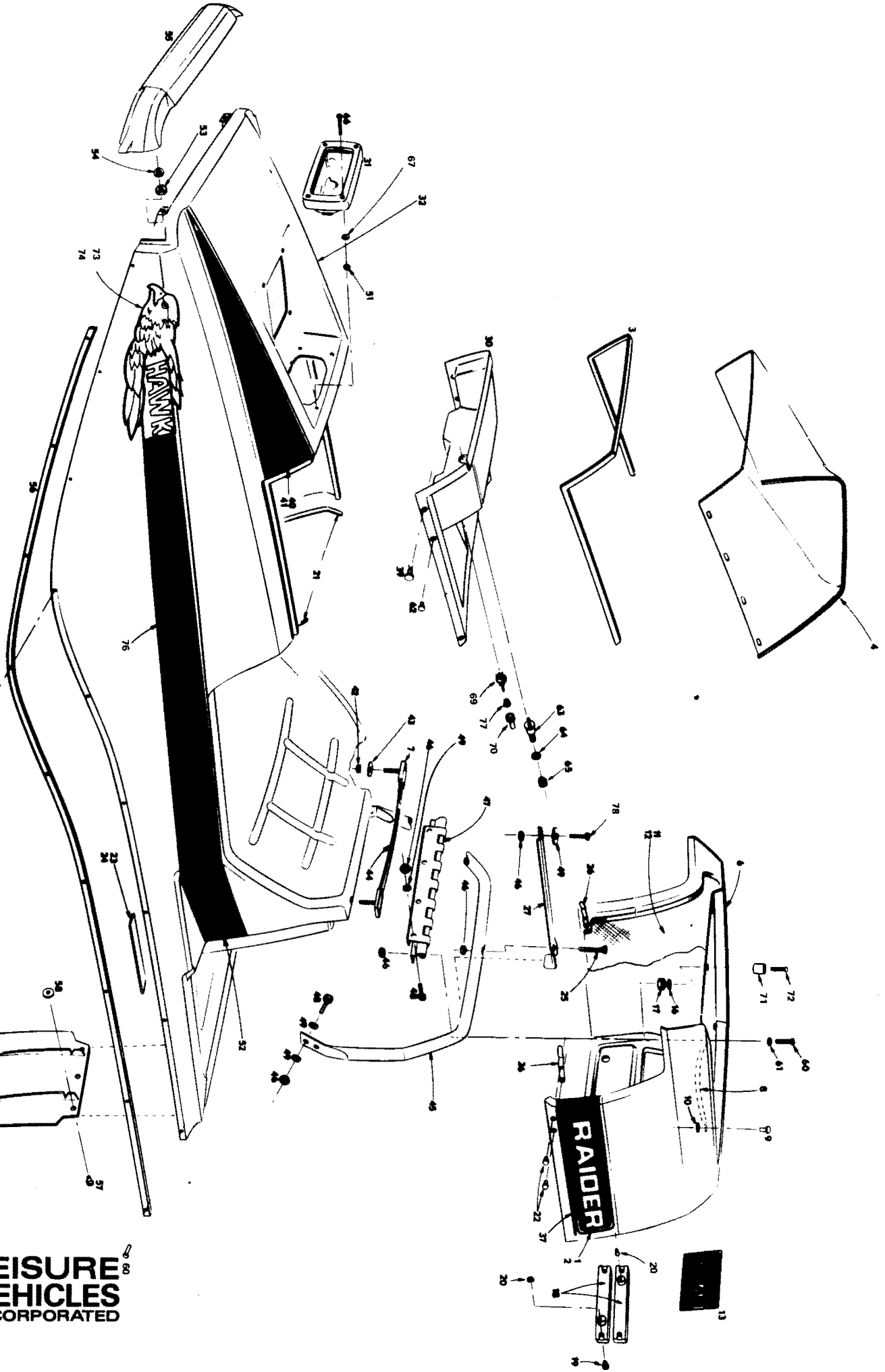


FIG. K

FIGURE "K"
(Con't.)

REFERENCE NUMBER	PART NUMBER	DESCRIPTION	VEHICLE QUANTITY
53	2203A-31	Lock Nut-5/16-18	2
54	2305-31	Flat Washer-3/8	2
55	1703-R-3002	Bumper Assembly-Front	1
56	1707-R-4023	Molding-Body-Side	2
57	2501	Rivet-3/16	6
58	2305-10	Plain Washer-13/64	32
59	1708-R-3003	Snow Guard	2
60	2501	Rivet-3/16	9
61	3007	Rubber Grommet-3/16	9
62	2522	Rivet	7
63	1306-R-3000	Ignition Switch	1
64	1306-R-3002	Nut-Ignition Switch	1
65	1306-R-3009	Nut-Switch Mounting	1
66	2411D-10-20	Screw-10-32 x 1 1/4	4
67	2384	Flat Washer-10	4
69	1307-R-4001	Switch-Headlamp Dimmer	1
70	1307-R-4003	Boot-Switch	1
71	2389D-25	Washer-Trim-1/4	4
72	2410D-25-12	Screw Oval-H.D.-1/4-20 x .75	4
73	1707-R-4002	Hawk H.D. Decal-L.H.	1
74	1707-R-4003	Hawk H.D. Decal-R.H.	1
75	1707-R-4008	Side Decal Pin Stripe-Rear	2
76	1707-R-4007	Side Decal Pin Stripe	2
77	1307-R-4002	Nut-Switch Mounting	1
78	2101A-25-8	Bolt-1/4-20 x 1.0	1

1974 HAWK PARTS LIST

DESCRIPTION	PART NUMBER
POWER TRAIN	
Carburetor 340/2 CCW	1003-R-4001
Carburetor 400/3 CCW	1003-R-4002
Muffler Clamp Assembly	1004-R-3002
Spring-Ball Joint	1004-R-3005
Muffler Assembly	1004-R-3010
Exhaust Manifold Assembly	1004-R-3006
Muffler Mounting Isolator	1004-R-4002
Muffler Bracket	1004-R-3003
Assembly-Muffler Support & Bracket (Canada)	1004-R-3021
Bracket-Engine Mounting	1005-R-3000
Channel-Engine Mounting	1005-R-3002
Clutch-340/2 CCW	1007-R-4001
Clutch-400/3 CCW	1007-R-4002
FRAME	
Frame Assembly	1101-R-3000
Footrest Assembly	1101-R-3001
Footman Loops	1101-R-3034
Tie Rod Cover	1101-R-3037
Isolator-Motor Mount	1105-R-3000
SUSPENSION & TRACK	
Slide Frame Subassembly	1201-R-3002
Slide Rail	1201-R-3009
Stop-Bumper Suspension	1201-R-3012
Rebound Stop-Rear-Upper	1201-R-3015
Bogie Wheel	1202-R-3000
Track Assembly	1204-R-4000
Growser Bar	1204-R-3002
Track Guide	1204-R-3003
Spring-Rear Main	1205-R-3000
Spring-Rear Upper	1205-R-3001
Spring-Rear Overload	1205-R-3002
Bushing-Rear Spring	1205-R-3003
Adjuster-Track Assembly	1205-R-3004
Plate-Spring Pressure	1205-R-3007
Shock-Rear	1206-R-3000
Wheel-Track Support-Front	1207-R-3000
Wheel-Track Support-Rear	1207-R-3001

1974 HAWK PARTS LIST
(Con't.)

DESCRIPTION	PART NUMBER
ELECTRICAL SYSTEM	
Nut-Switch Mounting	1307-R-4002
Coupler-6 Terminal	1304-R-3002
Body Wiring Harness Assembly	1305-R-4002
Terminal Strip-Ground (6 blade)	1305-R-3001
Connector-5 way multiple	1305-R-3011
Ignition Switch	1306-R-3000
Nut-Ignition Switch	1306-R-3002
Nut-Switch Mounting	1306-R-3009
Bulb-Headlight	1308-R-3001
Tail Lamp (Lens)	1309-R-3001
Socket & Cable Assembly-Tail Lamp	1309-R-3002
Bulb-Tail Lamp (2 CP)	1309-R-3003
Head Lamp Assembly (Less Bulb)	5130-R-3001
Tail Wiring Harness Assembly	1305-R-4003
Headlamp Dimmer Switch	1307-R-4001
Switch Boot	1307-R-4003
FUEL SYSTEM	
Fuel Tank	1401-R-3004
Outlet Assembly-Fuel Tank	1401-R-4001
Gasket-Outlet	1401-R-3009
Cap Gauge-Fuel	1401-R-3012
Strap-Fuel Tank Hold Down	1401-R-3013
Clip-Fuel Tank Strap	1401-R-3014
Fuel Filter	1404-R-4000
Hose-Fuel Pick-up	1403-R-4001
Hose-Fuel Return Line	1403-R-4003
Hose-Fuel Supply Line	1403-R-4002
STEERING SYSTEM	
Handle-Ski	1501-R-3000
Ski Assembly	1501-R-3001
Wear Rod Assembly	1501-R-3006
Bushing-Ski Pivot	1501-R-3009
Grip-Ski	1501-R-3110

1974 HAWK PARTS LIST
(Con't.)

DESCRIPTION	PART NUMBER
STEERING SYSTEM	
(Con't.)	
Spindle Assembly-Steering	1502-R-3000
Bumper Stop-Spindle	1502-R-3005
Steering Arm Assembly	1503-R-3000
Tie Rod-Steering	1504-R-3000
Rod End-LH Thread-Male	1504-R-3002
Rod End-RH Thread-Male	1504-R-3003
Handle Bar Assembly	1505-R-3000
Hand Grip-Handle Bar	1505-R-3005
Spring-Front Suspension	1506-R-3000
Boot-Steering Spindle	1507-R-3000
Brace-Tie Rod	1504-R-4002
DRIVE & TRANSMISSION SYSTEM	
Chain Sprocket-13T	1601-R-4003
Driven Converter	1602-R-4001
Drive Belt	1603-R-4001
Drive Chain (98 Pitch)	1604-R-4001
Drive Axle Assembly	1606-R-4000
Spacer-Chain Case	1607-R-3005
Spring-Chain Tensioner	1607-R-3007
Slipper-Chain Tensioner	1607-R-3008
Chain Case Cover Assembly	1607-R-3009
Shaft-Torque Converter	1607-R-3013
Sealant-Chain Case-Outer	1607-R-4007
Sprocket-Track Drive	1608-R-3000
Hub Assembly-Track Drive Sprocket	1608-R-3003
Flange-Track Drive Sprocket	1608-R-3005
Bearing-Converter Shaft	1609-R-3000
Bearing-Drive Axle	1609-R-3001
Collar-Bearing-Drive Axle	1609-R-3002
Seal-Chain Case	1607-R-4000
Cap-Speedo Adapter	1607-R-4008

**1974 HAWK PARTS LIST
(Con't.)**

DESCRIPTION	PART NUMBER
BODY COMPONENTS	
Shell-Body	1701-R-4010
Panel-Instrument	1701-R-4009
Insulator-Body to Frame-Rear	1701-R-3007
Insulator-Body to Frame-Side	1701-R-3008
Molding-Body Side	1707-R-4023
Windshield Assembly	1702-R-3004
Molding-Windshield	1702-R-3006
Clip-Windshield Retaining	1702-R-3007
Bumper Assembly-Front	1703-R-3002
Support-Engine Cover	1704-R-3005
Brace-Engine Cover	1704-R-3008
Strap-Engine Cover Hold Down	1704-R-3009
Hinge Assembly-Engine Cover	1704-R-3010
Cover-Engine	1704-R-4008
Locator-Engine Cover	1704-R-3015
Sound Deadener-Engine Compartment	1704-R-3021
Panel-Valance-LH	1705-R-4002
Panel-Valance-RH	1705-R-4001
Bracket-Choke Cable Body Mounting	1706-R-3001
Molding-Interior Trim	1707-R-3000
Side Marker Stripe	1707-R-3001
Side Marker-LH-Front	1707-R-3004
Side Marker-RH-Front	1707-R-3005
Decal-Rear-Black	1707-R-4006
Side Decal Rear-RH (RAIDER)	1707-R-4004
Side Decal-Rear-LH (RAIDER)	1707-R-4005
Snow Guard	1708-R-3003
Retainer-Seat-Back	1709-R-3001
Retainer-Seat-Side	1709-R-3002
Cushion Assembly-Seat Back	1709-R-3007
Cushion Assembly-Seat Bottom	1709-R-3010
Trim Assembly-Interior-LH	1709-R-3011
Trim Assembly-Interior-RH	1709-R-3012
Escutcheon-Body to Fuel Tank	1706-R-4002
Side Decal Pin Stripe-Rear	1707-R-4008
Side Decal Pin Stripe	1707-R-4007
Hawk Head Decal-LH	1707-R-4002
Hawk Head Decal-RH	1707-R-4003

1974 HAWK PARTS LIST
(Con't.)

DESCRIPTION	PART NUMBER
INSTRUMENTS & CONTROLS	
Throttle Control Cable Assembly	1801-R-4001
Lever Assembly-Throttle & Brake Control	1801-R-4002
Choke Cable Assembly	1802-R-3000
Clip-Choke Cable Retainer	1802-R-3001
Bracket-Choke Mounting	1802-R-3002
Bushing-Speedometer	1803-R-3002
Brake Control Cable Assembly	1805-R-4001
Brake Assembly	1805-R-3004
Bracket-Brake Cable Mounting	1805-R-3008
Brake Puck-Inner	1805-R-3010
Brake Puck-Outer	1805-R-3011
Spring-Brake Control	1805-R-3003
Clevis-Brake Control	1805-R-3002
Bushing-Brake Swivel	1805-R-3005