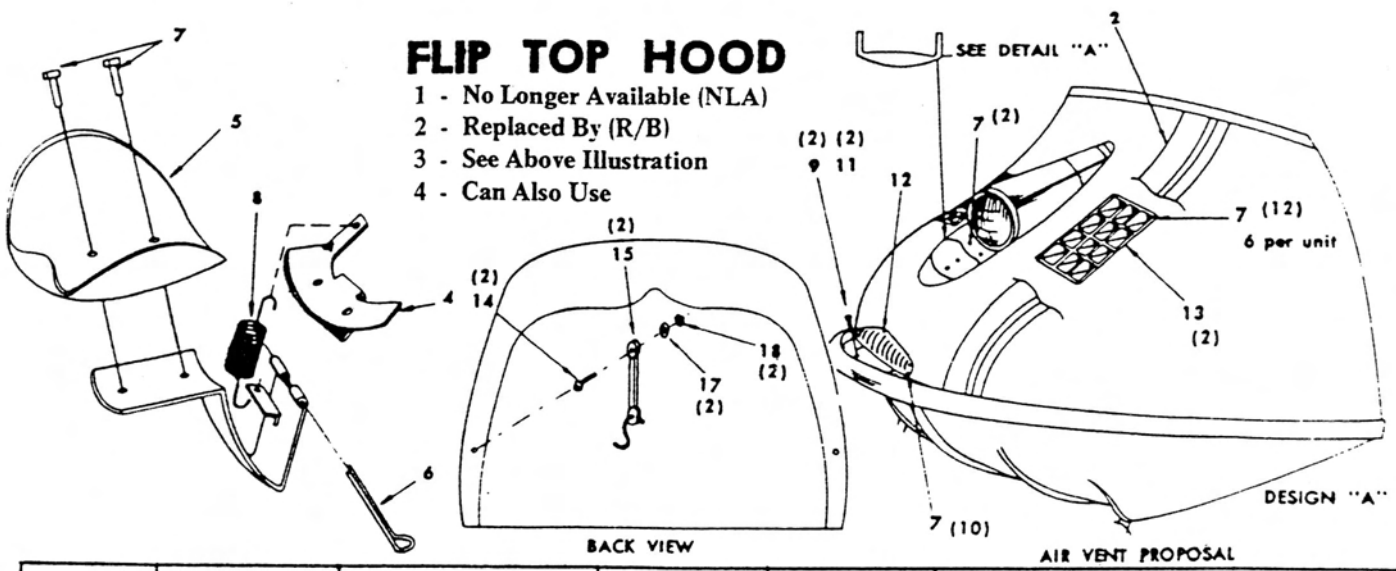
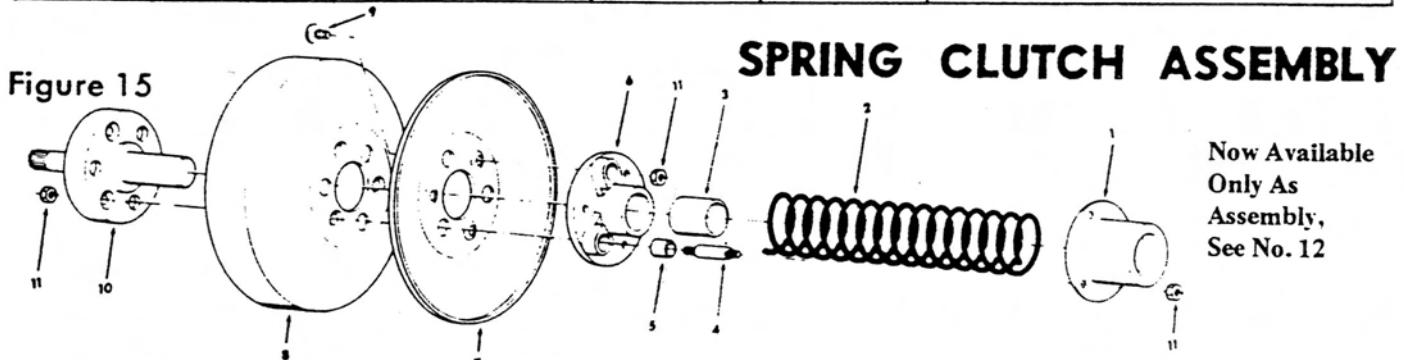


**SCORPION SNOWMOBILE
PARTS MANUAL
1970**

**MARK I
MARK II
MARK III
STINGER**



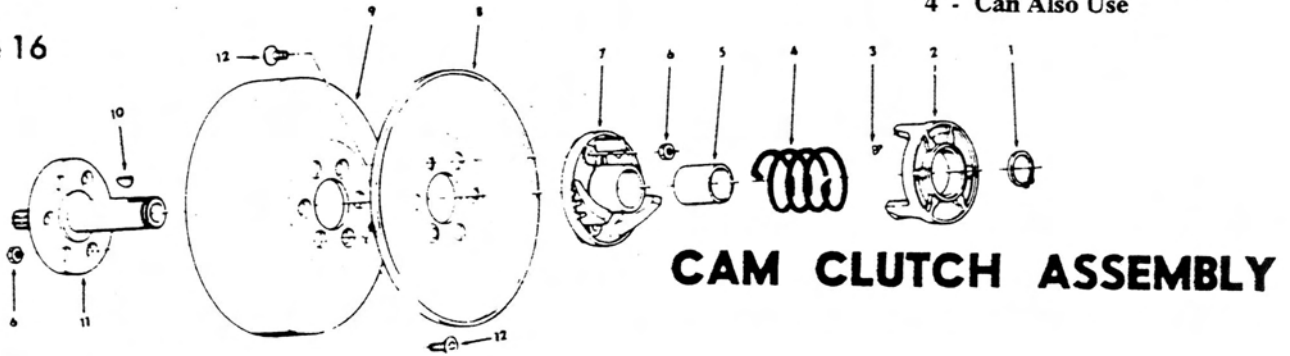
NO.	MARK I	MARK II	MARK III	MARK IV	PART NAME
1	① 950200	① 050200-050400	① 050300	① 050500	Hood
2	① 057010	① 057010	① 057010	① 057010	Hood Stripes
4		① 050618	① 050618		Gas Cover-Hinge Top
5			① 050599		Gas Cover Assembly
6			140432		Cotter Pin 1/8 x 2" LG
7		② 155502			Pop Rivet R/B 155505
8		① 050660	① 050660		Spring- Gas Cover
9			152004		Hinge Pin Flip Top Hood
11			140308		Cotter Pin 1/16x 1/2 LG
12		050700	② 050790		Grill R/B 050700
13		051000			Air Louvre
14			132007		Screw
15		050900	050900		Rubber Hold-Down Ass'y
17			105003		Washer
18			102203		Nut



NO.	PART NO.	PART NAME	NO. USED
1	985600	Spring Retainer	1
2	885710	Spring	1
3	② 886000	Bushing R/B 986000	1
4	085500	Dowel	3
5	886100	Bushing - Dowel	3
6	085400	Dowel - Retainer	1
7	085200	Sheave- Movable	1
8	085210	Sheave - Stationary	1
9	132015	Soc Head Screw	6
10	088000	Shaft & Hub Assembly	1
11	102705	Nut	6
12	085000	Clutch Assembly	

- 1 - No Longer Available (NLA)
- 2 - Replaced By (R/B)
- 3 - See Above Illustration
- 4 - Can Also Use

Figure 16

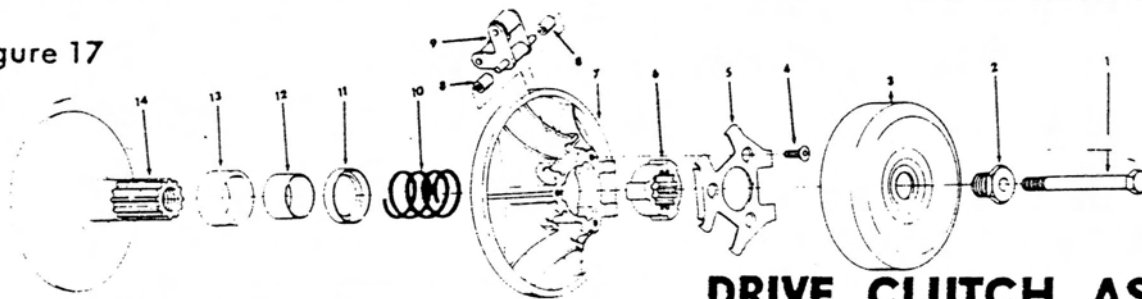


CAM CLUTCH ASSEMBLY

① 085110 Clutch Assembly

NO.	PART NO.	PART NAME	NO. USED
1	142001	Snap Ring	1
2	086700	Cam-Top	1
3	086790	Pad- Helical Ramp	3
4	② 085700	Spring - Cam Clutch R/B 085699	1
5	② 886000	Bushing R/B 986000	1
6	102705	Nut	6
7	② 086600	Cam- Bottom R/B 086599	1
8	085200	Movable - Sheave	1
9	085210	Stationary Sheave	1
10	160061	Key - Woodruff	1
11	088010-8	Shaft & Flange Assy.	1
11	① 088010-10	Shaft	1
12	132015	Soc. Head Screw	6

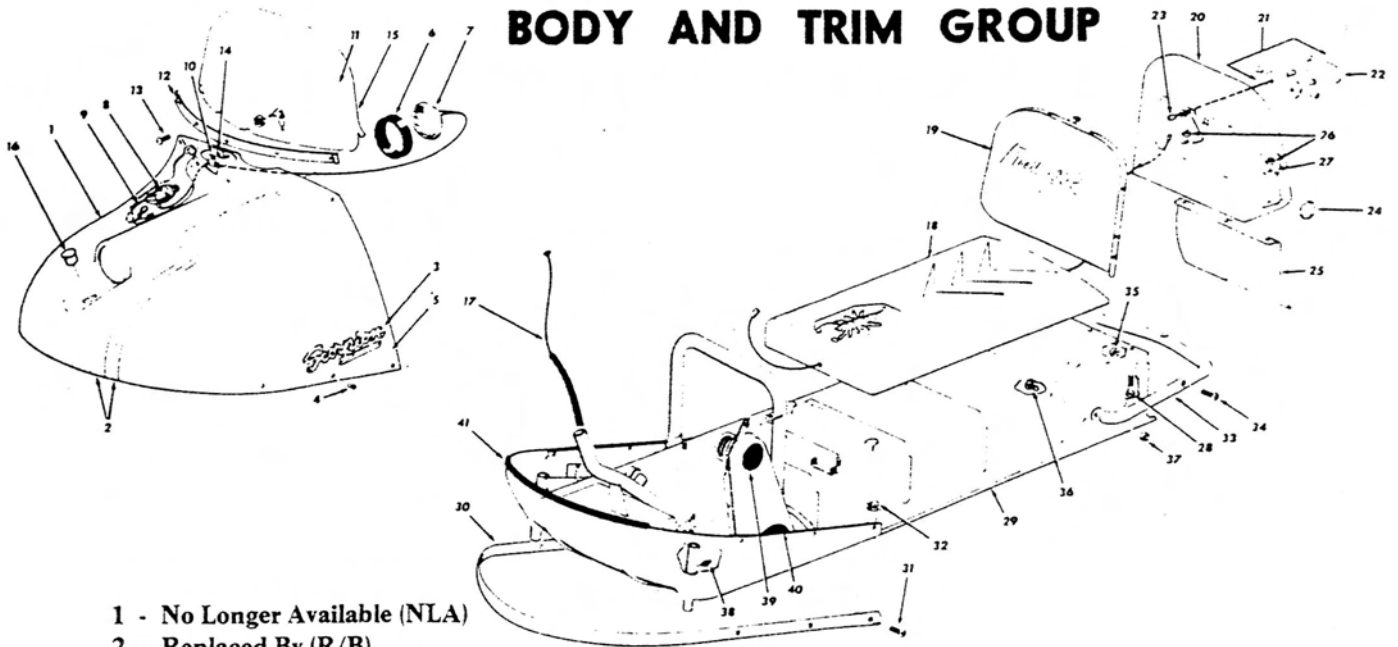
Figure 17



DRIVE CLUTCH ASSEMBLY

NO.	PART NO.	PART NAME	NO. USED
1	100006	Retainer Bolt	1
2	083900	Bell Housing Retainer	1
3	083700	Bell Housing	1
4	132015	Soc Head Screw	3
5	084500	Cap - Movable Sheave	1
6	② 084300	Torque Plug R/B 042670	1
7	081500	Movable Sheave	1
8	082500	Bushing	6
9	② 083270	Weight Arm Assembly (9/16 WT) R/B 083280	3
9	083280	Weight Arm Assembly (5/8 WT)	3
9	083290	Weight Arm Assembly (3/4 WT)	3
10	883400	Spring	1
11	② 983300	Spring Retainer R/B 083667	1
12	981400	Sleeve - Idler Bearing	1
13	983510	Idler Bearing	1
14	080494	Stationary Sheave-272 & 293 Sachs	1

BODY AND TRIM GROUP

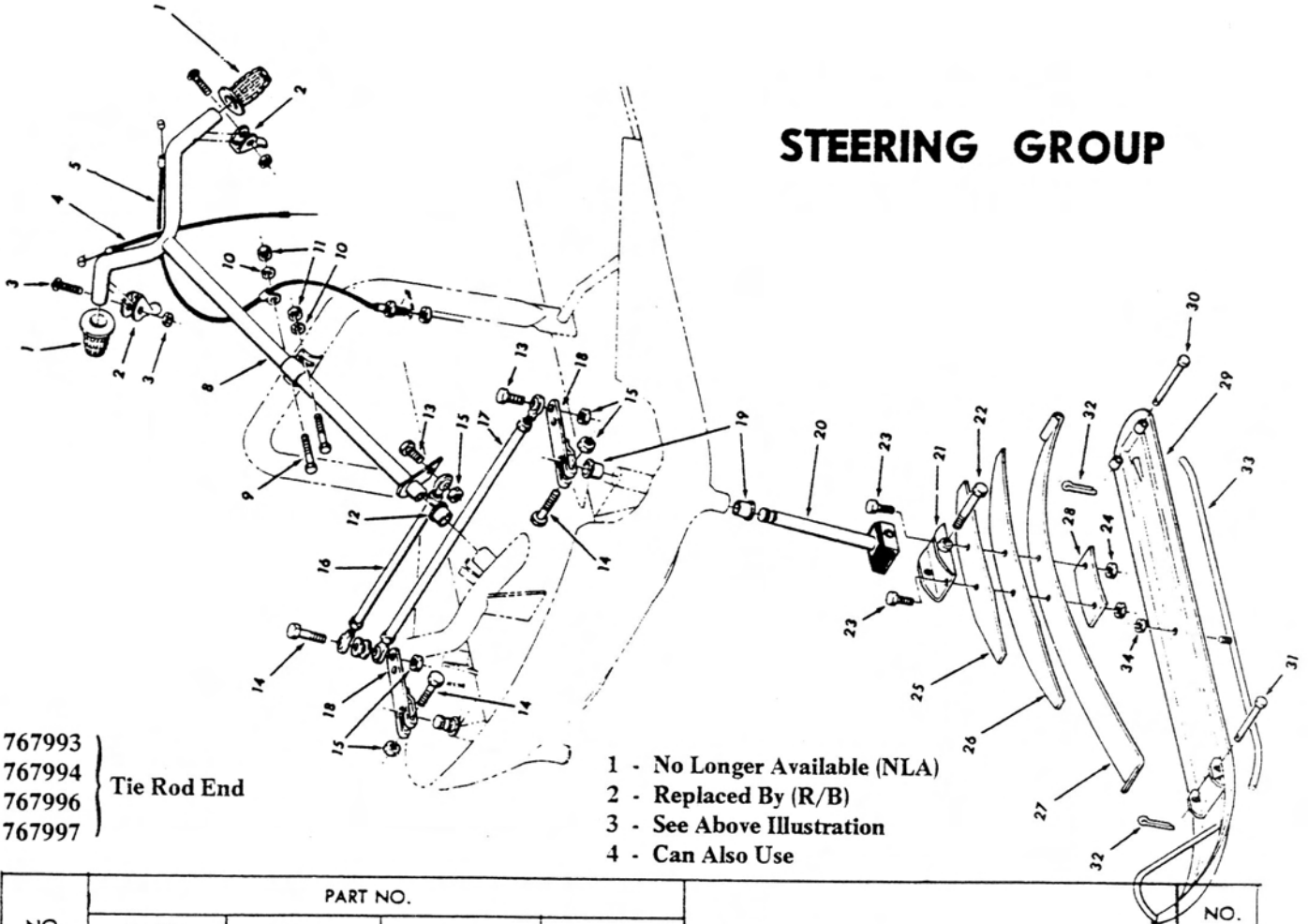


- 1 - No Longer Available (NLA)
- 2 - Replaced By (R/B)
- 3 - See Above Illustration
- 4 - Can Also Use

NO.	PART NO.				PART NAME	NO. USED
	MARK I	MARK II	MARK III	MARK IV		
1	950200 ①	① 050200 (S-050400)	① 950300 -050300	050500 ①	Hood	1
2	① 057010	① 057010	① 057010	① 057010	Hood Stripes	1
3	857200	857200	857200	857200	Scorpion Emblem	2
4	155001	155001	155001	155001	Emblem Pop Rivet	20
5	① 057500	① 057500	① 057500	① 057500	Model Number Decal-300	2
5	Specify Model & Engine Make				Model Number Decal-400	2
6	754100	754100	754100	754100	Head Light Retainer	1
7	054020	954010	954010	954010	Head Light Seal Beam	1
8	077200	077200	077200	077200	Ignition Switch	1
9	977300	② 077300 Sgl.	② 077310 Twin	② 077310 Twin	Wiring Harness Assembly R/B 077299	1
10	377400	077410	077410	077410	Wiring Harness Hood Clip	1
11	854600	854600	854600	954610	Windshield R/B 854600	1
12	855100	855100	855100	855100	Attaching Moulding	1
13	132002	132002	132002	132002	Moulding Bolt 3/16-24x3/4	5
14	103003	103003	103003	103003	Moulding Wing Nut 3/16-24	5
15	756400	756400	756400	① 956410	Windshield Plastic Trim	1
16	① 756600	① 756600	① 756600	① 756600	Gas Filler Cap	1
17	856800	856800	856800	856800	Gas Measuring Stick	1
18	030000 R/B 030281	930100 -030400	030300 Std.	930200 III-IV DLxe	Seat	1
19		① 931500	031300 Std.	① 931200 III-IV DLxe	Back Rest	1
20		933300	933300	933300	Tool Box(Metal)	1
21	933497	933500	933500	933500	Tail Light Assembly	1
22	933600	933600	933600	933600	Tail Light Lens	1
23	① 933510	① 933510	① 933510	① 933510	Tail Light Wire Clip	1
24		② 934500	② 934500	② 934500	Stick-On Reflector R/B 042747	2
25		① 933400	① 933410	① 933420	Mud Flap	1
26		102604	102604	102604	Tool Box Attaching Nut 1/4-20	3
27		105004	105004	105004	Tool Box Attaching Washer 1/4	3
28		① 132013	① 132013	① 132013	Tool Box Attaching Bolt 1/4-20x1-1/2	3
29	032500	① 032800 S-032900	① 032620	① 033000	Body	1
30	051800	051800	051900	051900	Front Bumper	1
31	132009	132009	132009	132009	Hood Attaching Bolts 5/16-24x1-1/4	6
32	102002	102002	102002	102002	Hood Attaching Caged Nut 5/16-24	6
33		① 933700 S-033720	① 933710	① 933710	Rear Bumper	1
34		132014	132014	132014	Rear Bumper Mtg. Bolt 5/16-24x 1-1/4	2
35		102705	102705	102705	Rear Bumper Mtg. Locknut 5/16-24	2
36		132008	132008	132008	Rear Bumper Screw 5/16-24x 1/2	2
37		102505	102505	102505	Rear Bumper Mtg. Cap Nut 5/16-24	2
38	834300	834300	834300	834300	Grease Fitting	2
39	734100	734100	734100	734100	Chain Case Boot-Upper	1
40	734200	734200	734200	734200	Chain Case Boot- Lower	1
41	① 834000		① 834000		Front Rubber Moulding	1

077300
R/B 077320

STEERING GROUP

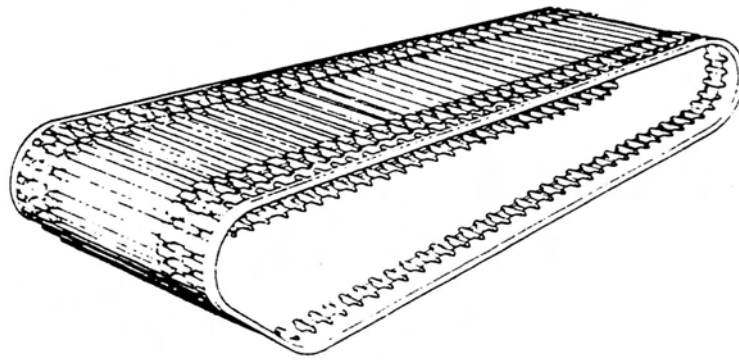


767993 }
 767994 } Tie Rod End
 767996 }
 767997 }

- 1 - No Longer Available (NLA)
- 2 - Replaced By (R/B)
- 3 - See Above Illustration
- 4 - Can Also Use

NO.	PART NO.				PART NAME	NO. USED
	MARK I	Mark II	MARK III	MARK IV		
1	062390	062390	062390	062390	Handle Bar Grips	2
2	862000	062010	062010	062010	Brake & Throttle Thumb Control	2
4	065000	065010	065010	065010	Throttle Cable Housing Assembly	1
5	062500	062400	062400	062400	Brake Cable Housing Assembly	1
8	960200	① 060200	① 060200	① 060300 Twin	Steering Post	1
9	110428	110428	110428	110428	Steering Post Att'ch'g Bolt 1/4-28x1-3/4	2
10	105003	105003	105003	105003	Steering Post Flat Washer 1/4	2
11	102704	102704	102704	102704	Steering Post Att'ch'g Locknut 1/4-28	2
12	966000	966000	966000	966000	Steering Post Nylon Bushing	1
13	110620	110620	110620	110620	Pitman Bar Tie Bolt 3/8-24x1-1/4	2
14	110628	110628	110628	110628	Pitman Bar Tie Bolt 3/8-24x1-3/4	3
15	102706	102706	102706	102706	Pitman Bar Tie Locknut 3/8-24	5
16	① 867200	① 867200	867100	867100	Drag Link Tie Rod	1
17	867300	867300	① 867400	① 867400	Steering Tie Rod Long	1
18	868500	868500	868500	868500	Steering Arm	2
19	② 042960	② 042960	② 042960	② 042960	Ski Leg Oilite Bushing R/B 042960	4
20		969500	969500	969500	Moulded Ski Leg	2
20	869500		868500 Econ.		Ski Leg	2
21	792500	792500	792500	792500	Ski Spring Attaching Saddle	2
22	100002	100002	100002	100002	Ski Spring Saddle Bolt 3/8-24x3-1/4	2
23	110620	110620	110620	110620	Ski Spring Assembly Bolt 3/8-24x1-1/4	4
24	102706	102706	102706	102706	Ski Spring Assembly Locknut 3/8-24	4
25		791700	791700	791700	Ski Spring Short Leaf	2
26	791600	791600	791600	791600	Ski Spring Secondary Leaf	2
27	791500	791500	791500	791500	Ski Spring Main Leaf	2
28	791800	791800	791800	791800	Ski Spring Reinforcement Plate	2
29	990500	② R/B 090597 Stinger	990500	990500	Ski-Only	2
30	152001	152001	152001	152001	Spring Att'ch'g Clevis Pin Long 5/16x3-1/4	2
31	152002	152002	152002	152002	Spring Att'ch'g Clevis Pin Short 5/16-2-3/4	2
32	140412	140412	140412	140412	Clevis Cotter Pin 1/8 x 1	4
33	791000	791000	791000	791000	Ski Wear Runner	2
34	102605	102605	102605	102605	Ski Wear Runner Nut 1/4-20	2

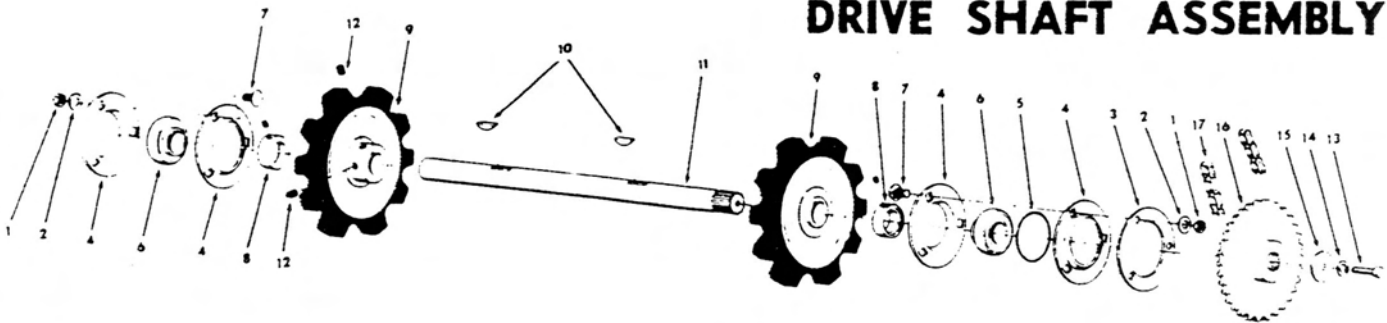
TRACK



- 1 - No Longer Available (NLA)
- 2 - Replaced By (R/B)
- 3 - See Above Illustration
- 4 - Can Also Use

PART NO.	PART NAME	NO. USED
① 835500	Molded Rubber Drive Track - Mark II Std	1
① 736000	Molded Rubber Drive Track - Mark III	1
① 936500	Molded Rubber Drive Track - Mark IV	1
① 035000	Molded Rubber Drive Track - Mark I	1
035510	Polyurathane Drive Track-Mark II Stinger Staggered Lug	1

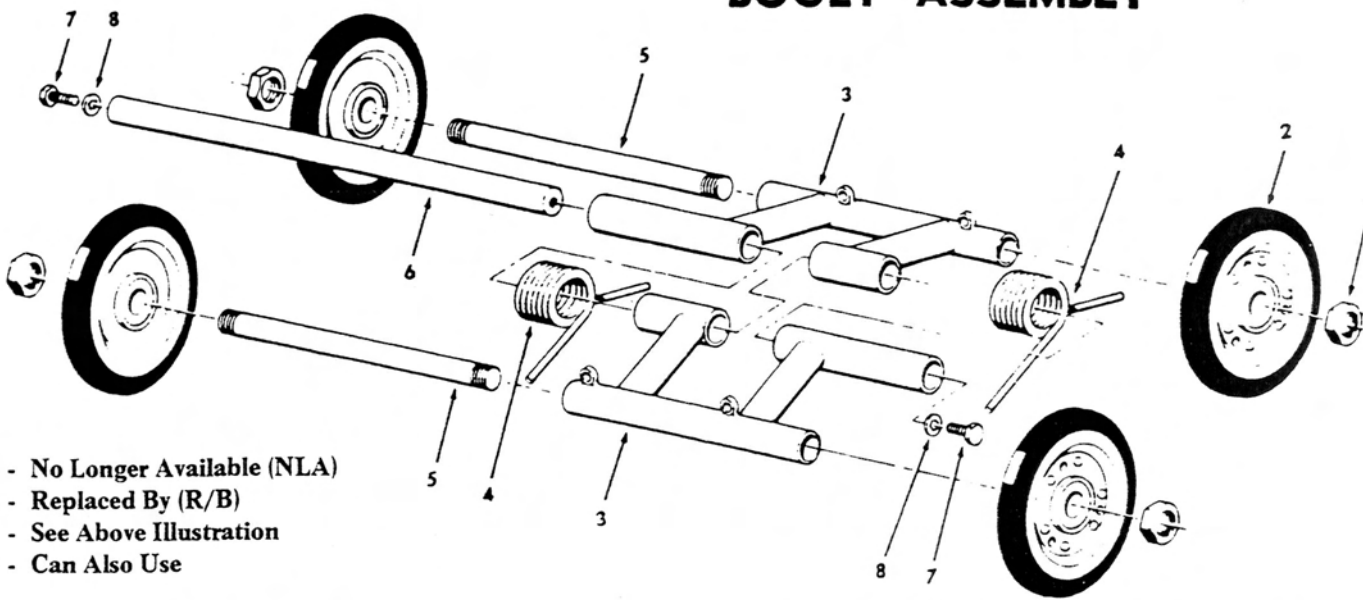
DRIVE SHAFT ASSEMBLY



NO.	PART NO.			PART NAME	NO. USED
	MARK I & II	MARK III	MARK IV		
1	102705	102705	102705	Retainer Attaching Locknut 5/16-24	6
2	105006	105006	105006	Retainer Attaching Flatwasher 5/16	6
3	741500	741500	741500	Front Drive Shaft Retainer Seal Gasket	1
4	741400	741400	741400	Front Drive Shaft Bearing Retainer	4
5	787400	787400	787400	Front Drive Shaft "O" Ring Seal	1
6	741300	741300	741300	Front Drive Shaft Roller Bearing	2
7	130510	130510	130510	Retainer Att'ch'g Carriage Bolt 5/16-24x5/8	6
8	741200	741200	741200	Frt Drive Shaft Locking Collar w/Set Screw	2
9	742600	742600	742600	Front Drive Rubber Sprocket	2
10	140506	140506	140506	Frt Drive Socket Set Screw 5/16x 3/8	4
11**	940200 (II only)	940100	940300	Front Drive Shaft	1
12	160021	160021	160021	Drive Half Moon Key	2
13	110516	110516	110516	Front Drive Shaft End Bolt 5/16-24x 1	1
14	105205	105205	105205	Front Drive Shaft Lockwasher 5/16	1
15	105503	105503	105503	Front Drive Shaft Flat Washer 11/32	1
16	940700	940700	940690	Lower Steel Sprocket	1
17	989698	989698	989698	#40 Drive Chain- 65 link	1
*	989800	989800	989800	RC 40 Offset Link	1
*	989810	989810	989810	RC40 Master Link	1
9	MKII Poly 042610				1

*Not Shown **040000 MK I & MK II O. C.

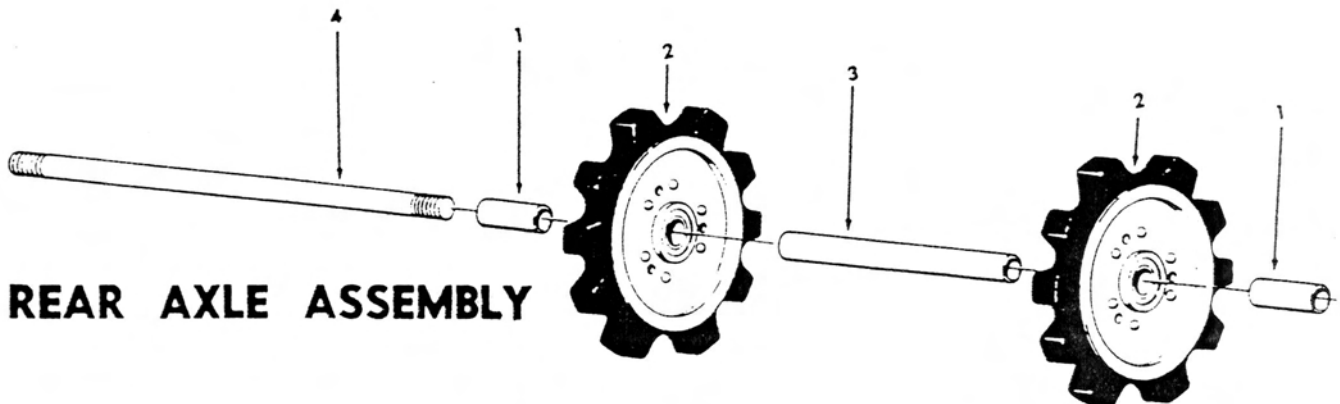
BOGEY ASSEMBLY



- 1 - No Longer Available (NLA)
- 2 - Replaced By (R/B)
- 3 - See Above Illustration
- 4 - Can Also Use

No.	PART NO.					PART NAME	NO. USED
	Mark I	Mark II	Slinger Poly	Mark III	Mark IV		
1	102810	102810	102810	102810	102810	Bogey Cross Shaft Locknut 5/8-11	4
2	749800	749800	749800	749300	749800	Bogey Wheel	4
3		846700				Bogey Tubing	2
4		849200				Bogey Spring	2
5		848300				Bogey Cross Shaft	2
6	947500	947500	947500	947600	947700	Bogey Suspension Shaft	1
7	110612	110612	110612	110612	110612	Bogey Suspension Att'h'g Bolt 3/8-24x 3/4	2
8	105206	105206	105206	105206	105206	Attaching Internal Lockwasher 3/8	2
*	100612	100612	100612	100612	100612	Bogey Suspension Att'h'g Bolt 3/8-16x3/4	2
*				749300	749300	Bogey Spring - L. H.	1
*				749400	749400	Bogey Spring - R. H.	1
*	046400		046410	746800	947100	Bogey Tubing - L. H.	1
*	046500		046510	746900	947200	Bogey Tubing - R. H.	1
*	046600		046610	747000	747000	Bogey Tubing - Center	1
*	048310		048330	748500	748500	Bogey Cross Shaft - Short	1
*	048320		048340	748400	948600	Bogey Cross Shaft - Long	1

* Not Shown

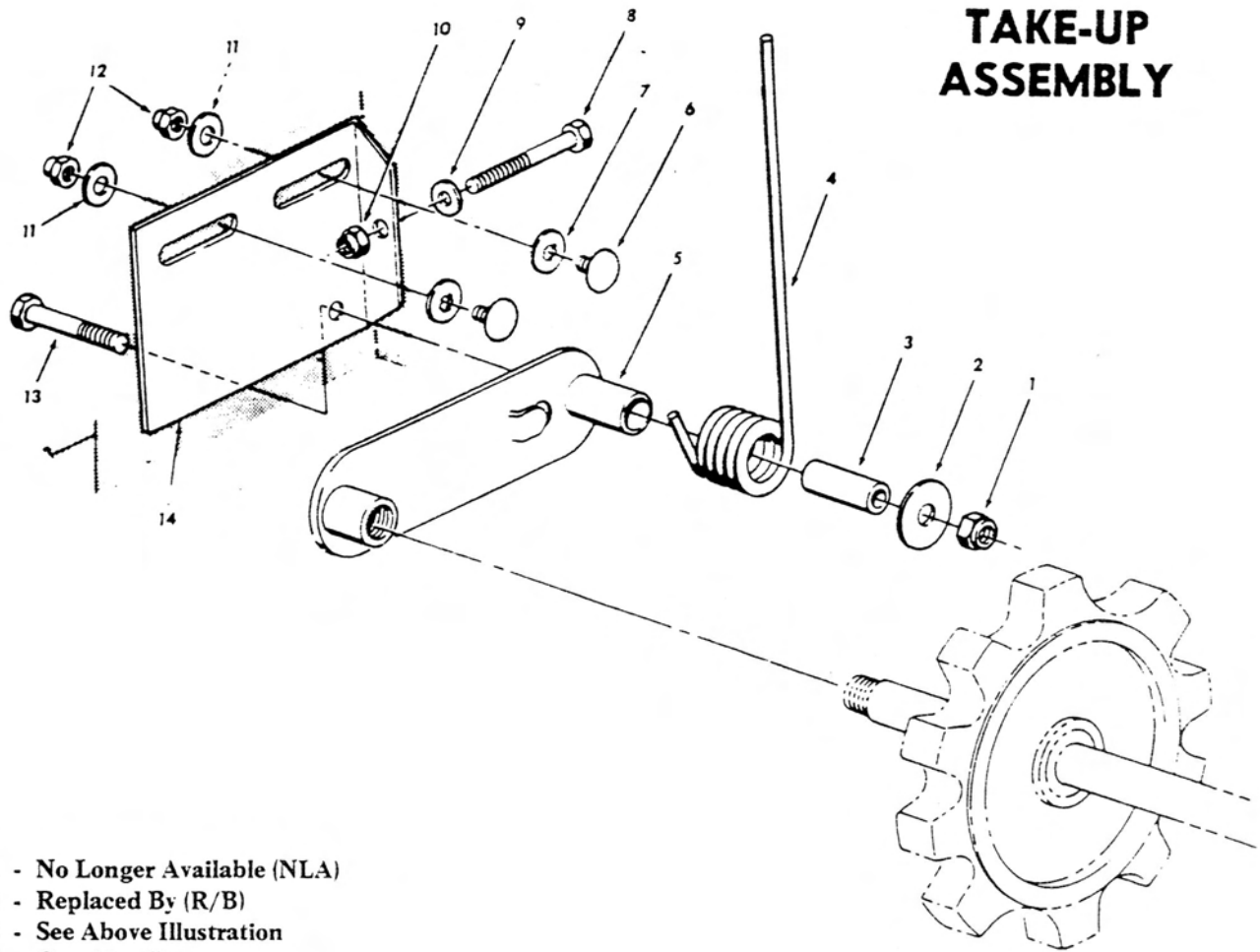


REAR AXLE ASSEMBLY

NO.	PART NO.			PART NAME	NO. USED
	Outside Link Mark I & II	Mark Poly II	Mark IV		
1	844200	044210	944400	Rear Idler Spacer Tubing - Short	2
2	743500	043510	743500	Rear Idler Sprocket	2
3	043800	043710	944100	Rear Idler Spacer Tubing - Long	1
4	743000	743000	943200	Rear Idler Shaft	1
*	743700			Rear Idler Wheel	1

* Not Shown

TAKE-UP ASSEMBLY

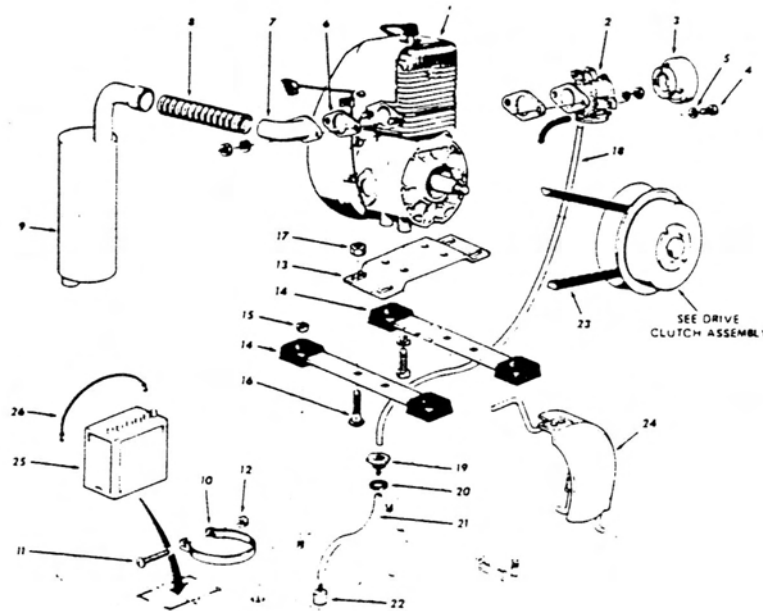


- 1 - No Longer Available (NLA)
- 2 - Replaced By (R/B)
- 3 - See Above Illustration
- 4 - Can Also Use

NO.	PART NO.	PART NAME	NO. USED
1	102706	Rear Suspension Plate Locknut-3/8-24	1
2	105502	Rear Suspension Plate Flatwasher	1
3	045400	Rear Suspension Plate Bushing	1
*	745800	Rear Suspension Spring - L. H.	1
4	745900	Rear Suspension Spring - R. H.	1
6	130510	Adjusting Plate Att'h'g Carriage Bolt 5/16-24x 5/8	2
7	105206	Adjusting Plate Star Washer 3/8	2
8	110548	Track Adjustment Bolt 5/16-24x 3	1
9	105004	Track Adjustment Bolt Washer	1
10	102705	Track Adjustment Locknut 5/16-24	1
11	105005	Adjusting Plate Flat Washer 1/4	2
12	102505	Adjusting Plate Att'h'g Cap Nut 5/16-24	2
13	110636	Rear Suspension Bushing Bolt 3/8-24x 2 1/4	1
*	744500	Adjusting Plate - L. H.	1
14	744600	Adjusting Plate- R. H.	1
5	ⓐ 045315	Rear Suspension Plate - L. H. R/B 045315	1
5	ⓐ 045316	Rear Suspension Plate - R. H. R/B 045316	1
5	ⓐ 045315	Rear Suspension Plate- L. H. Poly Track Can Use 045315	1
5	ⓐ 045316	Rear Suspension Plate R. H. Poly Track R/B 045316	1

* Not Shown

ENGINE MOUNTING



- 1 - No Longer Available (NLA)
- 2 - Replaced By (R/B)
- 3 - See Above Illustration
- 4 - Can Also Use

NO.	PART NO.				PART NAME	NO. USED
	MARK I	MARK II	MARK III	MARK IV		
1	① 970100				Engine- Sachs 280M(Manual Start)	1
*		① 970200	① 970200		Engine - Sachs 290M(Manual Start)	1
*		① 970300	① 970300		Engine - Sachs 290E (Electric Start)	1
*		① 970400	① 970400	① 970400	Engine - Sachs 370M(Manual Start)	1
*		① 970500	① 970500	① 970500	Engine- Sachs 370E (Electric Start)	1
					Contact Dealer on Other Engines	
2	977800	977800	977800	977800	Carburetor HR19A(275CC Engines)	1
*	① 077990	① 077990	① 077990	① 077990	Carburetor HR95A NLA thru Scorpion	1
		① 977900	① 977900	① 977900	"HD"Carburetors Standard on Twin Cylinder Engines & Optional on Single Cylinder	
3	978200	978200	978200	978200	Air Cleaner (HD Carburetor)	1
*	978100	978100	978100	978100	Air Cleaner (HR Carburetor)	1
4	100408	100408	100408	100408	Air Cleaner Mounting Bolt 1/4-20x 1/2	3
5	105104	105104	105104	105104	Air Cleaner Mounting Lockwasher 1/4	3
7	① 976600	① 976600			Exhaust Flange- 275CC & 297CC Sachs	1
7**		① 976700	① 976700	① 976700	Exhaust Flange	1
8**	② 909017	② 909017	② 909017	② 909017	Muffler Exhaust Flex Pipe 1 9/16" R/B 909017	1
9**	① 875500	① 075595	① 075595	① 075595	Muffler	1
10	① 976000	876100	876100	876100	Muffler Clamp	1
11	132005	132005	132005	132005	Muffler Clamp Bolt 1/4-20x 2	1
12	103404	103404	103404	103404	Muffler Clamp Nut 1/4-20	1
13**	972800	972800	972800		Adjustable Motor Mount(277-297 Sachs)	1
13		972900	972900	972900	Adjustable Motor Mount(370CC Sachs)	1
14	074010	074010	074110	074110	Motor Mount Strap	2
15	102606	102606	102606	102606	Motor Mount Strap Locknut 3/8-16	4
16	130616	130616	130616	130616	Motor Mount Carriage Bolt 3/8-24x 3/4	4
17	102306	102306	102306	102306	Motor Mount Locknut 3/8-24	4
*	105501	105501	105501	105501	Motor Mount Flat Washer 3/8	4
18	170503	170503	170503	170503	Plastic Gas Line R/B 170522	1
19	② 874700	② 874700	② 874700	② 874700	Gas Line Adapter R/B 700532	1
20	874800	874800	874800	874800	Gas Line Adapter Gasket	1
21	170502	170502	170502	170502	Gas Line Inside Tank	1
22	875000	875000	875000	875000	Gas Line Filter	1
23	989900	989900	989900	989900	Drive Belt(Single Cylinder Engines)	1
24	953100	953100	953100	953100	Clutch Guard	1
25	979100	979100	② 979100	② 979100	Battery(Electric Start Only)	
26	979101	979101	979101	979101	Battery Hold Down Strap	1
*		979400	979400	② 979400	Battery Cable- Positive	1
*		② 979500	② 979500	② 979500	Battery Cable - Negative	1
*					Specify Model & Engine	1
					Electric Start Wiring Harness	1

*Not Shown **Specify Model and Engine