

BOMBARDIER

LTD/LTÉE

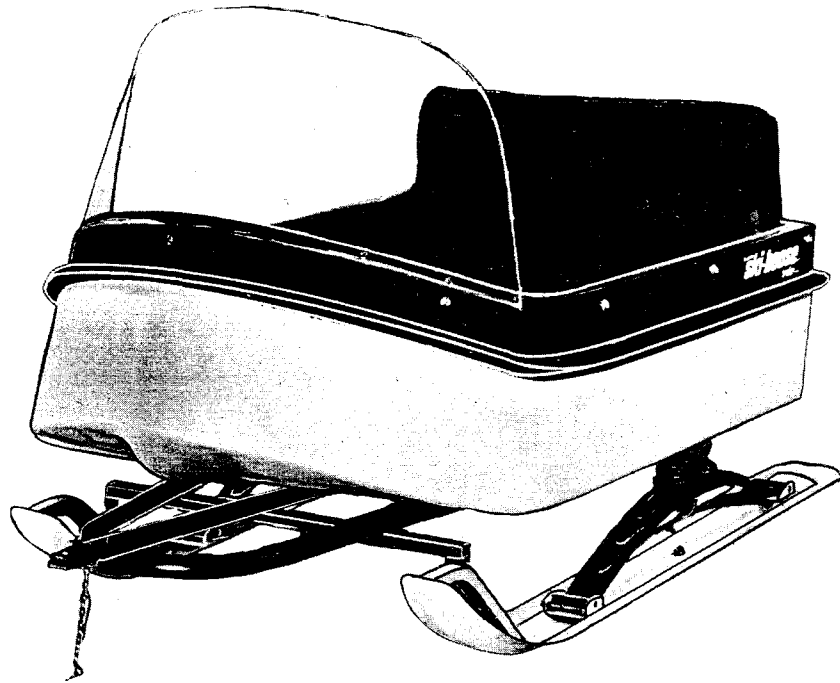
ski-boose

MK-I

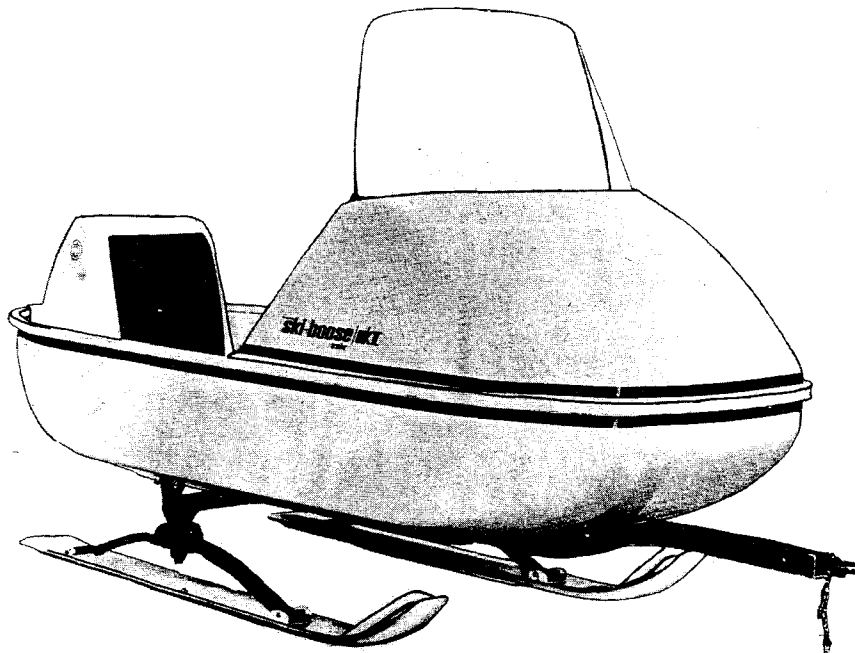
MK-II

**DIVISION SKI-BOOSE DIVISION
PARTS MANUAL
MANUEL /PIECES**

VALCOURT QUEBEC CANADA



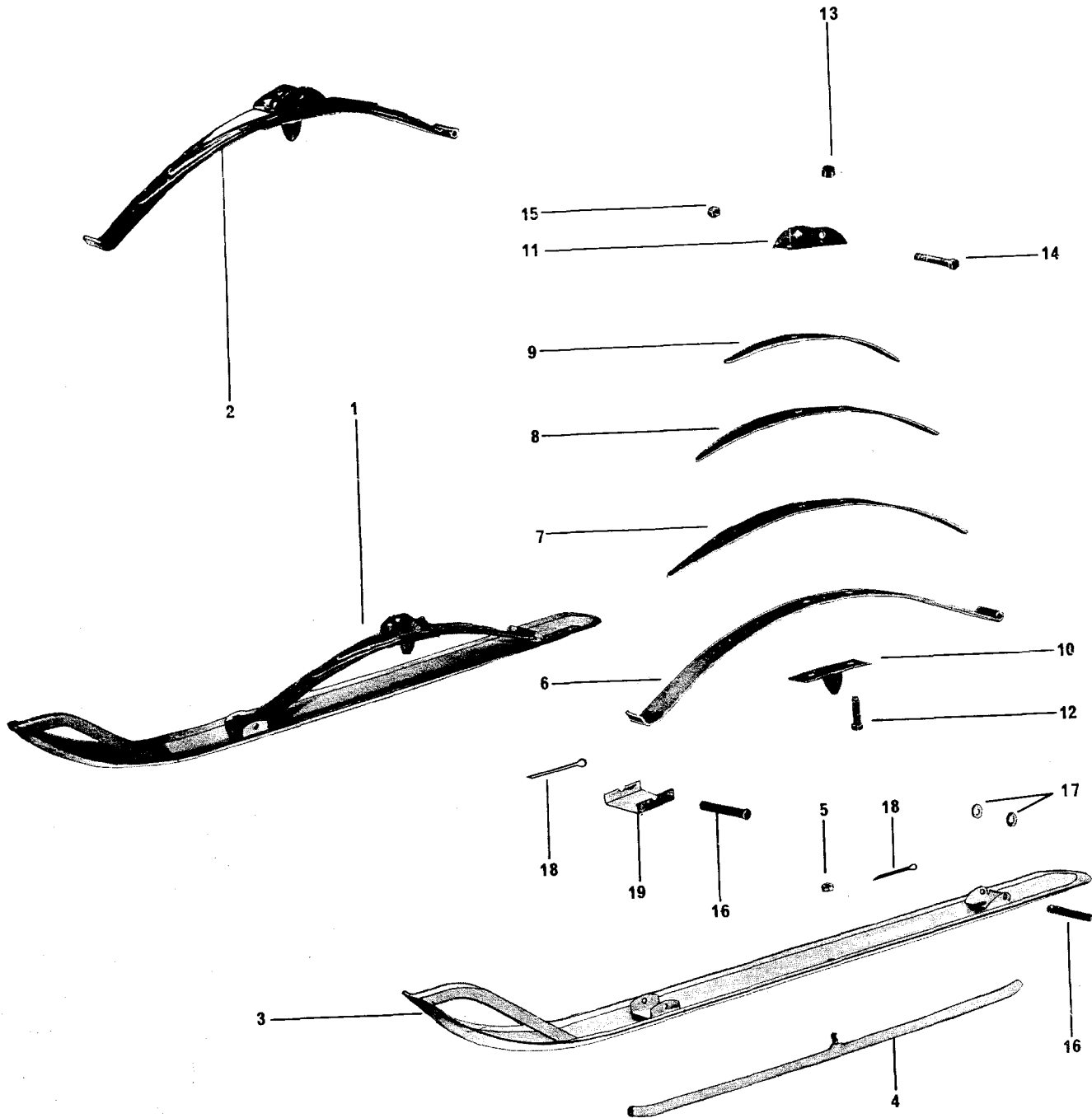
MK - I IBM 864 5001



MK - II IBM 864 5002

INDEX

DESCRIPTION	SECTION
TRACK.....	0
DRIVE	I
WHEEL	II
SUSPENSION.....	III
TRANSMISSION	IV
SKI	V
STEERING	VI
BRAKE	VII
THROTTLE	X
ENGINE & EXHAUST.....	XII
FUEL	XIII
ELECTRICAL	XV
BODY.....	XVII
CHENILLE	0
COMMANDE.....	I
ROUE.....	II
SUSPENSION.....	III
TRANSMISSION	IV
SKI	V
CONDUITE	VI
FREIN	VII
ACCÉLÉRATEUR	X
MOTEUR & ÉCHAPPEMENT	XII
ESSENCE.....	XIII
SYSTÈME ÉLECTRIQUE.....	XV
CHÂSSIS.....	XVII

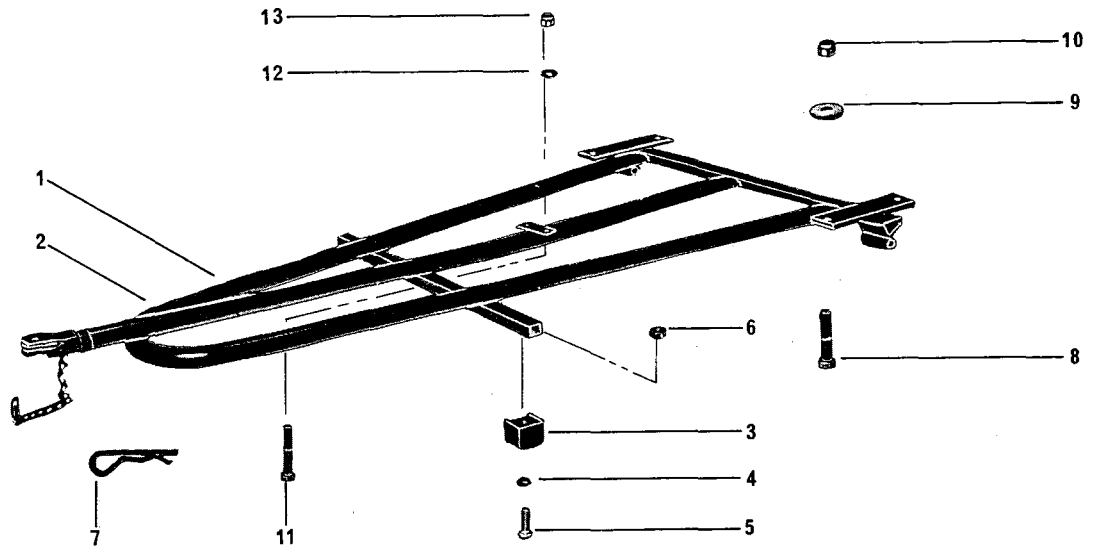


ITEM NO.	PART NO.	DESCRIPTION	QUANTITY		ITEM NO.	PART NO.	DESCRIPTION	QUANTITY	
			MK-1	MK-2				MK-1	MK-2
1	581 5003	R. H. Ski Ass'y	1	1	10	570 0502	Rebound Leaf and Stop Bonding	1	1
1	581 5004	L. H. Ski Ass'y	1	1	11	505 0037	Spring Coupler	1	1
2	582 5004	R. H. Spring Ass'y	1	1	12	309 8026	Cap Screw	2	2
2	582 5005	L. H. Spring Ass'y	1	1	13	386 6024	Nut	2	2
3	550 1019	Ski Runner	1	1	14	309 8007	Cap Screw	1	1
4	505 0002	Runner Shoe	1	1	15	386 6024	Nut	1	1
5	387 2022	Nut	1	1	16	505 0034	Retainer Pin	1	2
6	505 0018	Main Leaf Spring	1	1	17	505 0035	Washer	2	2
7	505 0014	First Auxiliary Leaf Spring	1	1	18	371 0011	Cotter Pin	2	2
8	505 0013	Auxiliary Leaf Spring	1	1	19	505 0033	Spring Slider Cushion	1	1
9	505 0015	Auxiliary Leaf Spring	1	1					

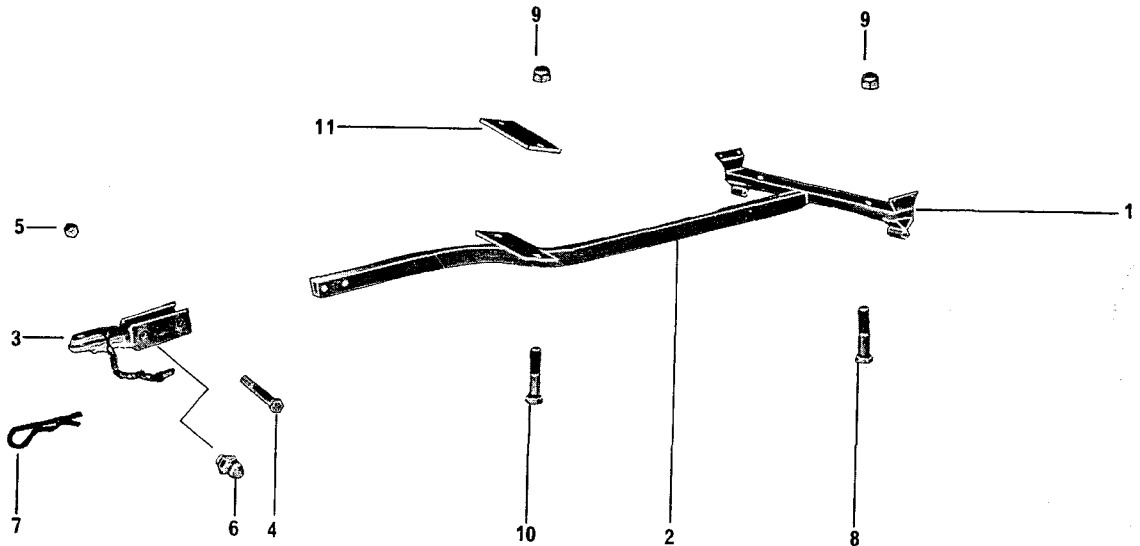
(FRAME)

BODY

(CHASSIS)



ITEM NO.	PART NO.	DESCRIPTION	QUANTITY MK-1	ITEM NO.	PART NO.	DESCRIPTION	QUANTITY MK-1
1	580 5004	Frame Ass'y	1	8	300 0087	Cap Screw	4
2	581 5005	Frame	1	9	391 0025	Flat Washer	4
3	570 1802	Bumper Stop	2	10	386 6024	Nut	4
4	399 9001	Washer	2	11	300 0007	Cap Screw	2
5	320 1063	Machine Screw	2	12	391 0021	Flat Washer	2
6	387 3013	Nut	2	13	386 6019	Nut	2
7	414 0322	Hair Pin Cotter	1	14	550 1016	Swivel Attachment	1

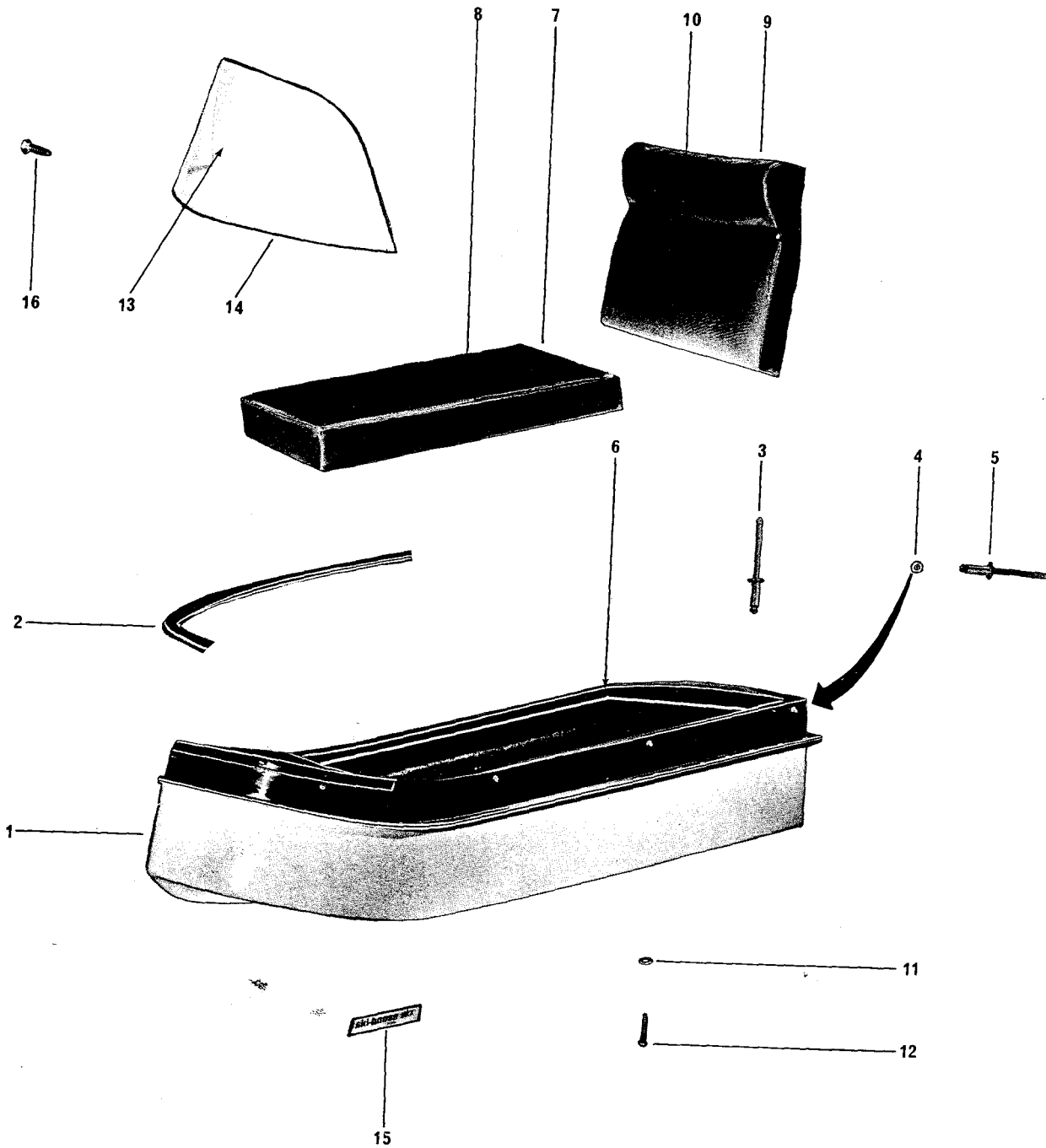


ITEM NO.	PART NO.	DESCRIPTION	QUANTITY MK-2	ITEM NO.	PART NO.	DESCRIPTION	QUANTITY MK-2
1	580 5006	Frame Ass'y	1	7	414 0322	Hair Pin Cotter	1
2	518 0160	Frame	1	8	300 0041	Cap Screw	6
3	550 1016	Swivel Attachment	1	9	386 6022	Nut	8
4	300 0087	Cap Screw	1	10	300 0043	Cap Screw	2
5	386 6024	Nut	1	11	518 0161	Plate	1
6	408 2001	Grease Fitting	1				

(CABIN)

BODY

(CABINE)



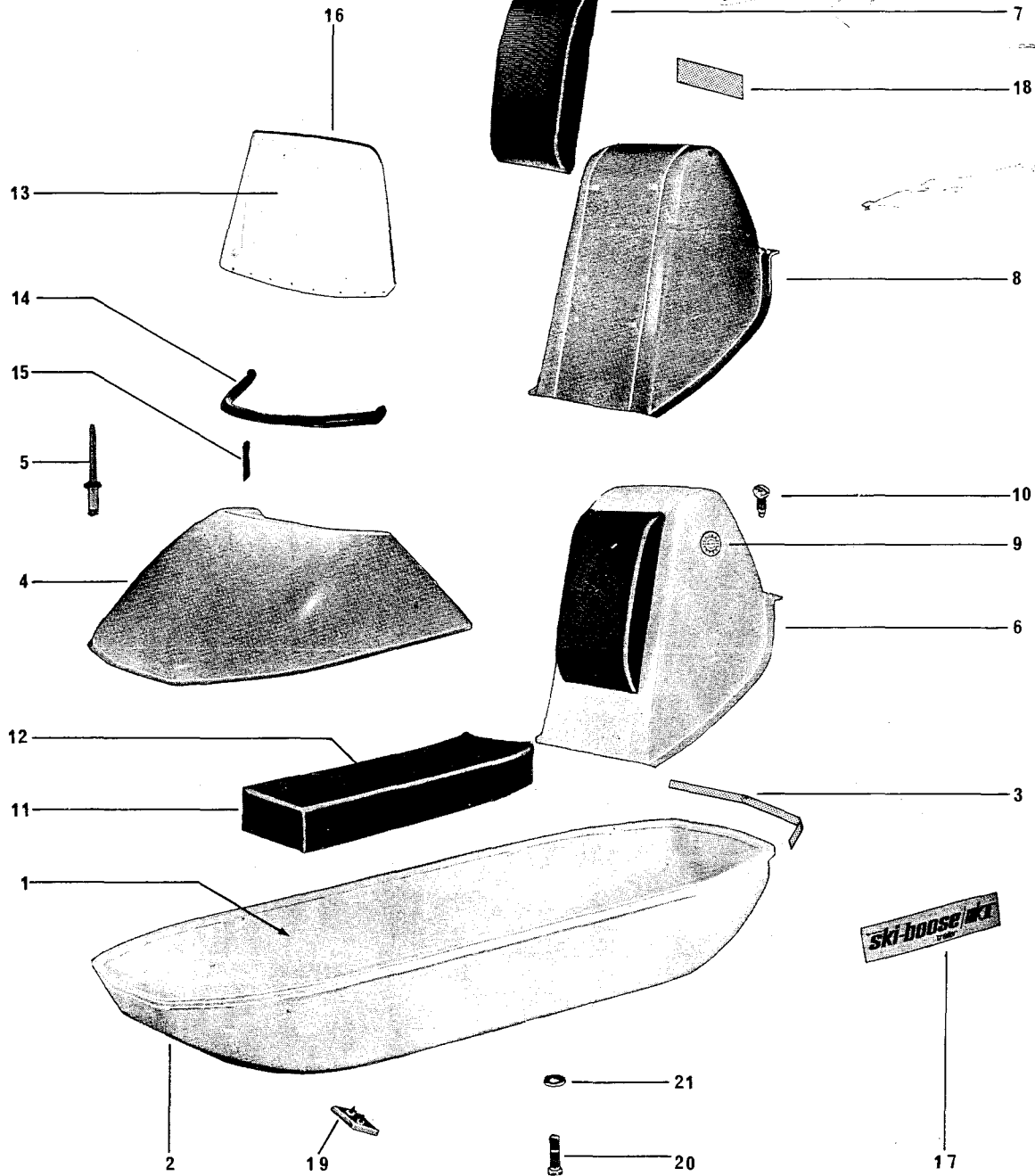
ITEM NO.	PART NO.	DESCRIPTION	QUANTITY MK-1	ITEM NO.	PART NO.	DESCRIPTION	QUANTITY MK-1
1	580 5010	Shell Ass'y	11	9	414 0324	Backrest	1
2	570 1727	Rubber Moulding	1	10	414 0347	Backrest Leatherette	1
3	390 4016	Pop Rivet	38	11	391 0017	Flat Washer	6
4	414 0348	Snaps	9	12	366 4151	Wood Screw	6
5	390 4001	Pop Rivet	9	13	414 0311	Windshield	1
6	414 0224	Sylvatrim with Glue (Mult. 12'')	-	14	414 0255	Moulding (Mult. 12'')	-
7	414 0325	Seat	1	15	414 0331	Label Ski-Boose Mk-1	2
8	414 0346	Seat Leatherette	1	16	363 0073	Screw	9

BOMBARDIER LTD./LTÉE

(CABIN)

BODY

(CABINE)



ITEM NO.	PART NO.	DESCRIPTION	QUANTITY MK-2	ITEM NO.	PART NO.	DESCRIPTION	QUANTITY MK-2
1	580 5007	Shell Ass'y	1	12	414 0353	Seat Leatherette	1
2	518 0158	Shell	1	13	414 0254	Windshield	1
3	414 0343	Strip (Mult. 12")	-	14	570 1720	Windshield Anchor Strip	1
4	571 1758	Cab	1	15	517 0142	Windshield Anchor Tab	9
5	390 4016	Pop Rivet	23	16	414 0255	Moulding (Mult. 12")	-
6	580 5012	Backrest Ass'y	1	17	414 0332	Label Ski-Boose MK-2	2
7	414 0330	Covering and Foam	1	18	410 9043	Reflector	1
8	571 1759	Backrest Housing	1	19	570 1804	Bumper Pad	2
9	414 0248	Bombardier Crest	2	20	300 4001	Cap Screw	4
10	362 7073	Screw	5	21	391 0021	Flat Washer	4
11	414 0328	Seat Ass'y	1				

NOTES