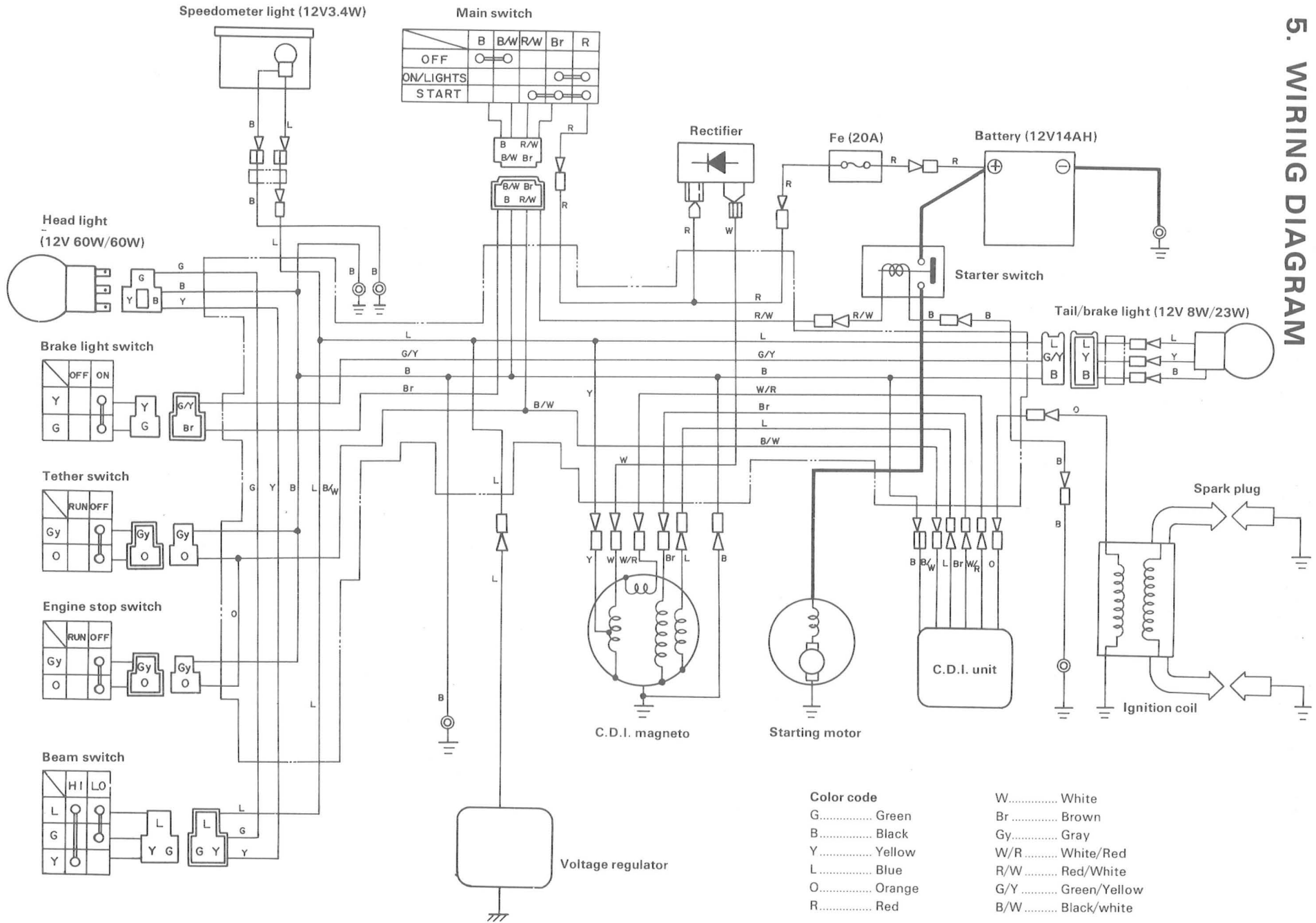


5. WIRING DIAGRAM



-11-